

## Model 18 (PR2) 22.2 mm Diameter, 15 Turn Dial



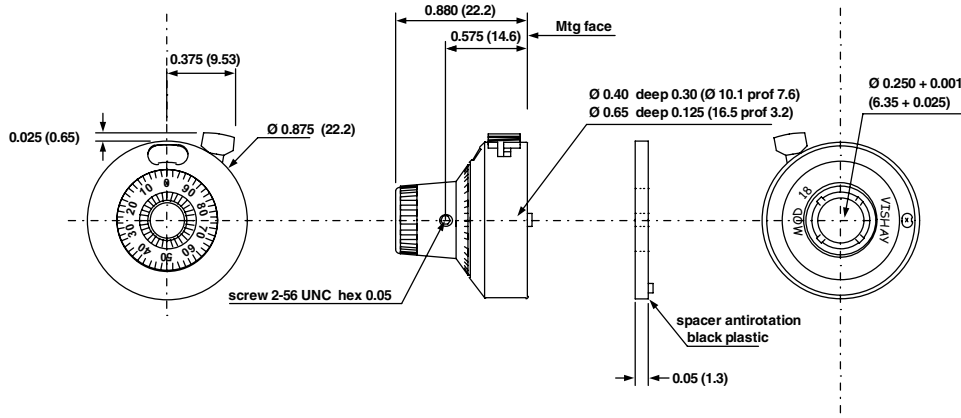
**FEATURES**

- No backlash
- Compact-requires minimal panel space (22.2 mm diameter requirement)
- For use with precision potentiometers or other rotating devices, up to 15 turns
- Designed for metal shaft
- High force “Click Brake”
- Black color on request



MECHANICAL SPECIFICATIONS	
Accepts shaft diameter	6.35 mm (0.250 in.)/6 mm/3.17 mm (0.125 in.)/3 mm
Number of turns	0 to 15
Dial division	50 per turn
Torque with brake engaged	5 oz-in. (350 gr. - cm) min.
Markings	Black or satin chrome
Weight	15 gr.
Set screw	UNC 2-56
Hex key size	1.27 mm (0.05 in.)
Bushing extension beyond panel	6.35 mm (0.250 in.) maximum
Shaft extension beyond panel	18.1 mm (0.710 in.) minimum 22.2 mm (0.875 in.) maximum

**DIMENSIONS** in millimeters (inches)



ORDERING INFORMATION/DESCRIPTION				
18	A	11	B010	e
MODEL	SHAFT DIAMETER ACCOMODATION AND FIXINGS	FINISH	PACKAGING	LEAD FINISH
	A 1/4" Dia. shaft - 1 set screw B 6 mm metric bore - 1 set screw C 1/8" Dia. shaft - 1 set screw D 3 mm metric bore - 1 set screw	11 Satin chrome, black markings (standard) 21 Black chrome, white markings 41 Satin chrome, white markings		
Example: 18 - A - 11				

SAP PART NUMBERING GUIDELINES									
1	8	A	1	1	B	1	0		
MODEL		SHAFT DIAMETER	FINISH		PACKAGING				



## Notice

Specifications of the products displayed herein are subject to change without notice. Vishay Intertechnology, Inc., or anyone on its behalf, assumes no responsibility or liability for any errors or inaccuracies.

Information contained herein is intended to provide a product description only. No license, express or implied, by estoppel or otherwise, to any intellectual property rights is granted by this document. Except as provided in Vishay's terms and conditions of sale for such products, Vishay assumes no liability whatsoever, and disclaims any express or implied warranty, relating to sale and/or use of Vishay products including liability or warranties relating to fitness for a particular purpose, merchantability, or infringement of any patent, copyright, or other intellectual property right.

The products shown herein are not designed for use in medical, life-saving, or life-sustaining applications. Customers using or selling these products for use in such applications do so at their own risk and agree to fully indemnify Vishay for any damages resulting from such improper use or sale.