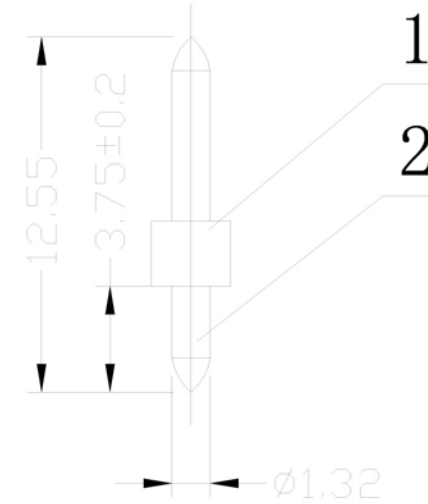
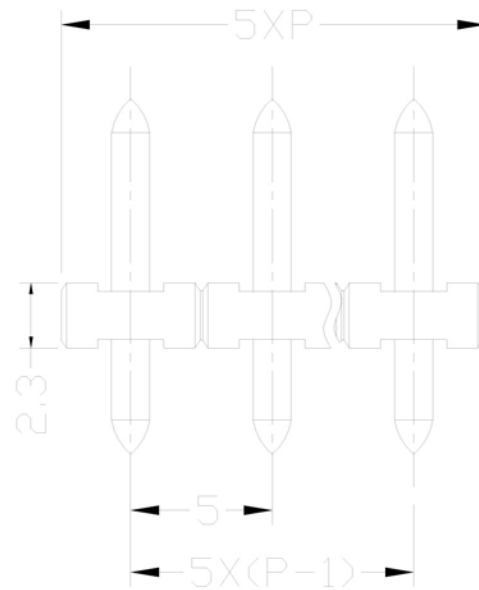


序号/RevNo.	名称/Title	文件编号/File No.
1	XY330塑件	
2	XY330V端子	



250V 10A

Poles: any poles

Pitch: 5mm&10mm

Pin Dimension: Ø1.32mm

Materials

Housing: PBT(30% Glass filled)

Solder Pin: Brass, Tin Plated.

审核/Checked by	批准/Approved by	未注公差 General Tolerance	
		x. ±0.2	x.' ±2'
		.x ±0.1	.x' ±1'
		.xx ±0.05	.xx' ±0.5'
		.xxx ±0.01	
备注/Remark		单位/Units: mm	