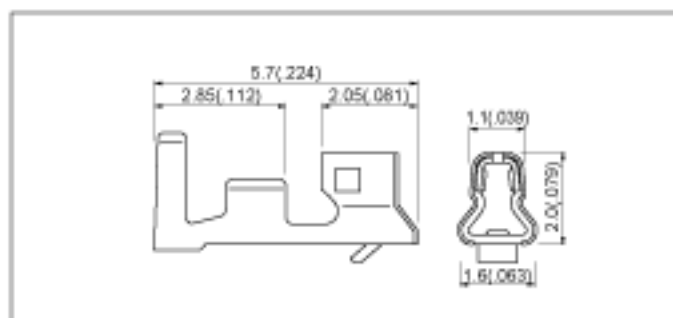


EH CONNECTOR

Contact



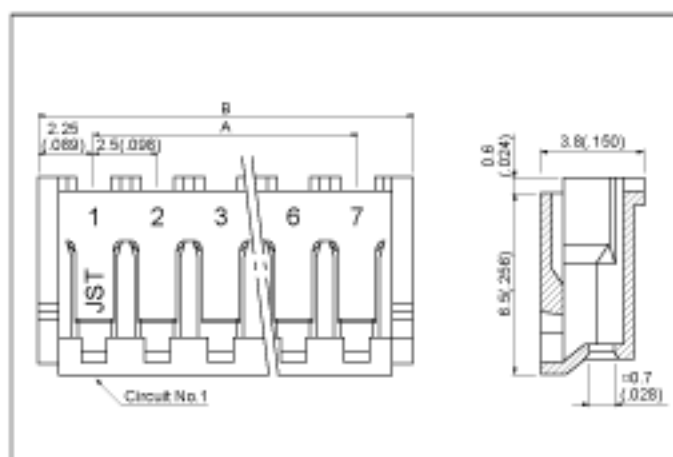
Model No.	Applicable wire			Qty / reel
	mm ²	AWG #	Insulation O.D. mm(in.)	
SEH-001T-P0.6	0.05 to 0.3	30 to 22	1.0 to 1.9 (039 to 075)	10,000
SEH-003T-P0.6L	0.032 to 0.08	32 to 28	0.5 to 1.1 (020 to 043)	

Material and Finish

Phosphor bronze, tin-plated

Note: 1. Contact JST for gold-plated contacts.
2. SEH-003T-P0.6L is not TÜV approved.

Housing



Circuits	Model No.	Dimensions mm(in.)		Qty / bag
		A	B	
2	EHR-2	2.5 (.098)	7.0 (.276)	1,000
3	EHR-3	5.0 (.197)	9.5 (.374)	1,000
4	EHR-4	7.5 (.295)	12.0 (.472)	1,000
5	EHR-5	10.0 (.394)	14.5 (.571)	1,000
6	EHR-6	12.5 (.492)	17.0 (.669)	1,000
7	EHR-7	15.0 (.591)	19.5 (.768)	1,000
8	EHR-8	17.5 (.689)	22.0 (.866)	1,000
9	EHR-9	20.0 (.787)	24.5 (.965)	1,000
10	EHR-10	22.5 (.886)	27.0 (1.063)	1,000
11	EHR-11	25.0 (.984)	29.5 (1.161)	1,000
12	EHR-12	27.5 (1.083)	32.0 (1.260)	1,000
13	EHR-13	30.0 (1.181)	34.5 (1.358)	1,000
14	EHR-14	32.5 (1.280)	37.0 (1.457)	1,000
15	EHR-15	35.0 (1.378)	39.5 (1.555)	1,000

Material

Nylon 66, UL94V-0, natural (white)

<For reference> As the color identification, the following alphabet shall be put in the underlined part.
For availability, delivery and minimum order quantity, contact JST.

ex. EHR-2-gg
(blank) ...natural (white)
K...black R...red TR...tomato red E...blue Y...yellow
L...lemon yellow M...green O...orange N...brown PL...purple
PK...pink H...gray LE...light blue FY...vivid yellow