

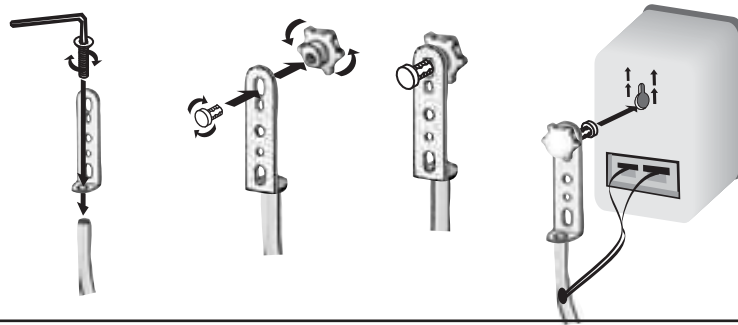
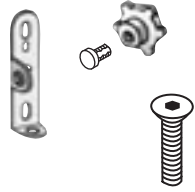


BYTER DESIGN

# STEALTH CRYSTAL HOME CINEMA SPEAKER STANDS

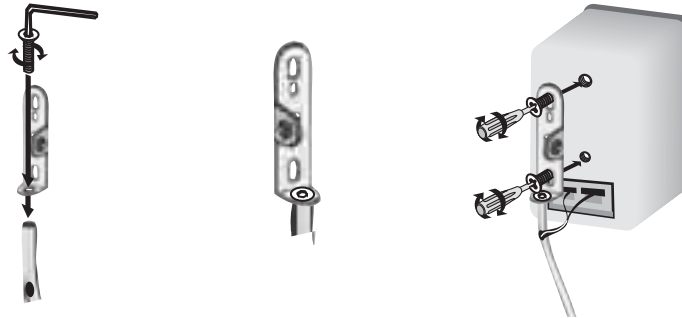
5b

- F3
- F4
- S1



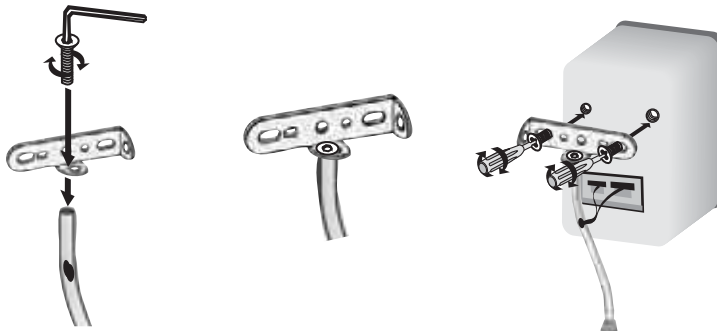
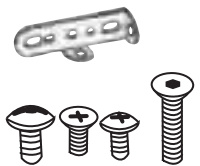
5c

- F3
- S1
- S2
- S3
- S4



5d

- F3
- S1
- S2
- S3
- S4



5e

- F1
- S1
- F7

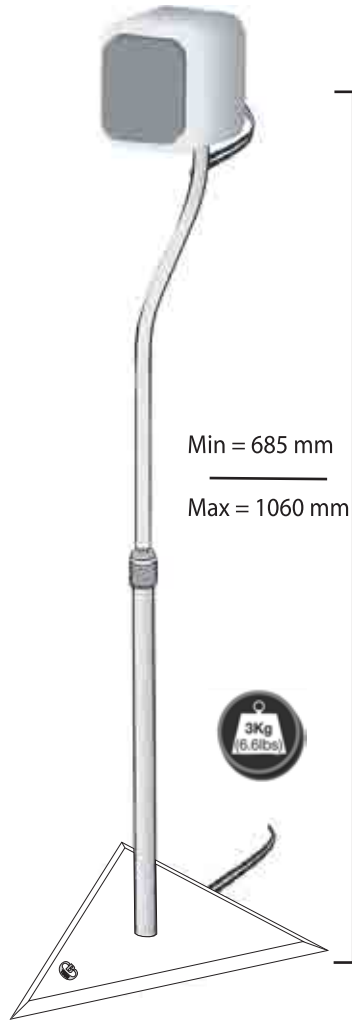




BT111

# STEALTH CRYSTAL HOME CINEMA SPEAKER STANDS

## ASSEMBLY AND INSTALLATION

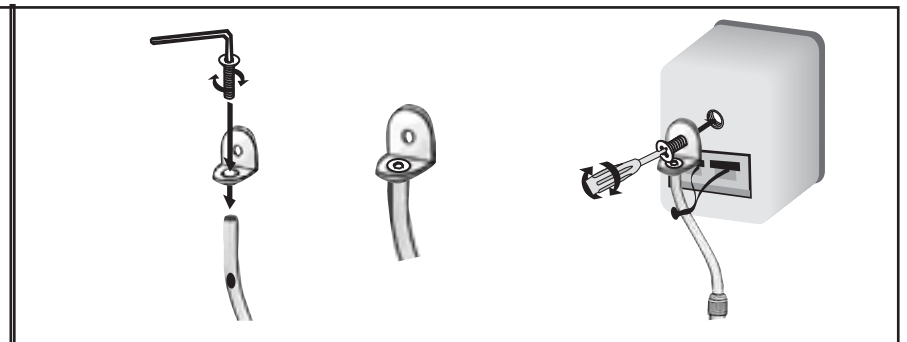
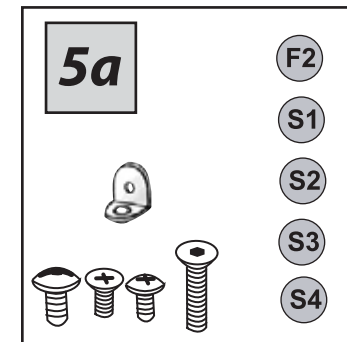
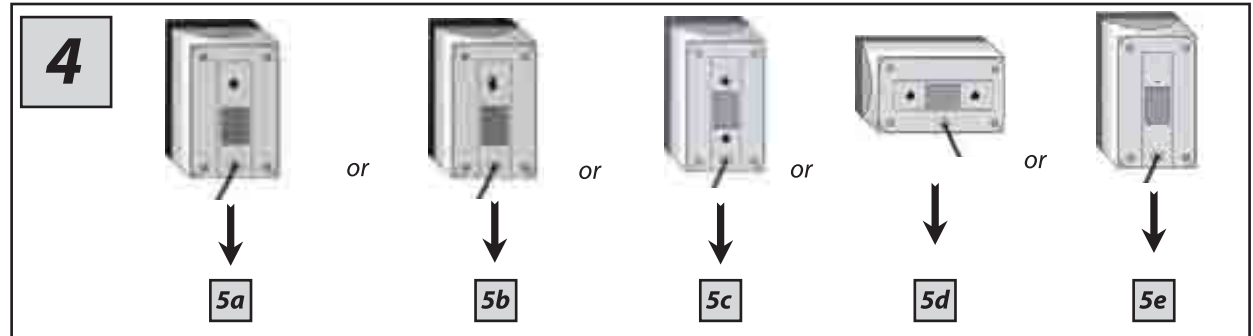
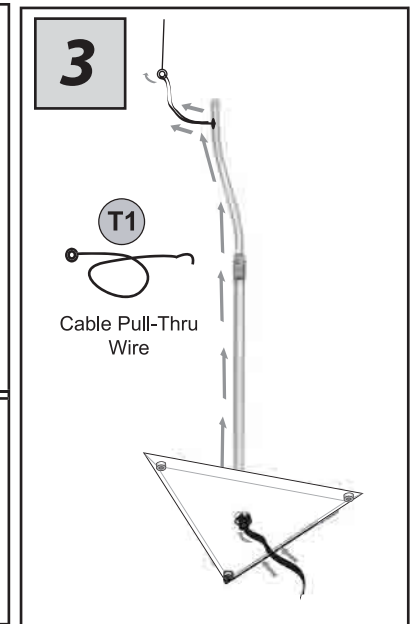
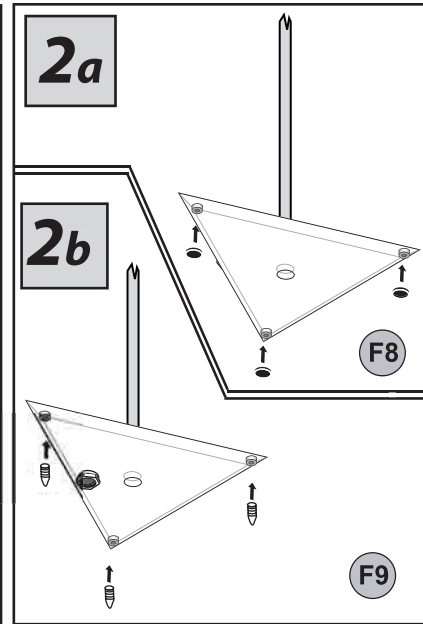
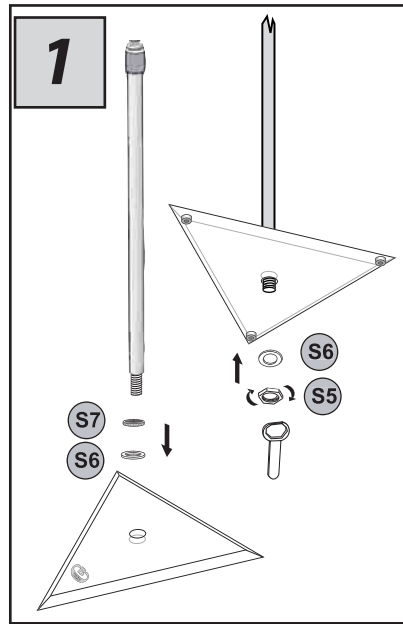


Min = 685 mm

Max = 1060 mm

### PARTS LIST

- S1** (x2)
- S2** (x4)
- S3** (x4)
- S4** (x4)
- S5** (x2)
- S6** (x4)
- S7** (x2)
- T1** (x1)
- T2** (x1)
- T3** (x1)
- F1** (x2)
- F2** (x2)
- F3** (x2)
- F4** (x2)
- F5** (x2)
- F6** (x2)
- F7** (x6)
- F8** (x6)
- F9** (x6)



THIS PACK CONTAINS 1 PAIR (2) LOUDSPEAKER STANDS.  
PLEASE KEEP THESE INSTRUCTIONS FOR FUTURE REFERENCE.

**CAUTION:** This floor stand is intended for use only with the maximum weights indicated. Use with heavier than the maximum weights indicated may result in instability causing possible injury