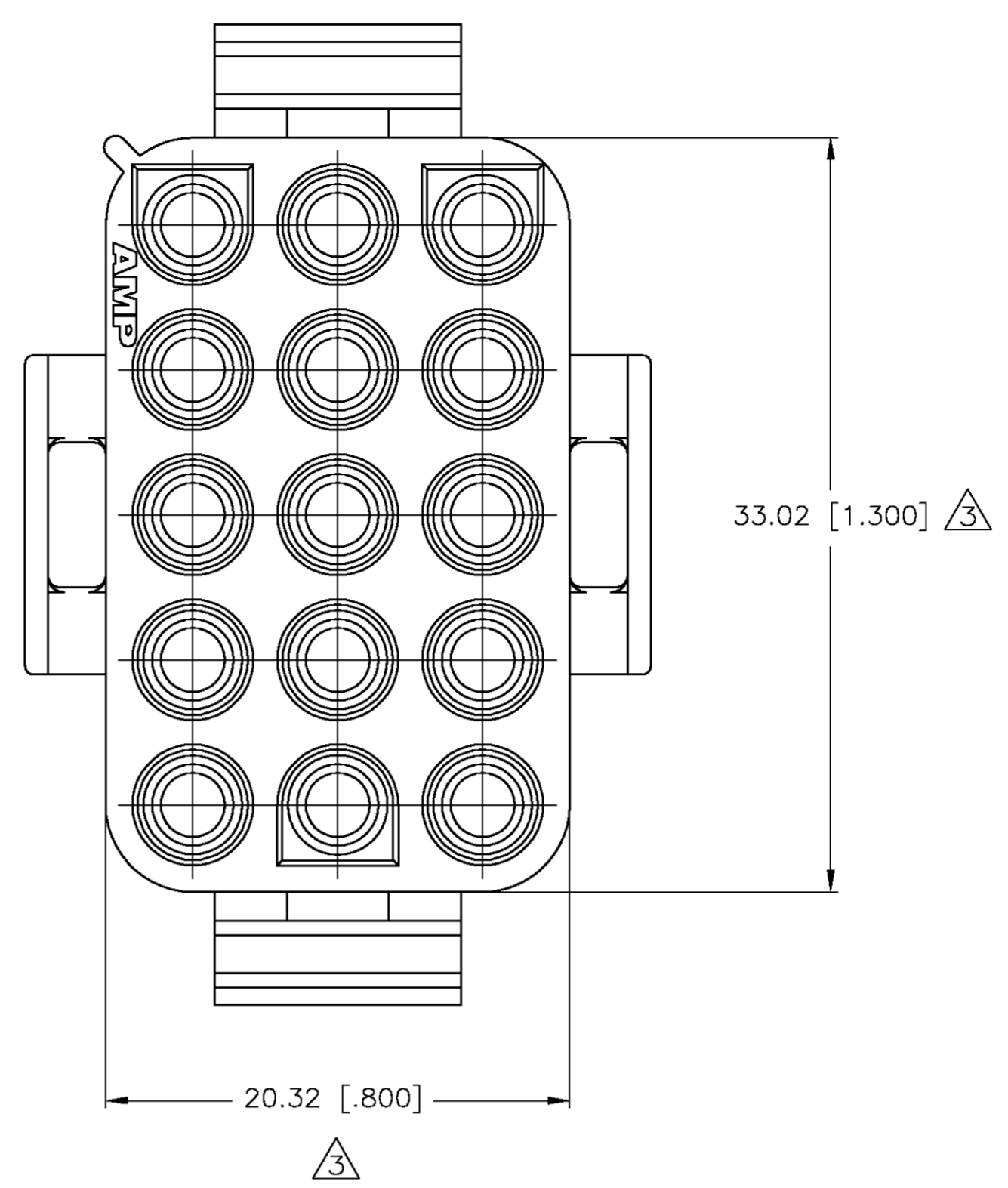
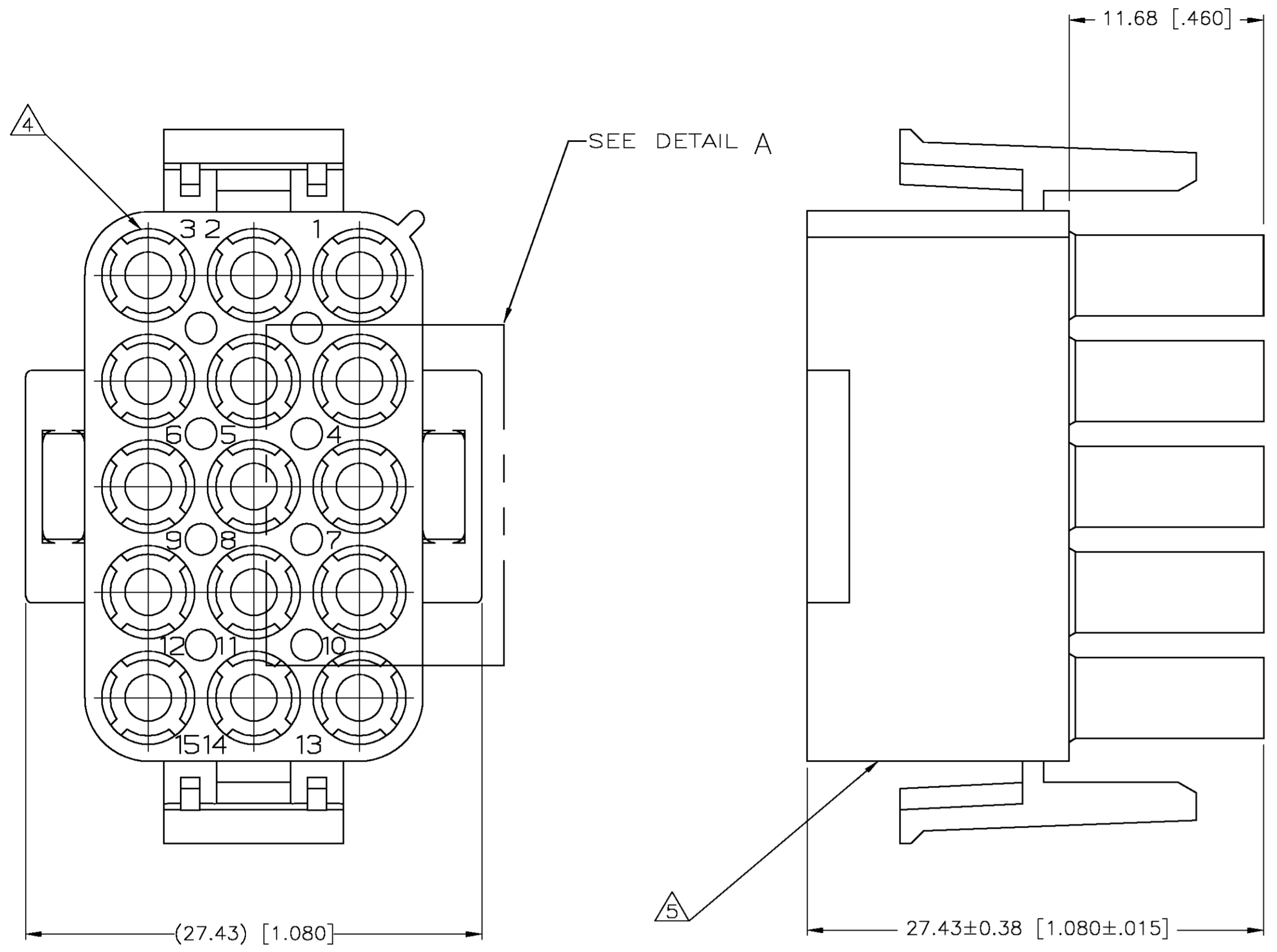
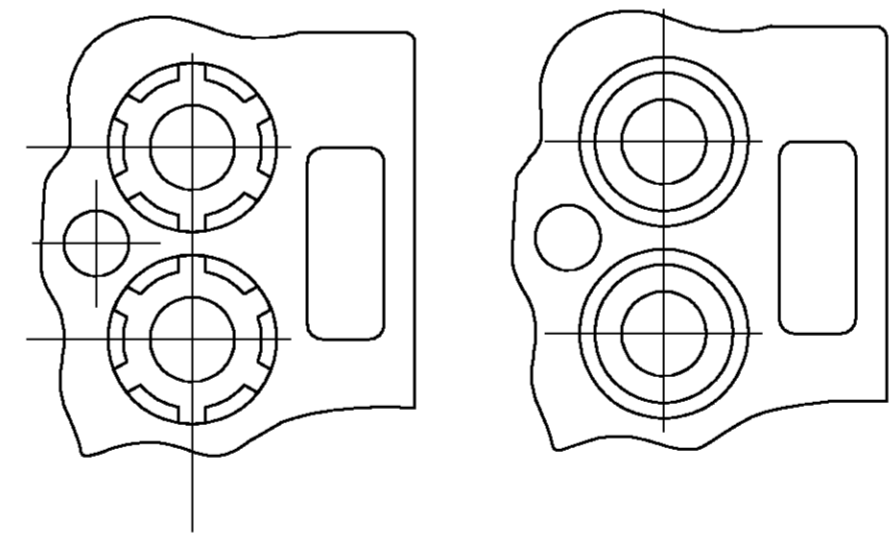
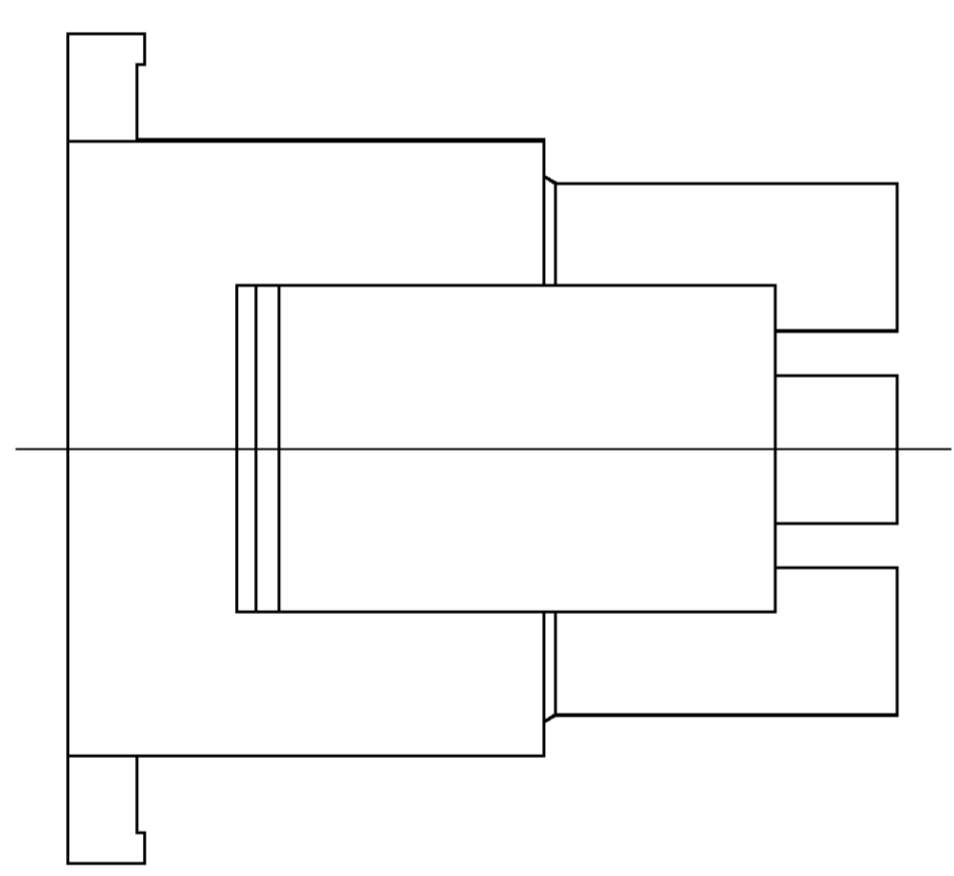


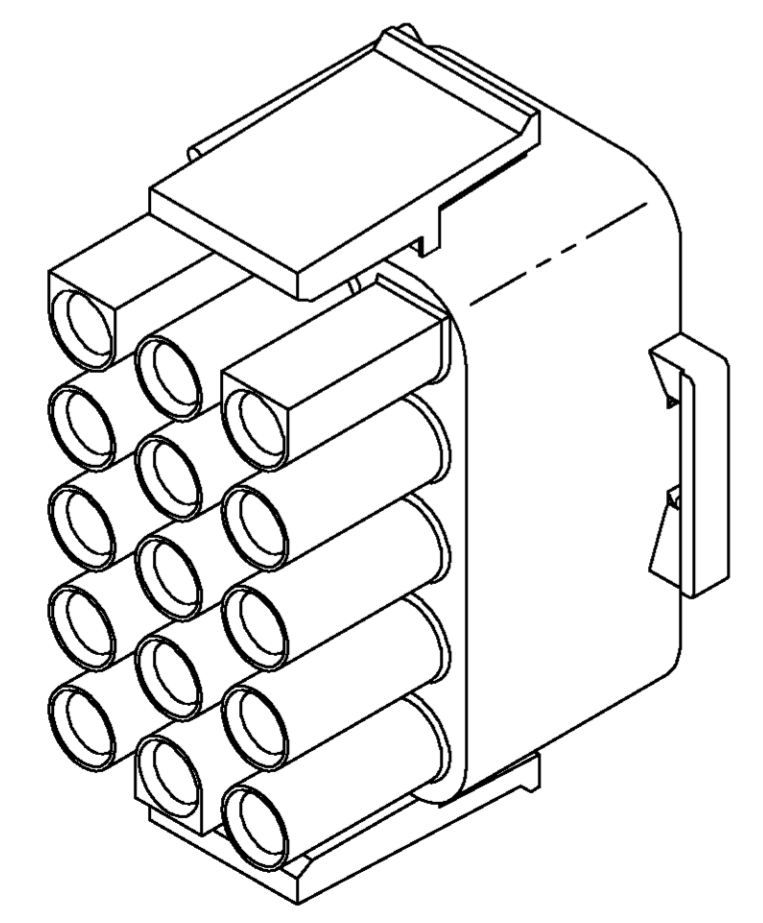
LOC		DIST		REVISIONS			
P	LR	DESCRIPTION	DATE	BY	APPD		
AL		REVISED PER 063B-0395-04	02SEP04	KW	SR		



- MATES WITH APPROPRIATE UNIVERSAL MATE-N-LOK™ CAP OR HEADER.
 - SMALL NICKS ARE PERMITTED ON THE CIRCUIT TOWERS WHICH COULD INCREASE THE INITIAL HOUSING MATING FORCE BY UP TO 4.4 NEWTONS [1.0 LBS]. NO INDIVIDUAL NICKED TOWER SHALL INCREASE THIS FORCE BY OVER 2.2 NEWTONS [.5 LBS].
- 3 DIMENSION INDICATED IS AS MOLDED. ADDITIONAL GROWTH DUE TO SUBSEQUENT MOISTURE ABSORPTION MAY OCCUR.
- 4 FOUR RIBS EQUALLY SPACED, NO SPECIFIC ORIENTATION. NO RIBS OR SIX RIBS EQUALLY SPACED, NO SPECIFIC ORIENTATION, OPTIONAL.
- 5 UNDERWRITERS RECOGNIZED COMPONENT LOGO AND CSA CERTIFICATION LOGO TO BE LOCATED ONCE EACH ON SIDE OF HOUSING.



DETAIL A
OPTIONAL CONSTRUCTIONS



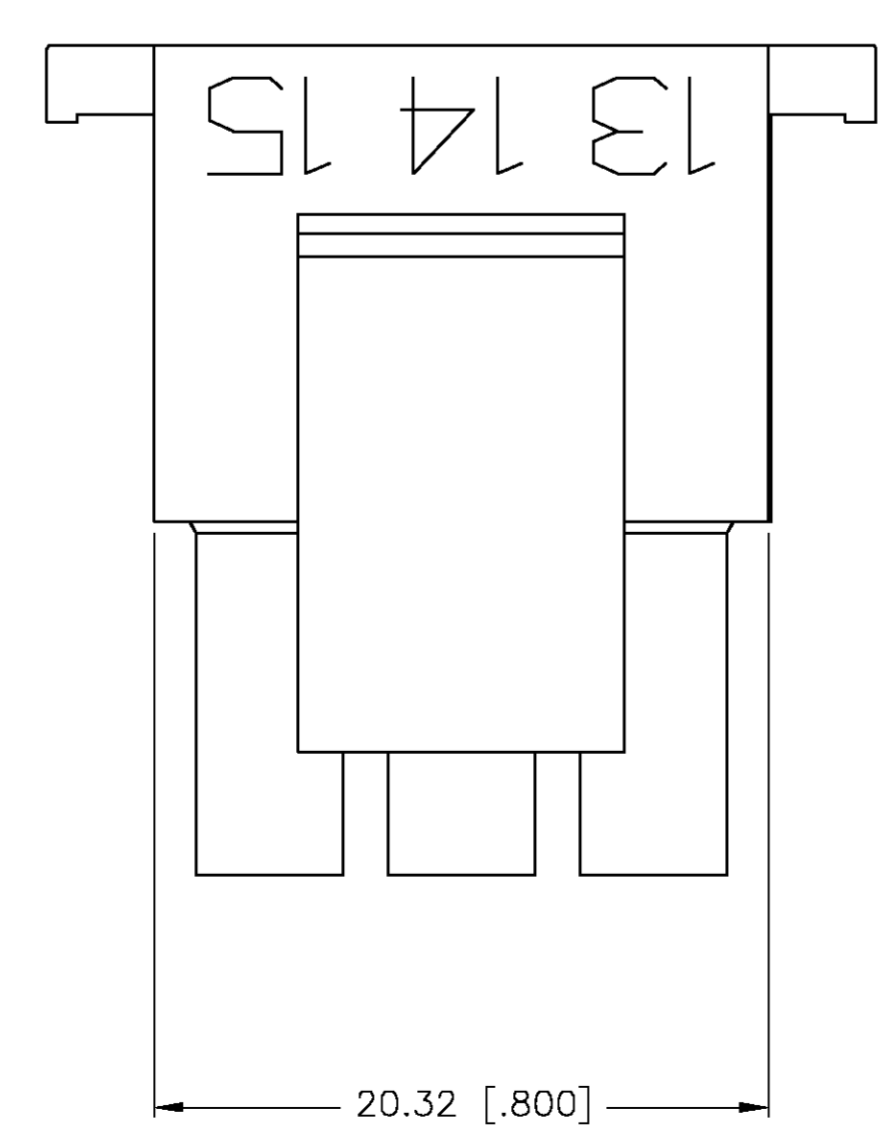
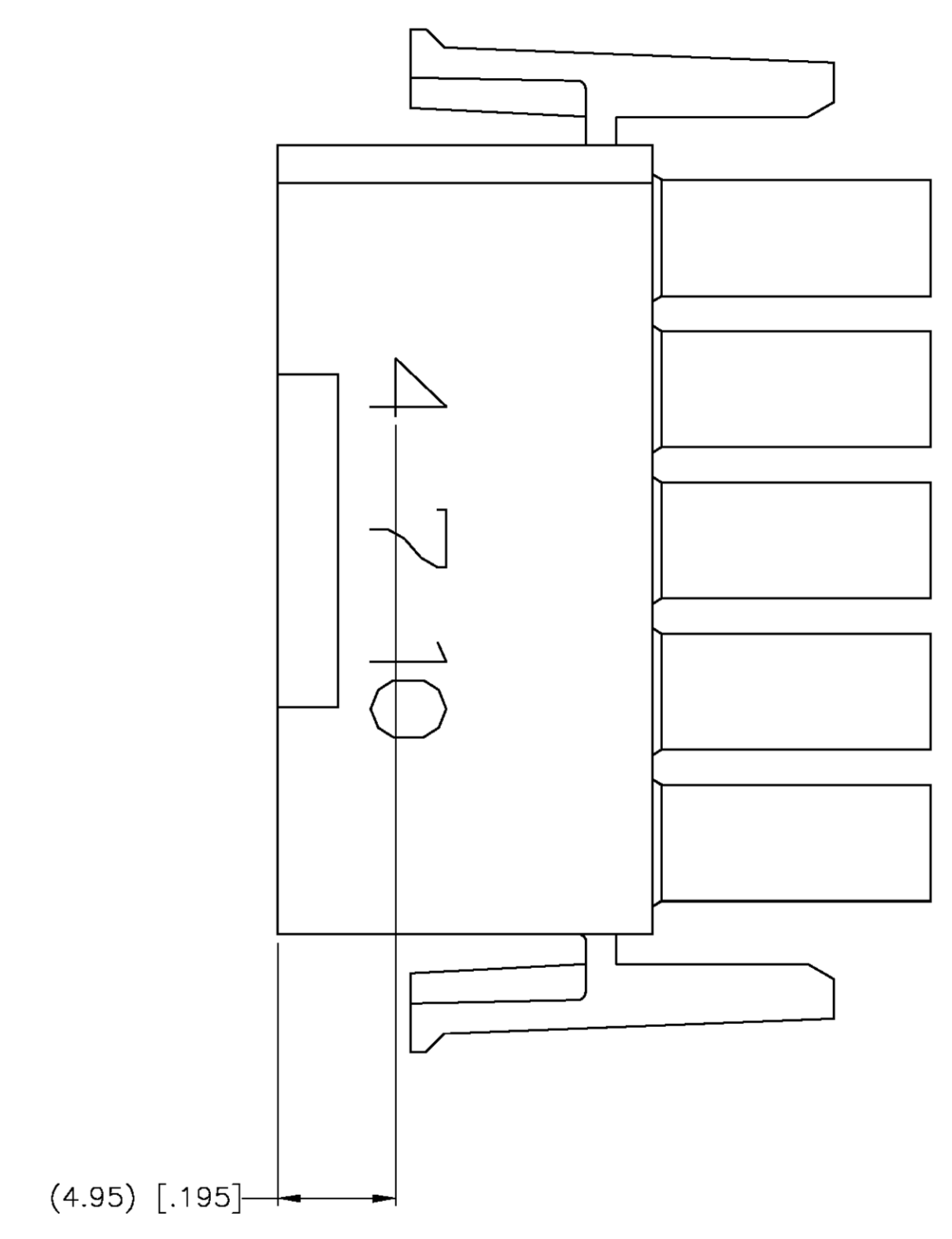
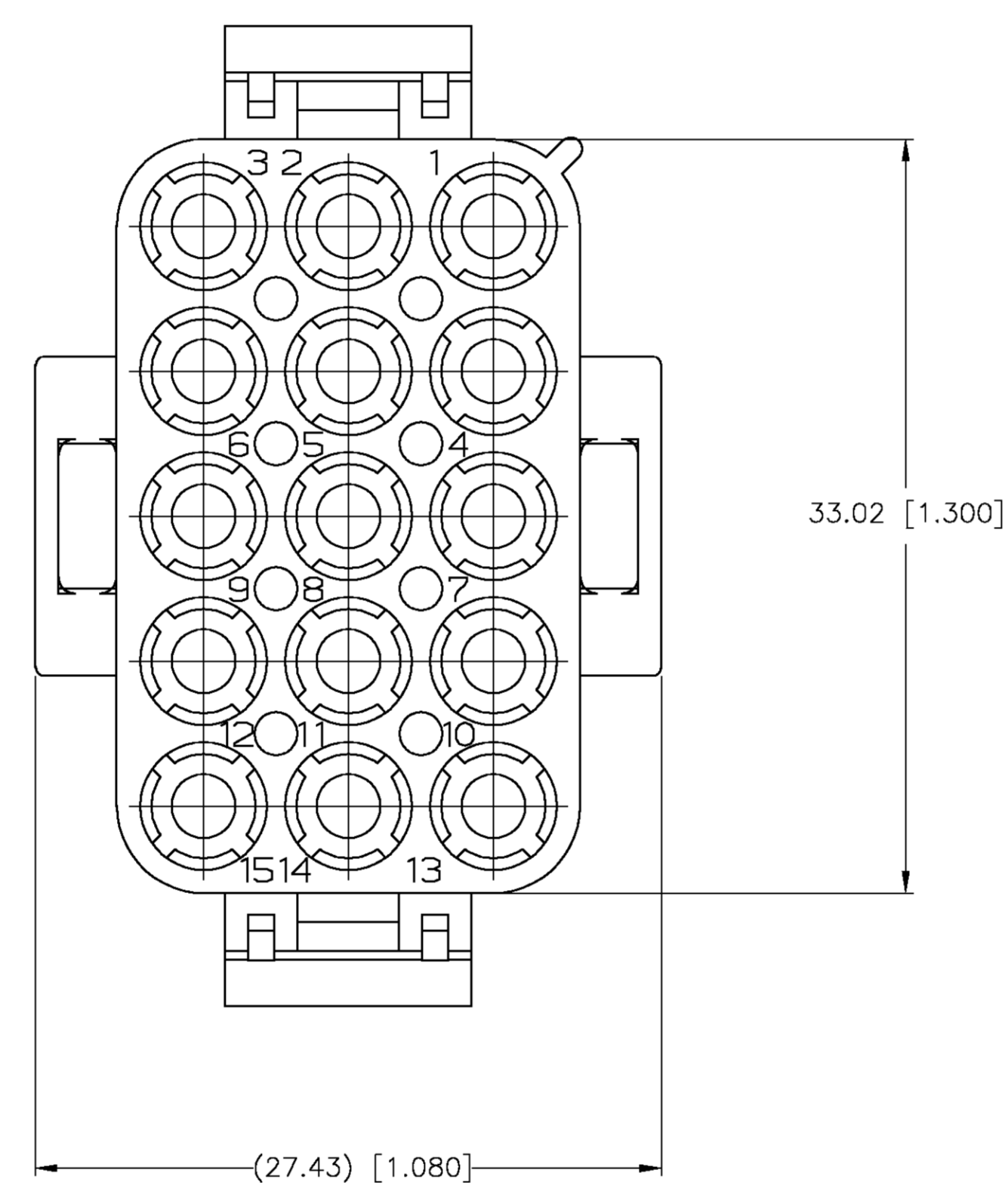
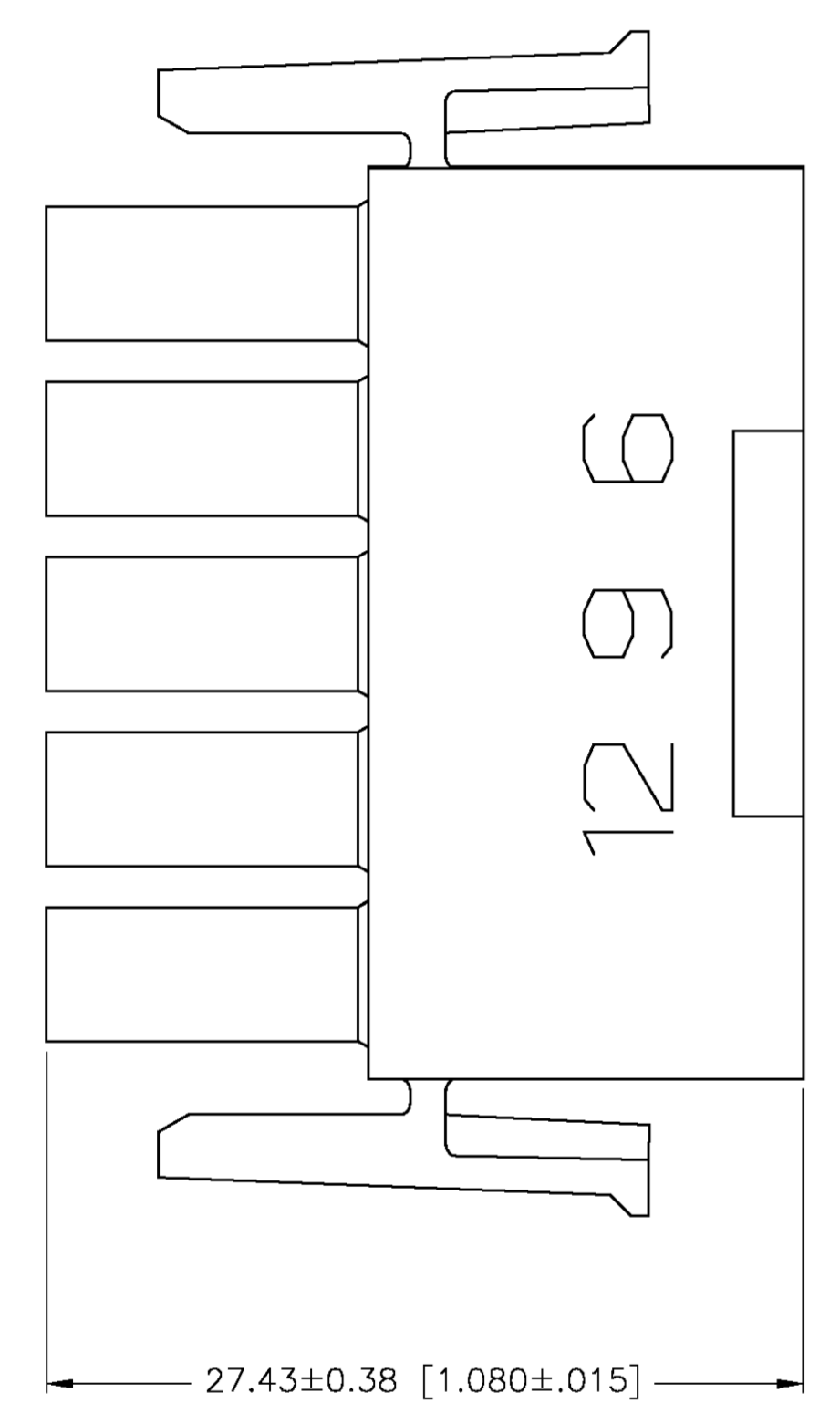
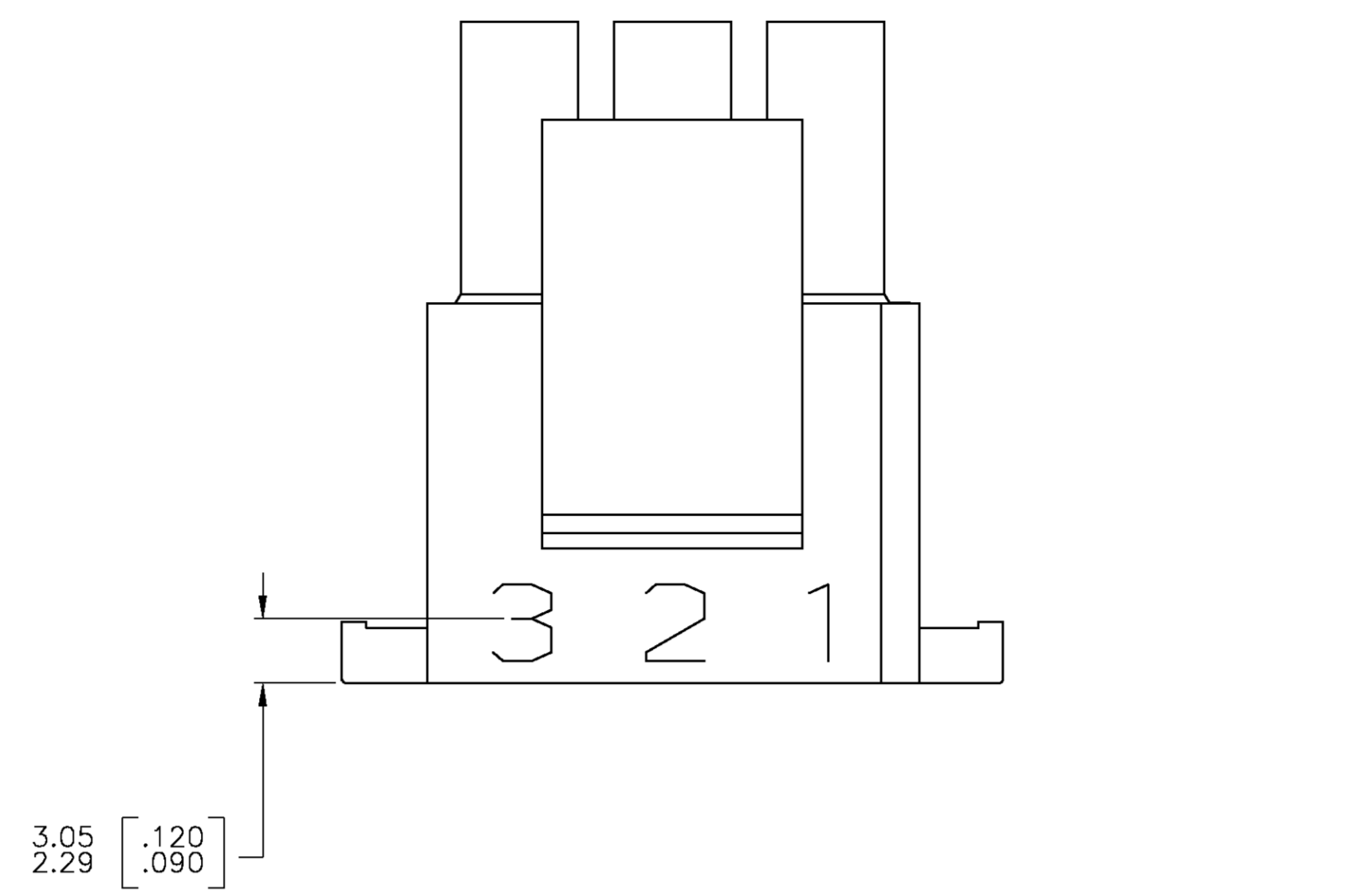
3-DIMENSIONAL MODEL NTS

METRIC

BLACK	1-480710-9
BLUE	1-480710-6
GREEN	1-480710-5
RED	1-480710-2
NATURAL	1-480710-0
COLOR	PART NUMBER

THIS DRAWING IS A CONTROLLED DOCUMENT.		DWG K. WHITAKER	02SEP2004		Tyco Electronics Corporation Greensboro, NC 27409	
DIMENSIONS: mm [INCHES]		CHK S. RIDGILL	02SEP2004		NAME PLUG, 15 CIRCUIT, UNIVERSAL MATE-N-LOK™	
TOLERANCES UNLESS OTHERWISE SPECIFIED:		APPD S. RIDGILL	02SEP2004	PRODUCT SPEC		
0 PLC ± -		APPLICATION SPEC		SIZE CAGE CODE DRAWING NO		
1 PLC ± -		WEIGHT		RESTRICTED TO		
2 PLC ± 0.13 [.005]		A1 00779		C=480710		
3 PLC ± -		CUSTOMER DRAWING		SCALE 4:1 SHEET 1 OF 2 REV AL		
4 PLC ± -						
ANGLES ± 0.30°						
FINISH -						

LOC	DIST	REVISIONS			
P	LR	DESCRIPTION	DATE	DN	APP
CM	00	SEE SHEET 1	-	-	-



1. STAMP NUMBERS 3.18 HIGH AT WIRE END OF HOUSING (12 POINT DAVID TYPE).
2. CHARACTERS TO BE POSITIONED ON HOUSING TO BE READ FROM WIRE END ONLY.
3. VIOLET, BLACK, BROWN, AND BLUE COLORED BLOCKS TO BE STAMPED WITH WHITE CHARACTERS. ALL OTHER COLORED BLOCKS TO BE STAMPED WITH BLACK CHARACTERS.

METRIC

NATURAL	2-480710-0
COLOR	PART NUMBER

THIS DRAWING IS A CONTROLLED DOCUMENT.		DWN K. WHITAKER 02SEP2004		Tyco Electronics Corporation Greensboro, NC 27409	
DIMENSIONS: mm [INCHES]		CHK S. RIDGILL 02SEP2004		NAME PLUG, 15 CIRCUIT, UNIVERSAL MATE-N-LOK™	
TOLERANCES UNLESS OTHERWISE SPECIFIED:		APP'D S. RIDGILL 02SEP2004	APPLICATION SPEC		
0 PLC ± -		SIZE A1			
1 PLC ± -		CAGE CODE 00779			
2 PLC ± 0.13 [.005]		DRAWING NO 480710			
3 PLC ± -		RESTRICTED TO			
4 PLC ± -		CUSTOMER DRAWING			
ANGLES ± 0.30°		SCALE 4:1			
FINISH -		SHEET 2 OF 2			
MATERIAL -		REV AL			