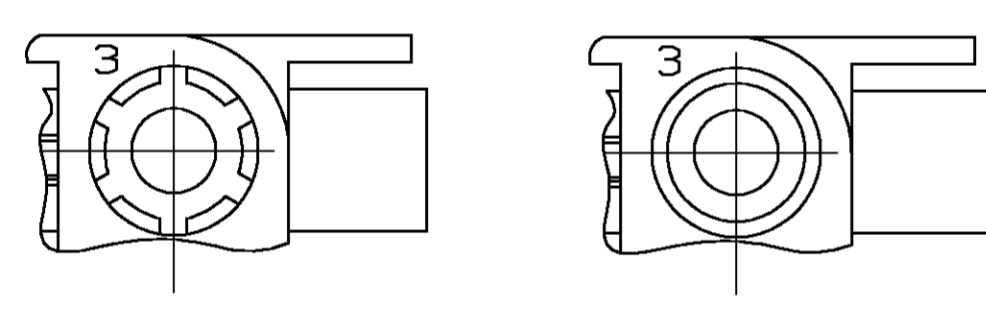
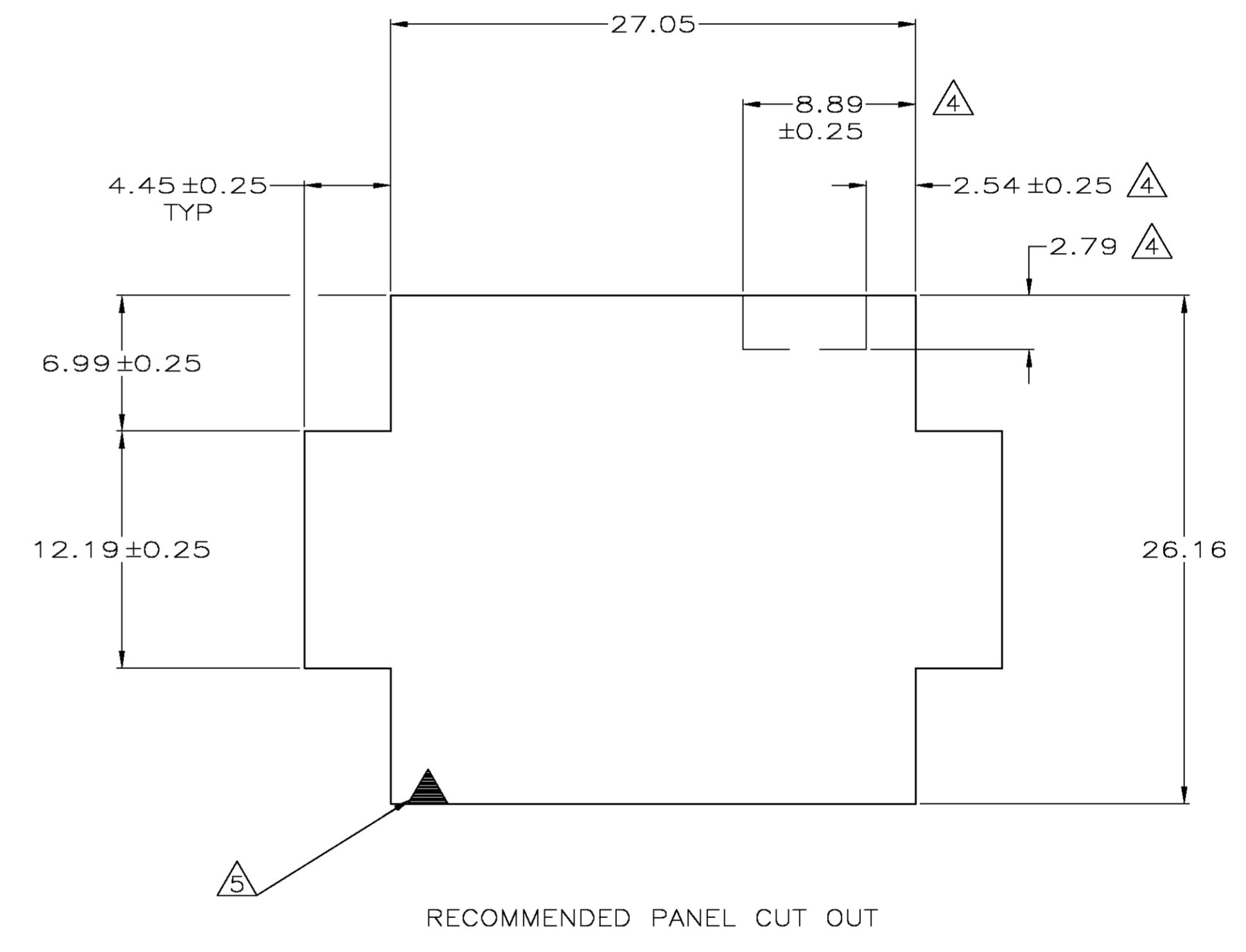
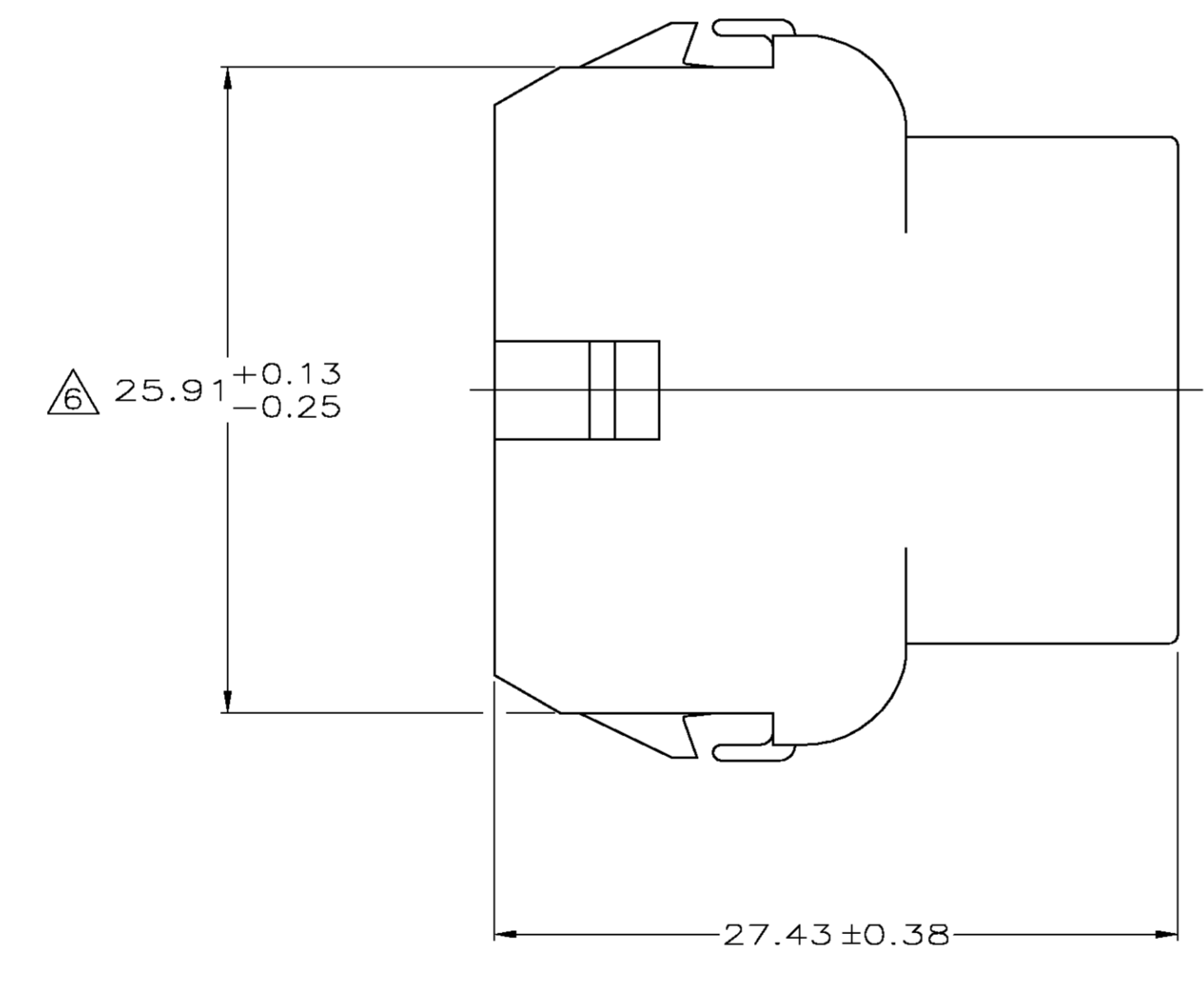


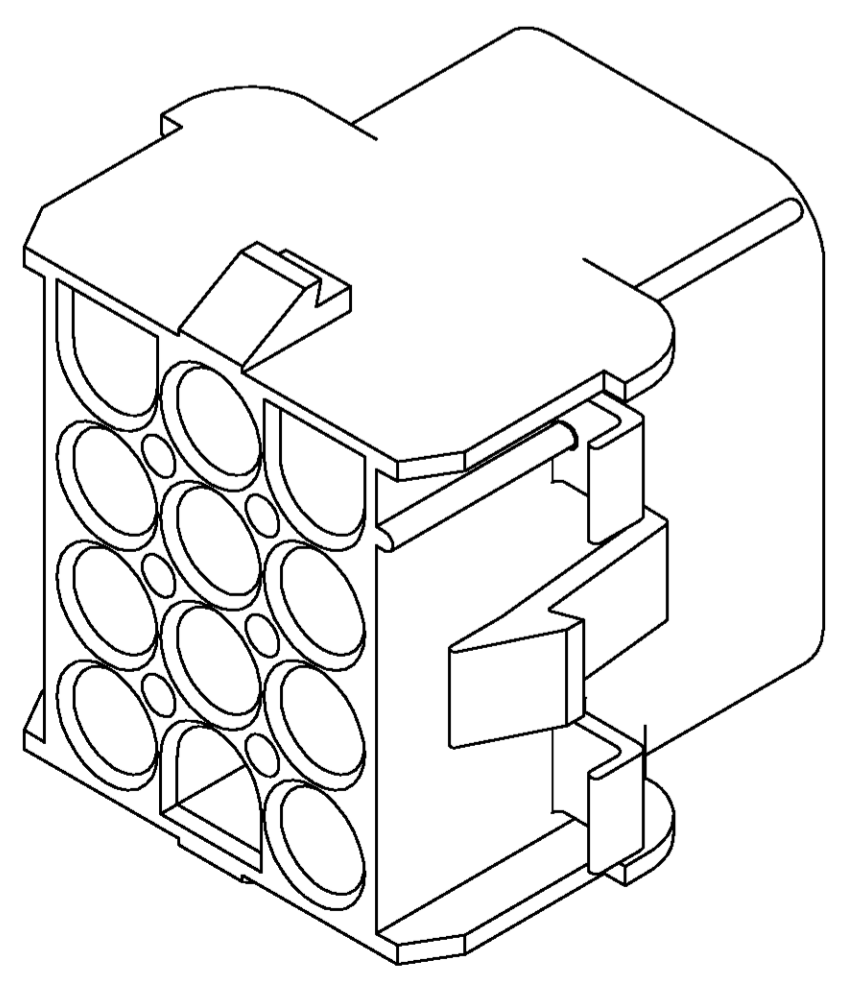
- MATES WITH APPROPRIATE UNIVERSAL MATE-N-LOK™ PLUG.
 - RECOMMENDED PANEL THICKNESS 0.76 - 2.29.
 - PANEL MUST BE PUNCHED SO THAT THE HOUSING ENTERS THE PANEL IN THE SAME DIRECTION AS THE PUNCH.
- Ⓐ OPTIONAL FOR KEYING HOUSING IN PANEL.
 - Ⓑ CIRCUIT NUMBER 1 LOCATION.
 - Ⓒ DIMENSION INDICATED IS AS MOLDED. ADDITIONAL GROWTH DUE TO SUBSEQUENT MOISTURE ABSORPTION MAY OCCUR.
 - Ⓓ FOUR RIBS EQUALLY SPACED, NO SPECIFIC ORIENTATION. NO RIBS OR SIX RIBS EQUALLY SPACED, NO SPECIFIC ORIENTATION, OPTIONAL.
 - Ⓔ UNDERWRITERS RECOGNIZED COMPONENT LOGO AND CSA CERTIFICATION LOGO TO BE LOCATED ONCE EACH ON SIDE OF HOUSING.



DETAIL A
OPTIONAL CONSTRUCTIONS



RECOMMENDED PANEL CUT OUT



3-DIMENSIONAL MODEL
NTS

6.99	.275	27.43	1.080
4.45	.175	27.05	1.065
2.79	.110	26.67	1.050
2.54	.100	26.16	1.030
2.29	.090	25.91	1.020
0.76	.030	20.32	.800
0.38	.015	12.19	.480
0.25	.010	8.89	.350
0.13	.005	8.13	.320
MM	IN	MM	IN

CONVERSION TABLE

METRIC

BLACK	1-480709-9
BLUE	1-480709-6
GREEN	1-480709-5
RED	1-480709-2
NATURAL	1-480709-0
COLOR	PART NO

THIS DRAWING IS A CONTROLLED DOCUMENT.

DIMENSIONS: mm	TOLERANCES UNLESS OTHERWISE SPECIFIED:	0 PLG ± -	1 PLG ± -	2 PLG ± ± 0.13	3 PLG ± ± 0.13	4 PLG ± ± 0.13	ANGLES ± ± 0.30°
MATERIAL: NYLON, UL94V-2	FINISH: -	DIN K. WHITAKER 29JUL2004		CHK S. RIDGILL 29JUL2004		APVD S. RIDGILL 29JUL2004	
Tyco Electronics Corporation Greensboro, NC 27409		NAME: CAP, 12 CIRCUIT, UNIVERSAL MATE-N-LOK™		SIZE: A1	CAGE CODE: 00779	DRAWING NO: C=480709	RESTRICTED TO: -
CUSTOMER DRAWING		SCALE: 4:1	SHEET: 1 OF 2	REV: AK			