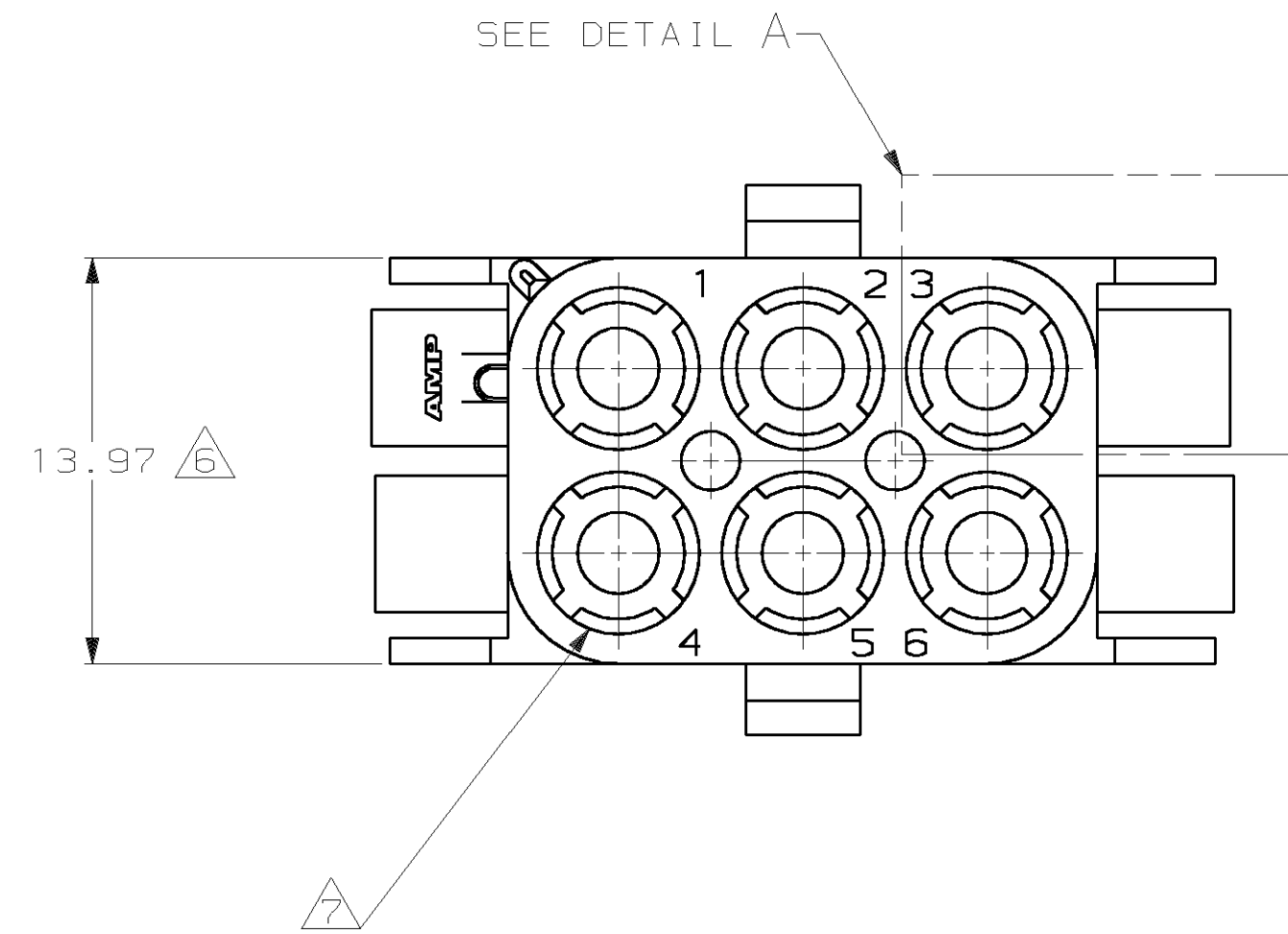
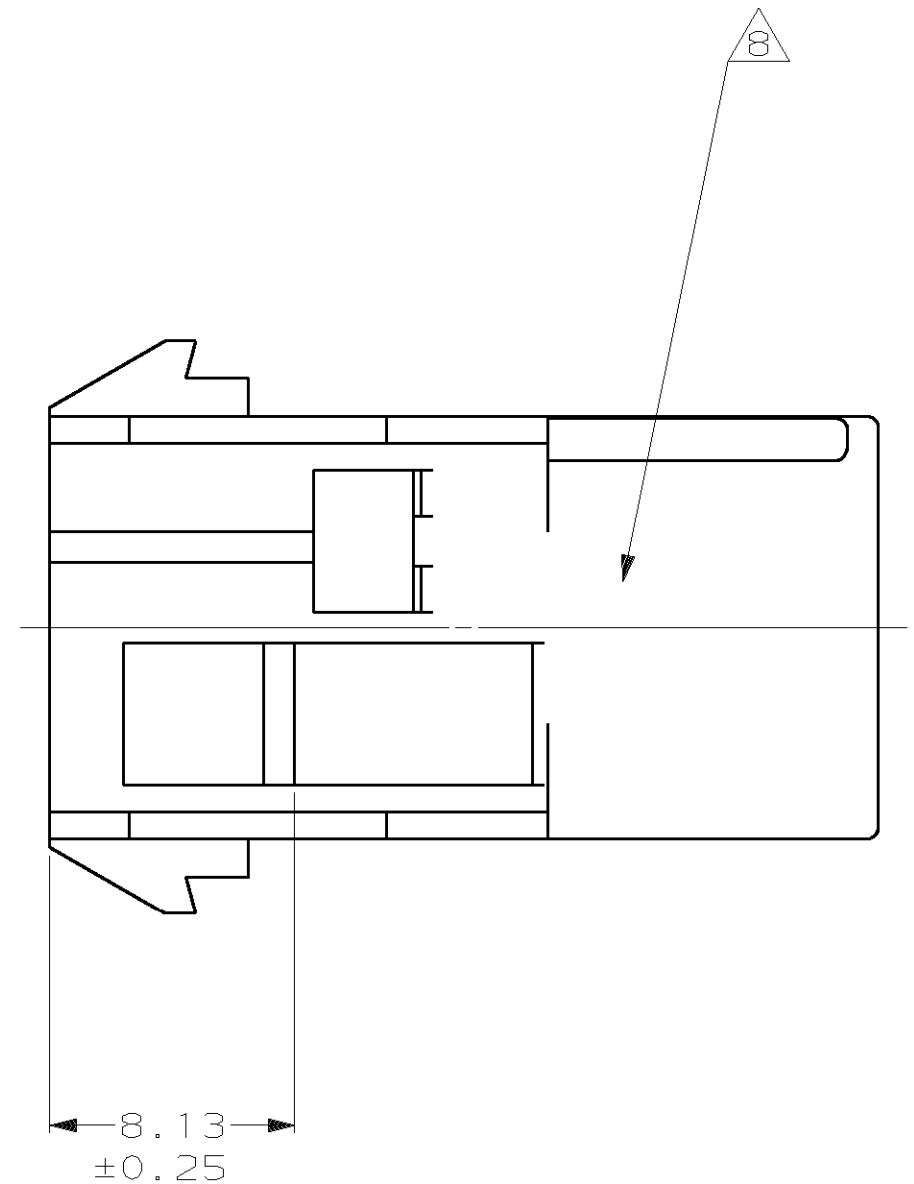
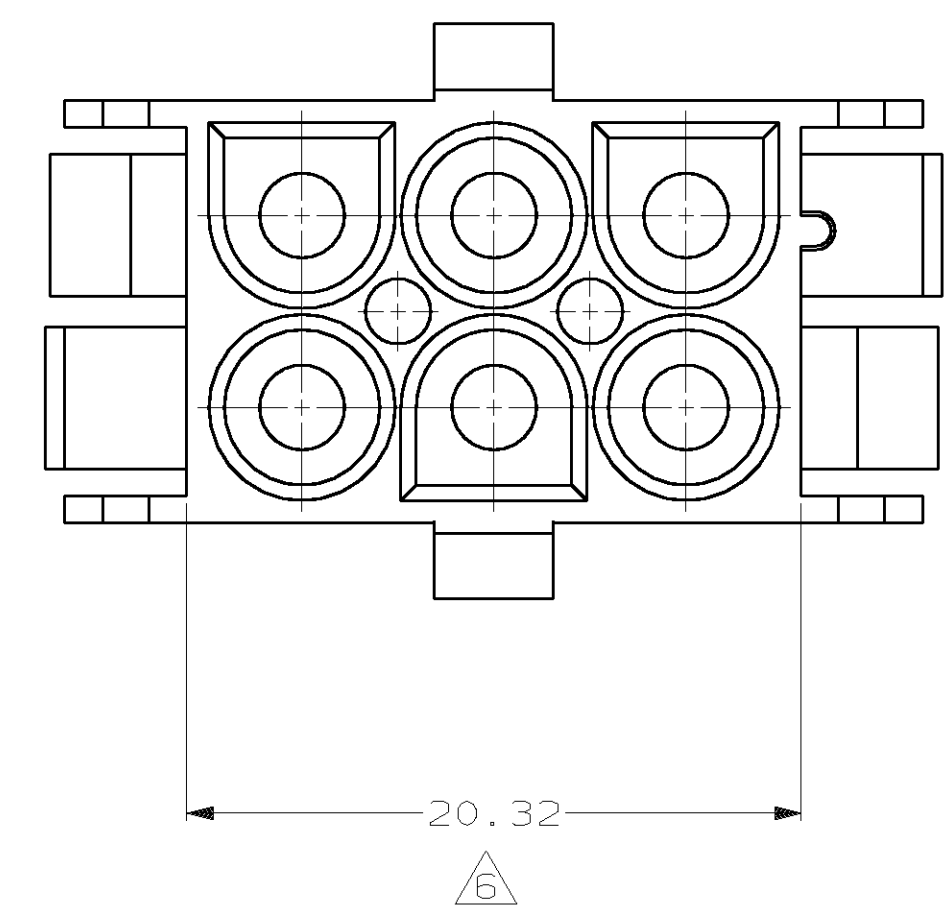
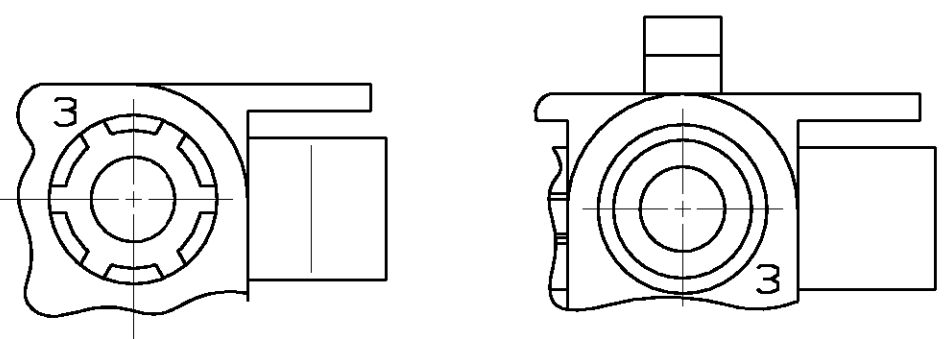


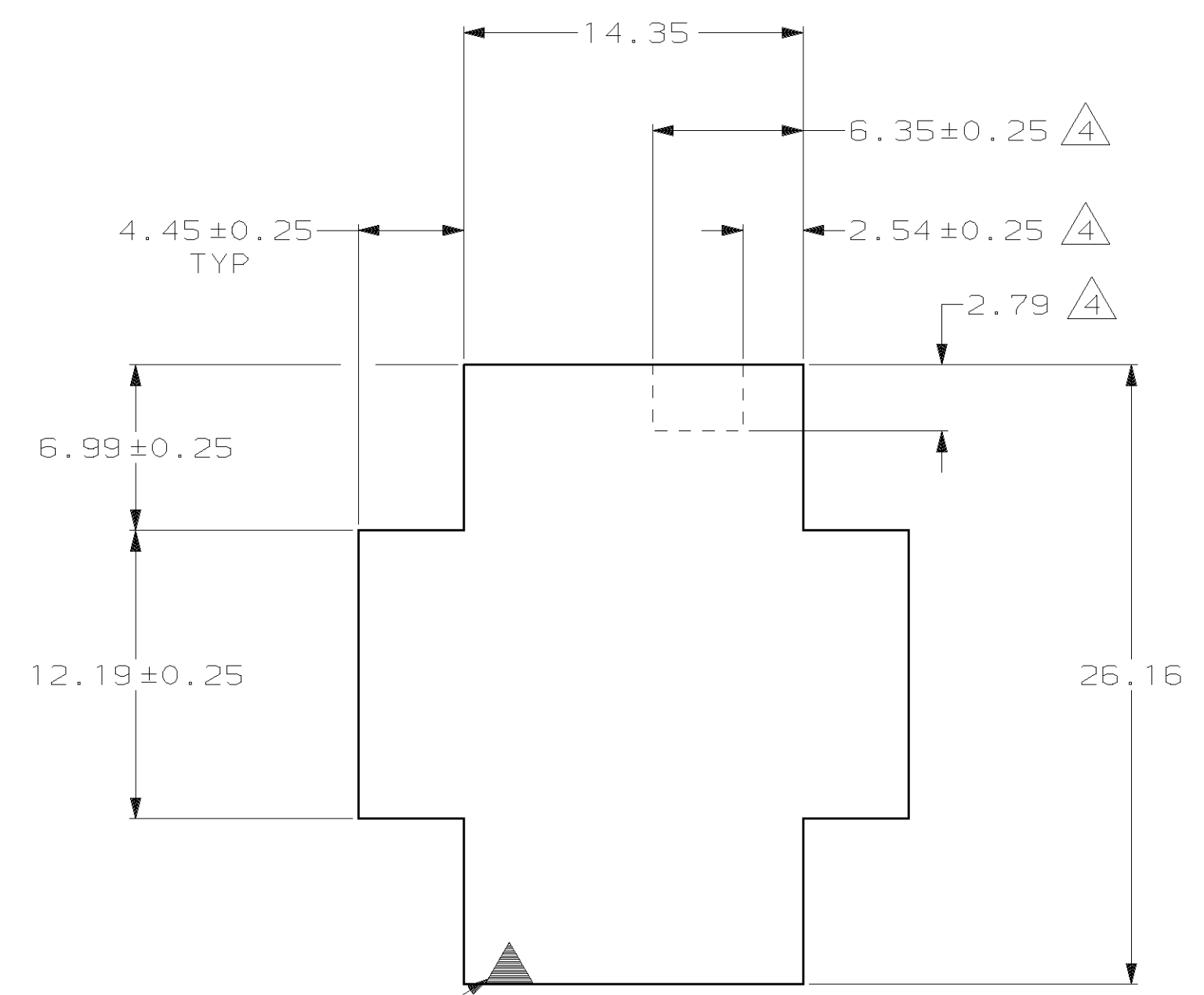
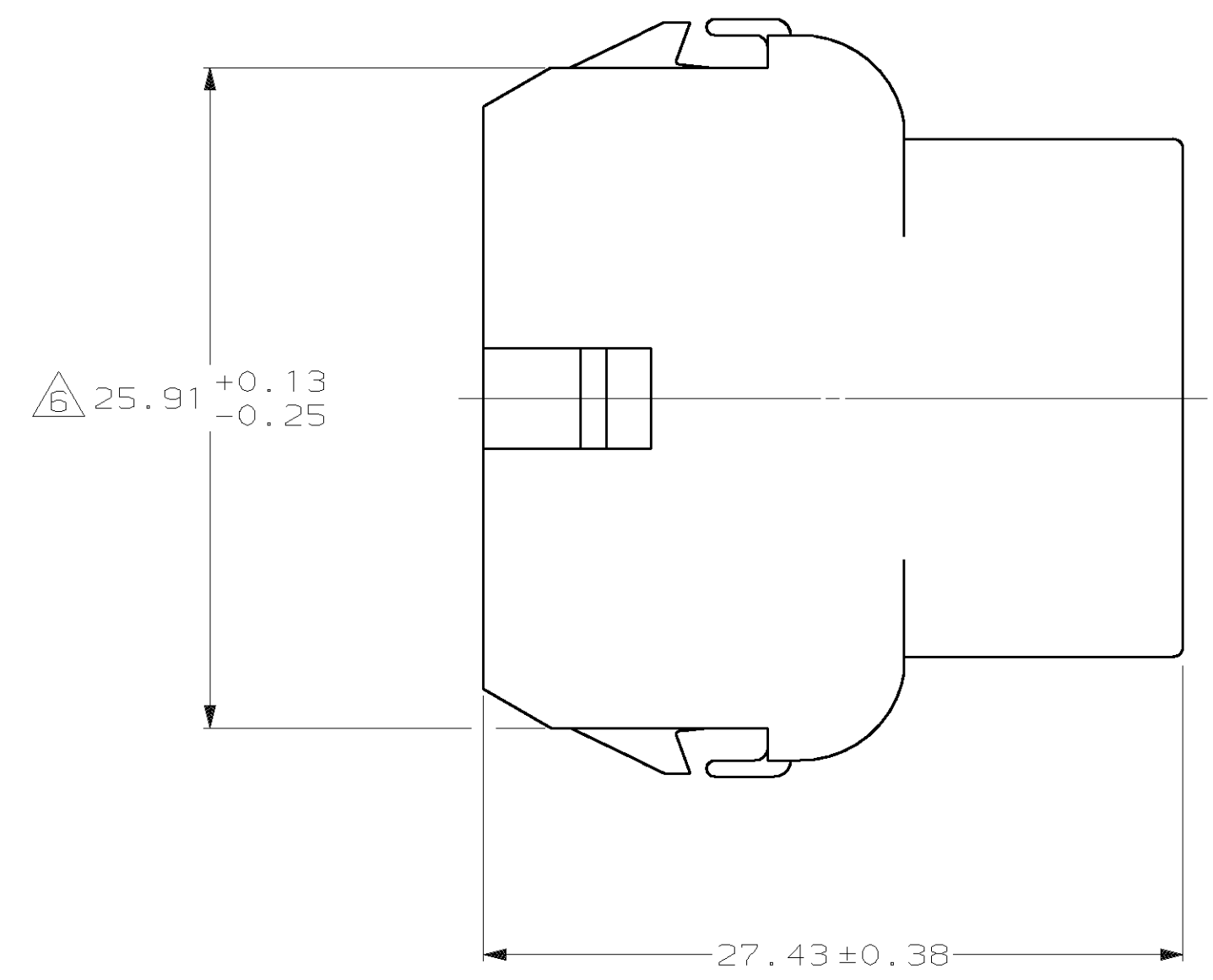
LOC		DIST		P		ZONE		LTR		REVISIONS		DATE	APPD
CM	53							AL		REVISED PER EC 063B-0185-01	20-APR-01	KW	CJ



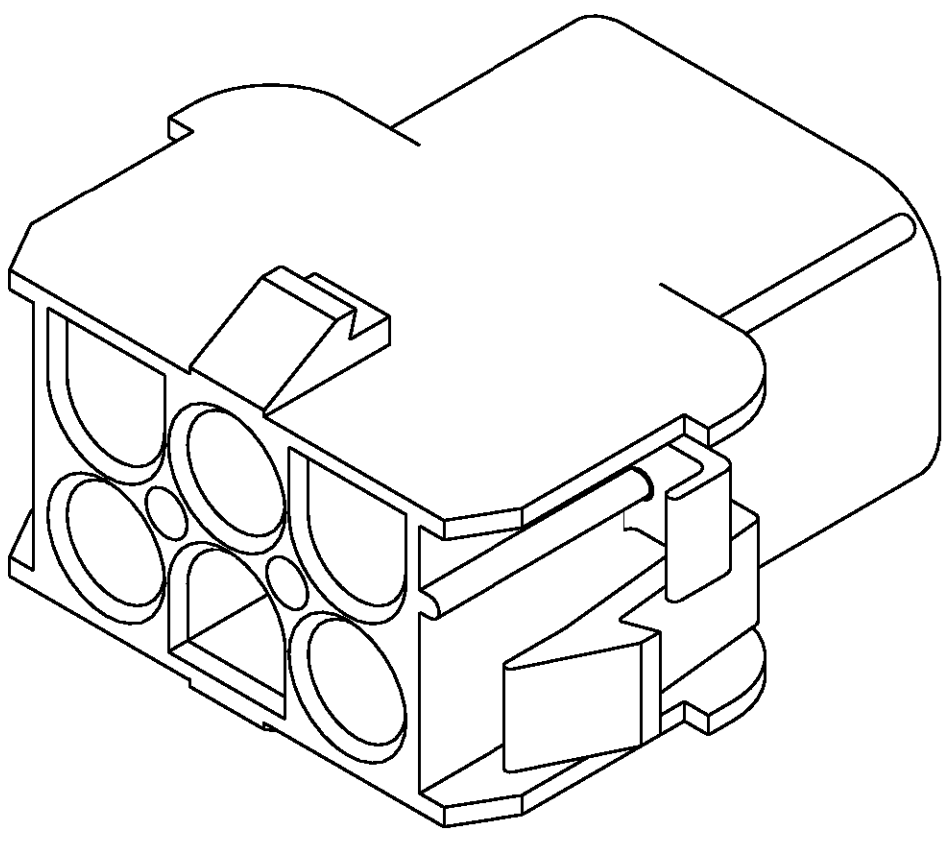
- MATES WITH APPROPRIATE UNIVERSAL MATE-N-LOK™ PLUG.
  - RECOMMENDED PANEL THICKNESS 0.76 - 2.29.
  - PANEL MUST BE PUNCHED SO THAT THE HOUSING ENTERS THE PANEL IN THE SAME DIRECTION AS THE PUNCH.
- △ OPTIONAL FOR KEYING HOUSING IN PANEL.
  - △ CIRCUIT NUMBER 1 LOCATION.
  - △ DIMENSION INDICATED IS AS MOLDED. ADDITIONAL GROWTH DUE TO SUBSEQUENT MOISTURE ABSORPTION MAY OCCUR.
  - △ FOUR RIBS EQUALLY SPACED, NO SPECIFIC ORIENTATION. NO RIBS OR SIX RIBS EQUALLY SPACED, NO SPECIFIC ORIENTATION, OPTIONAL.
  - △ UNDERWRITERS RECOGNIZED COMPONENT LOGO AND CSA CERTIFICATION LOGO TO BE LOCATED ONCE EACH ON SIDE OF HOUSING.



DETAIL A  
OPTIONAL CONSTRUCTIONS



RECOMMENDED PANEL CUT OUT



3-DIMENSIONAL MODEL  
NTS

6.35	.250	27.43	1.080
4.45	.175	26.16	1.030
2.79	.110	25.91	1.020
2.54	.100	20.32	.800
2.29	.090	14.35	.565
0.76	.030	13.97	.550
0.38	.015	12.19	.480
0.25	.010	8.13	.320
0.13	.005	6.99	.275
MM	IN	MM	IN

CONVERSION TABLE

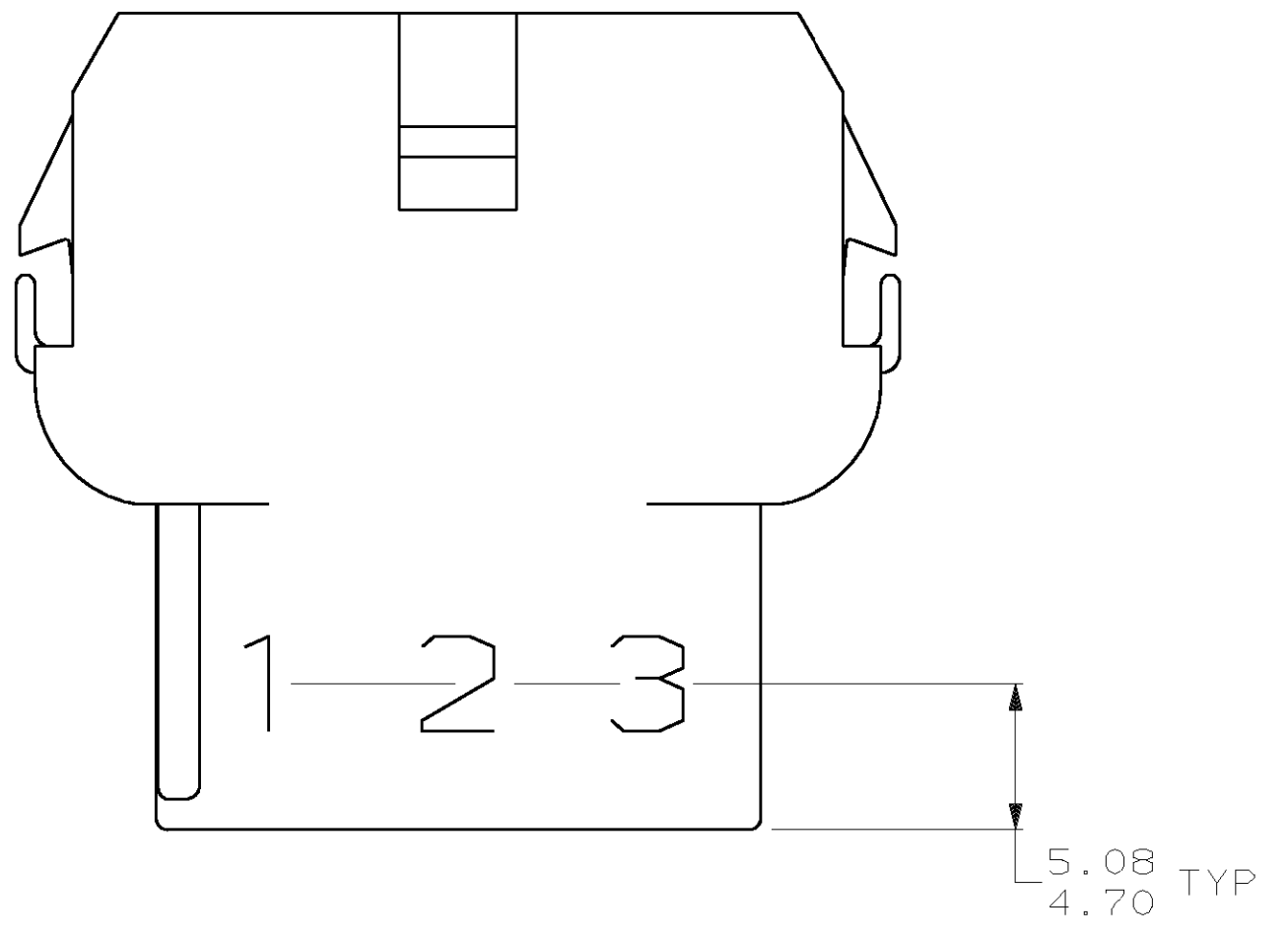
BLACK	1-480705-9
GRAY	1-480705-8
BLUE	1-480705-6
YELLOW	1-480705-4
ORANGE	1-480705-3
RED	1-480705-2
NATURAL	1-480705-0
COLOR	PART NO

**METRIC**

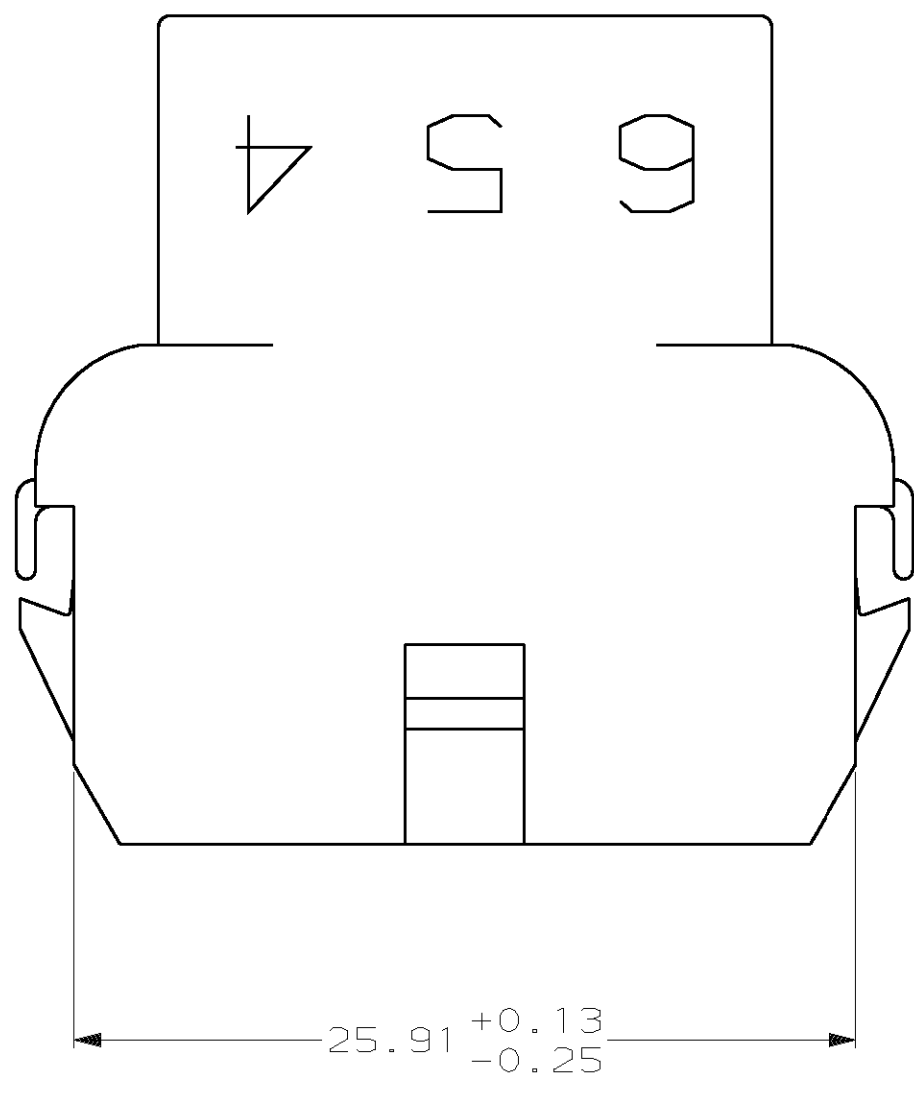
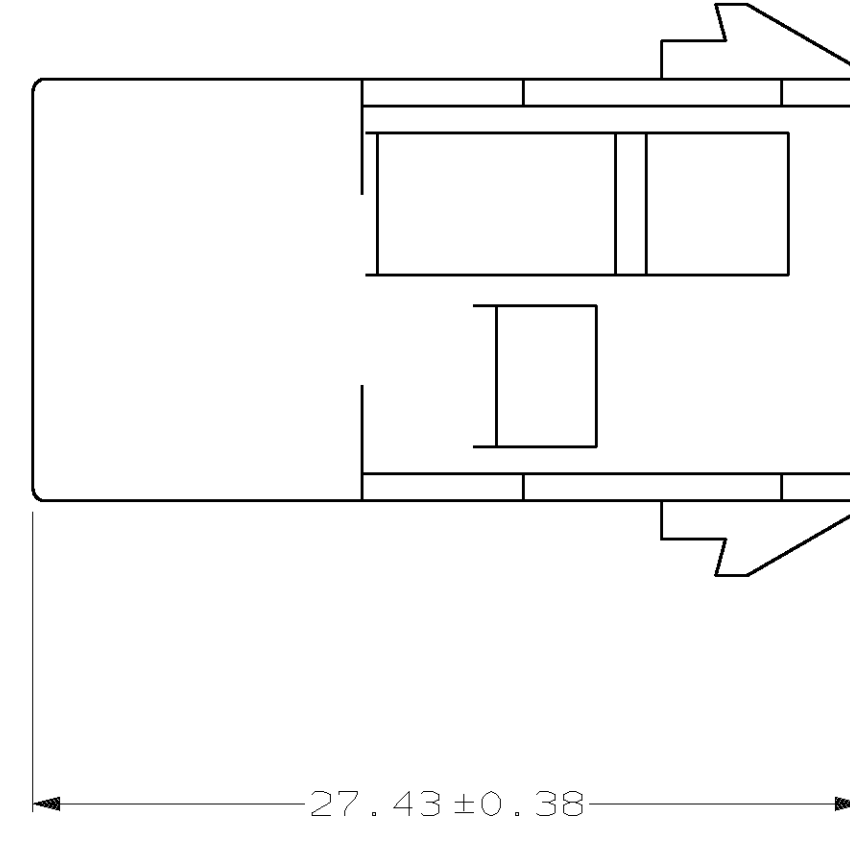
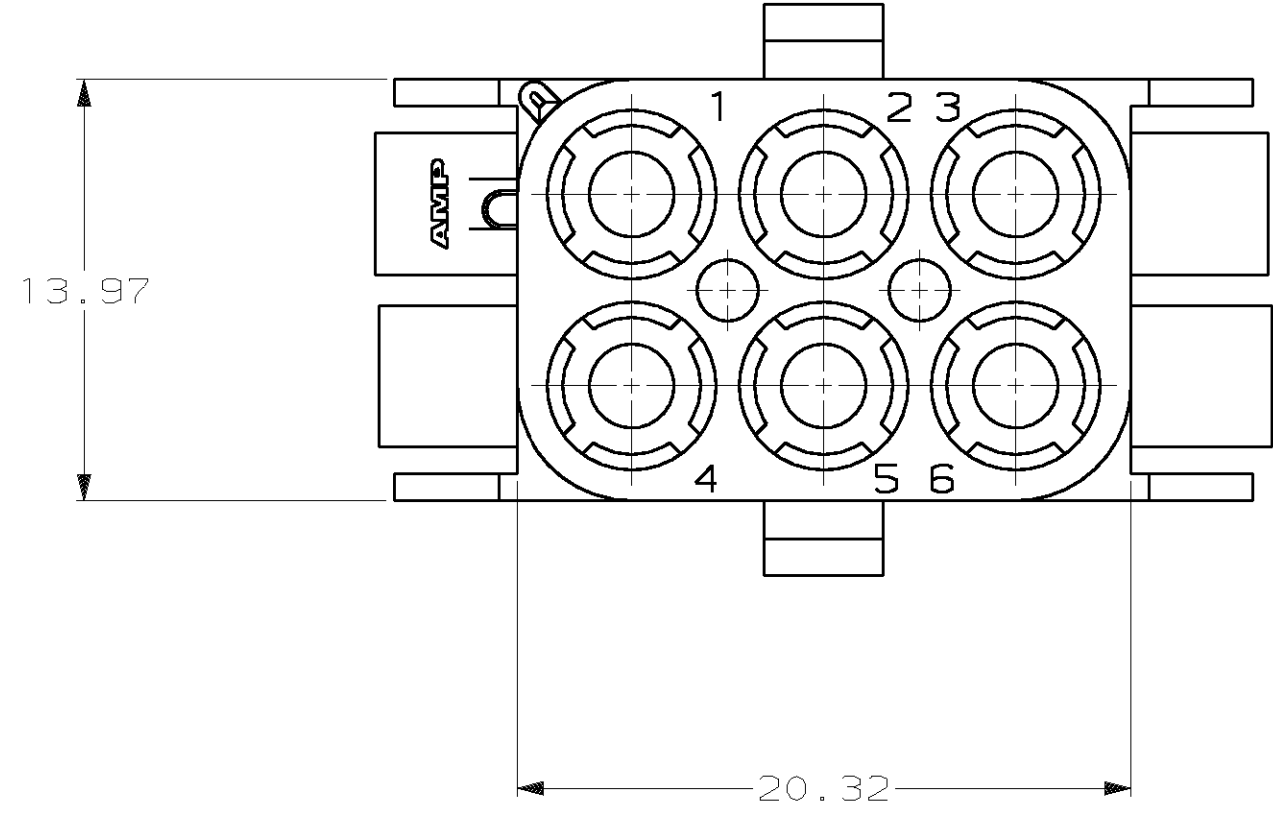
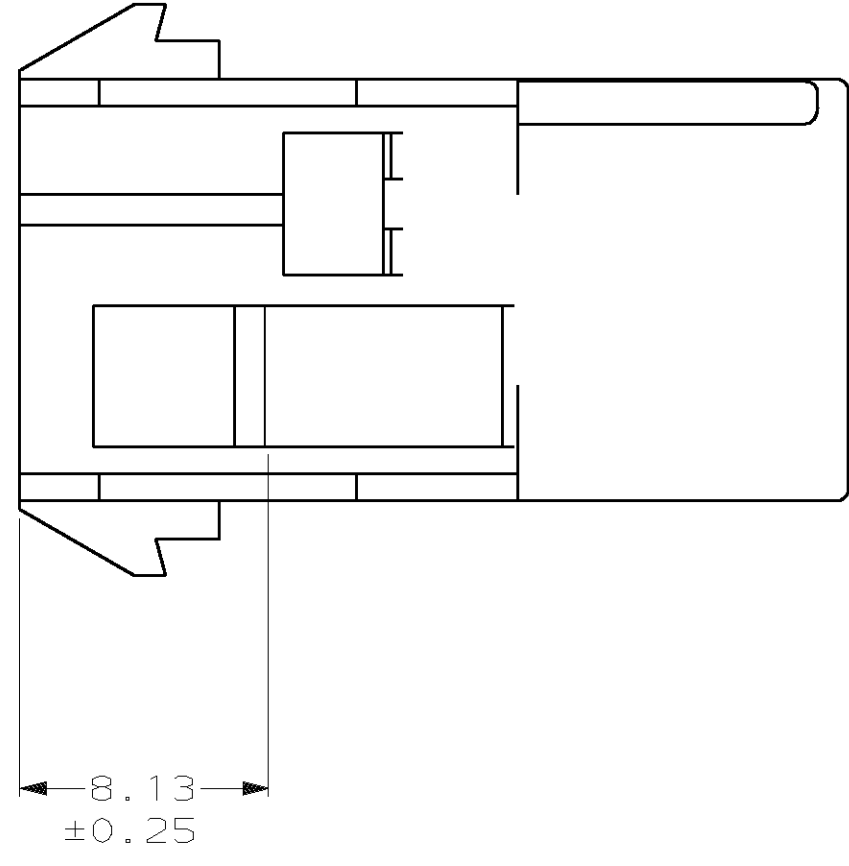
THIS DRAWING IS A CONTROLLED DOCUMENT FOR AMP INCORPORATED. IT IS SUBJECT TO CHANGE AND THE CONTROLLING ENGINEERING ORGANIZATION SHOULD BE CONTACTED FOR THE LATEST REVISION.

DO NOT SCALE PRINT. UNLESS SPECIFIED DIMENSIONS IN mm [INCHES] TOLERANCES ON: 2 PLC DEC ± 0.13 3 PLC DEC ± . ANGLER ± 1°0'	DR 6-29-92 K. WHITAKER CHK 6-29-92 R. SWING APPD 7-2-92 D. SELF APPD 7-2-92 D. SELF	AMP Incorporated Harrisburg, PA 17105-3508	
MATERIAL NYLON, UL 94V-2	PRODUCT SPEC -	NAME CAP, 6 CIRCUIT, UNIVERSAL MATE-N-LOK™	
FINISH -	APPLICATION SPEC -	SIZE D	CAGE CODE 00779
	WEIGHT -	DRAWING NO C-480705	
		SCALE 4:1	SHEET 1 OF 2

LOC		DIST		P		F		ZONE		LTR		REVISIONS		
CM	53											DESCRIPTION	DATE	APPD
												AL SEE SHEET 1	-	-



1. STAMP NUMBERS 3.18 HIGH AT WIRE END OF HOUSING (12 POINT DAVID TYPE); CLARIFICATION MARKS UNDER THE 6 & 9.
2. CHARACTERS TO BE STAMPED ON HOUSING IN A MANNER AS TO BE READ FROM WIRE END ONLY.
3. VIOLET, BLACK, BROWN, AND BLUE COLORED BLOCKS TO BE STAMPED WITH WHITE CHARACTERS. ALL OTHER COLORED BLOCKS TO BE STAMPED WITH BLACK CHARACTERS.



MM	IN	MM	IN
5.08	.200	-	-
4.70	.185	27.43	1.080
3.18	.125	25.91	1.020
0.38	.015	20.32	.800
0.25	.010	13.97	.550
0.13	.005	8.13	.320

CONVERSION TABLE

**METRIC**

THIS DRAWING IS A CONTROLLED DOCUMENT FOR AMP INCORPORATED. IT IS SUBJECT TO CHANGE AND THE CONTROLLING ENGINEERING ORGANIZATION SHOULD BE CONTACTED FOR THE LATEST REVISION.

DO NOT SCALE PRINT. UNLESS SPECIFIED DIMENSIONS IN mm [INCHES]		DR 6-29-92 K. WHITAKER	NATURAL		2-480705-0	
TOLERANCES ON:		CHK 6-29-92 R. SWING	COLOR	PART NO		
2 PLC DEC ± 0.13		APPD 7-2-92 D. SELF	AMP Incorporated Harrisburg, PA 17105-3608			
3 PLC DEC ± -		APPD 7-2-92 D. SELF	NAME			
ANGLES ± 1°		PRODUCT SPEC	CAP, 6 CIRCUIT, UNIVERSAL MATE-N-LOK™			
MATERIAL		APPLICATION SPEC	SIZE	CAGE CODE	DRAWING NO	
-		-	D	00779	C-480705	
FINISH		WEIGHT	SCALE	SHEET		2 OF 2
-		-	4:1	CUSTOMER DRAWING		