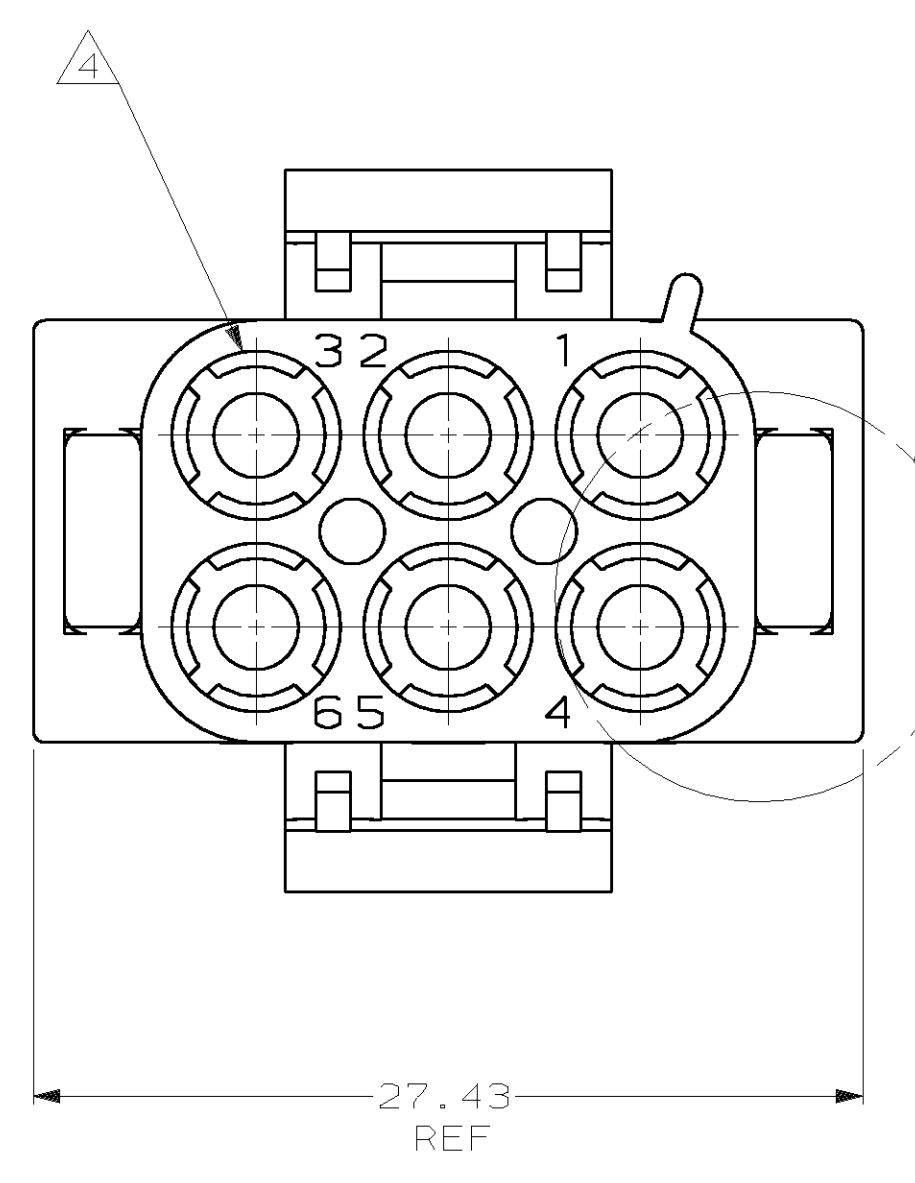
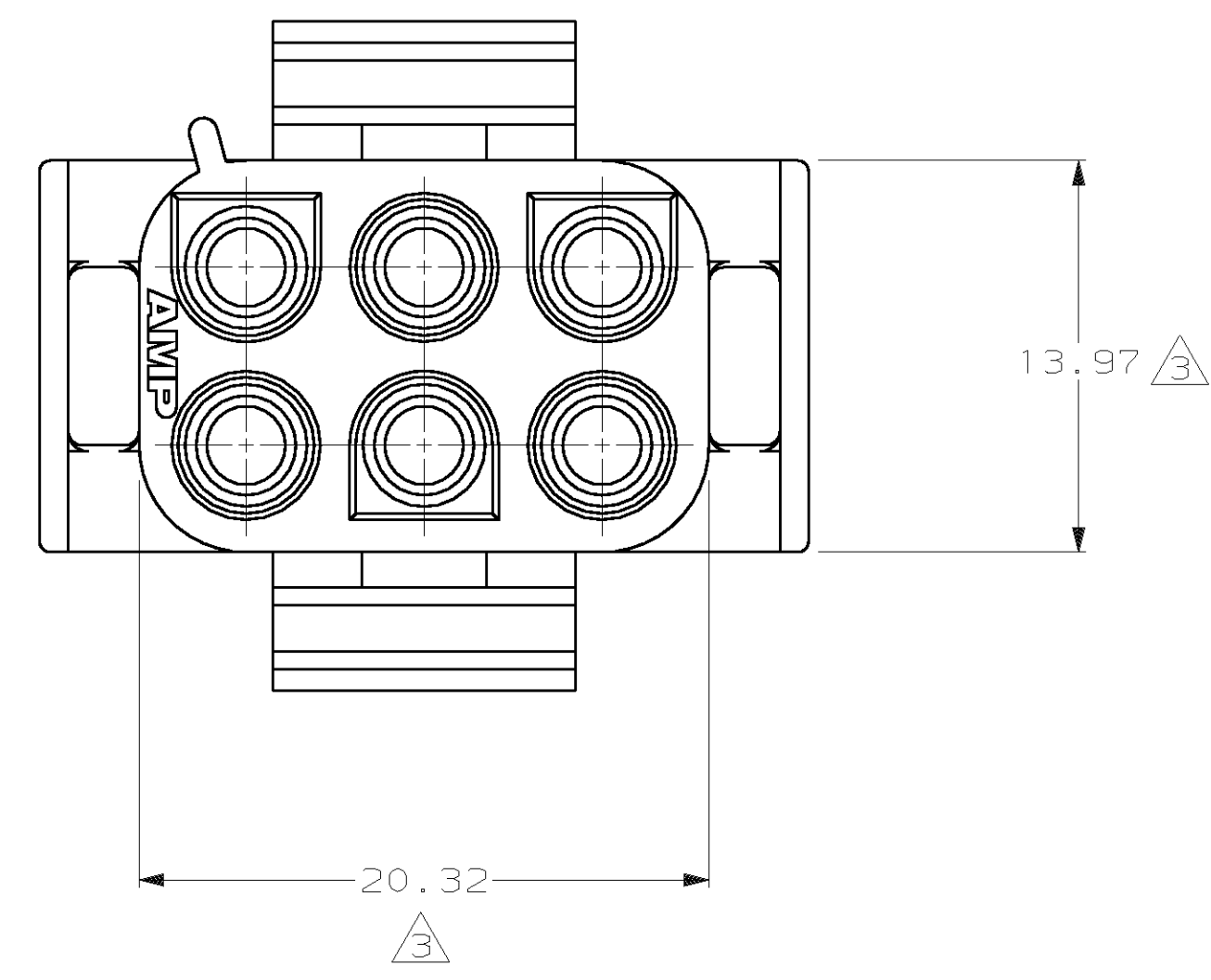
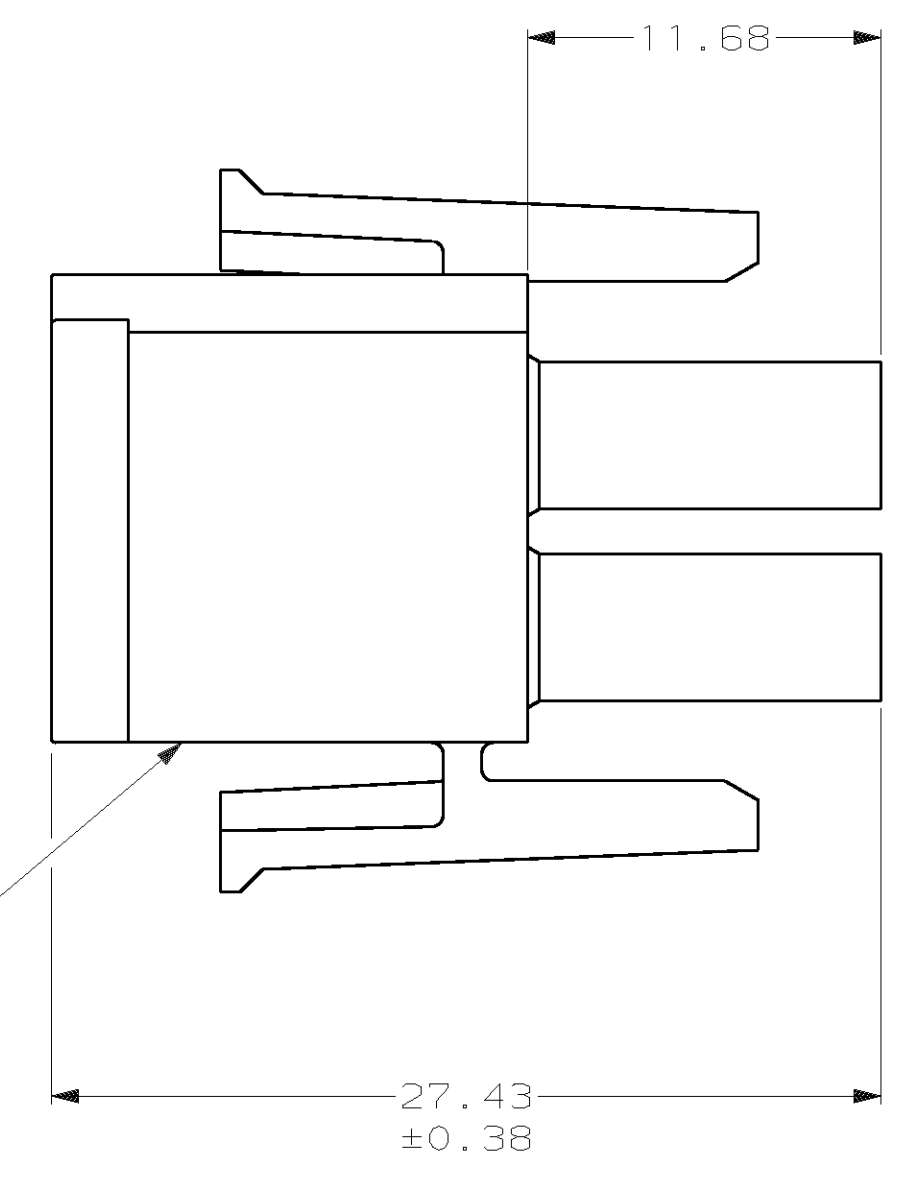


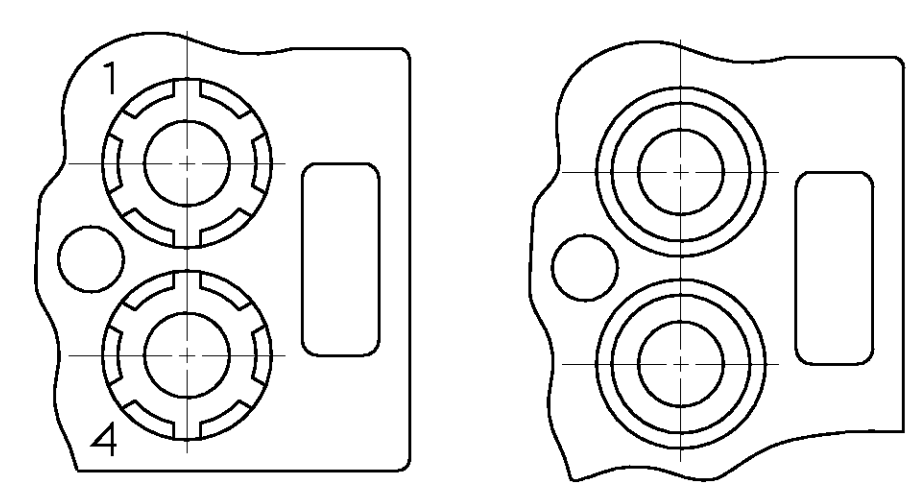
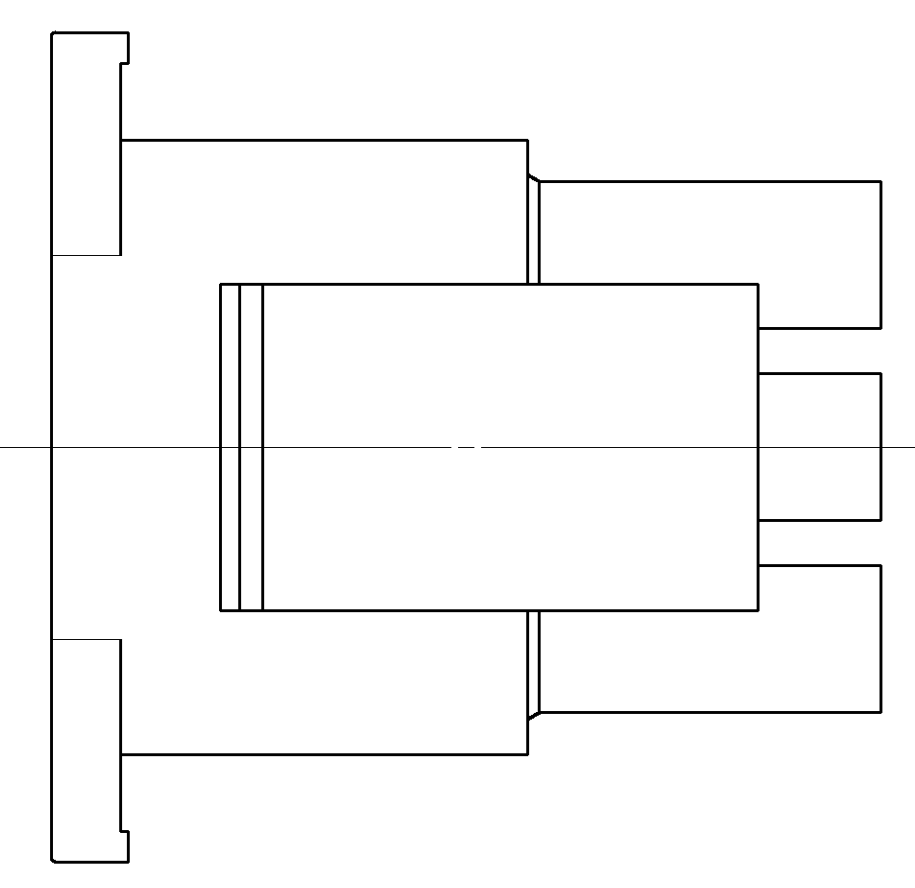
LOC		DIST		P		ZONE		LTR		REVISIONS		DATE	APPD
CM	53									DESCRIPTION			
										AL REVISED PER EC 063B-0117-03		21-MAR-03	KW
												SR	



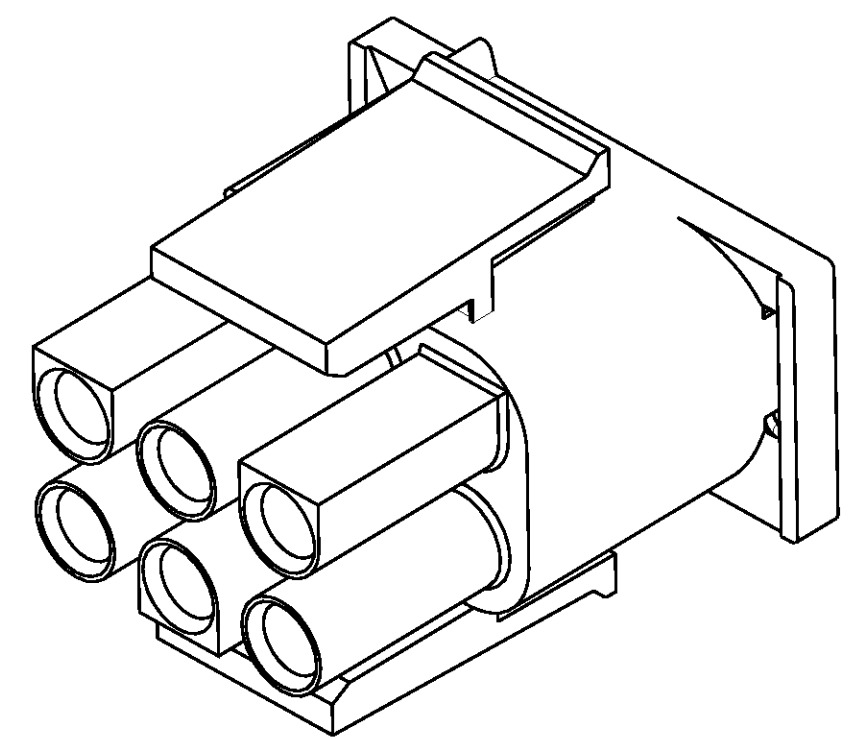
SEE DETAIL A



- MATES WITH APPROPRIATE UNIVERSAL MATE-N-LOK™ CAP OR HEADER.
 - SMALL NICKS ARE PERMITTED ON THE CIRCUIT TOWERS WHICH COULD INCREASE THE INITIAL HOUSING MATING FORCE BY UP TO 4.4 NEWTONS [1.0 LBS]. NO INDIVIDUAL NICKED TOWER SHALL INCREASE THIS FORCE BY OVER 2.2 NEWTONS [0.5 LBS].
- △ DIMENSION INDICATED IS AS MOLDED. ADDITIONAL GROWTH DUE TO SUBSEQUENT MOISTURE ABSORPTION MAY OCCUR.
- △ FOUR RIBS EQUALLY SPACED, NO SPECIFIC ORIENTATION. NO RIBS OR SIX RIBS EQUALLY SPACED, NO SPECIFIC ORIENTATION, OPTIONAL.
- △ UNDERWRITERS RECOGNIZED COMPONENT LOGO AND CSA CERTIFICATION LOGO TO BE LOCATED ONCE EACH ON SIDE OF HOUSING.



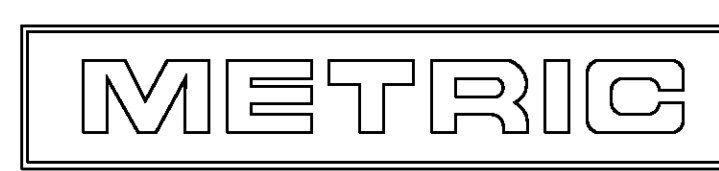
DETAIL A
OPTIONAL CONSTRUCTIONS



3-DIMENSIONAL MODEL
NTS

MM	IN
27.43	1.080
20.32	.800
13.97	.550
11.68	.460
0.38	.015
0.13	.005
MM	IN

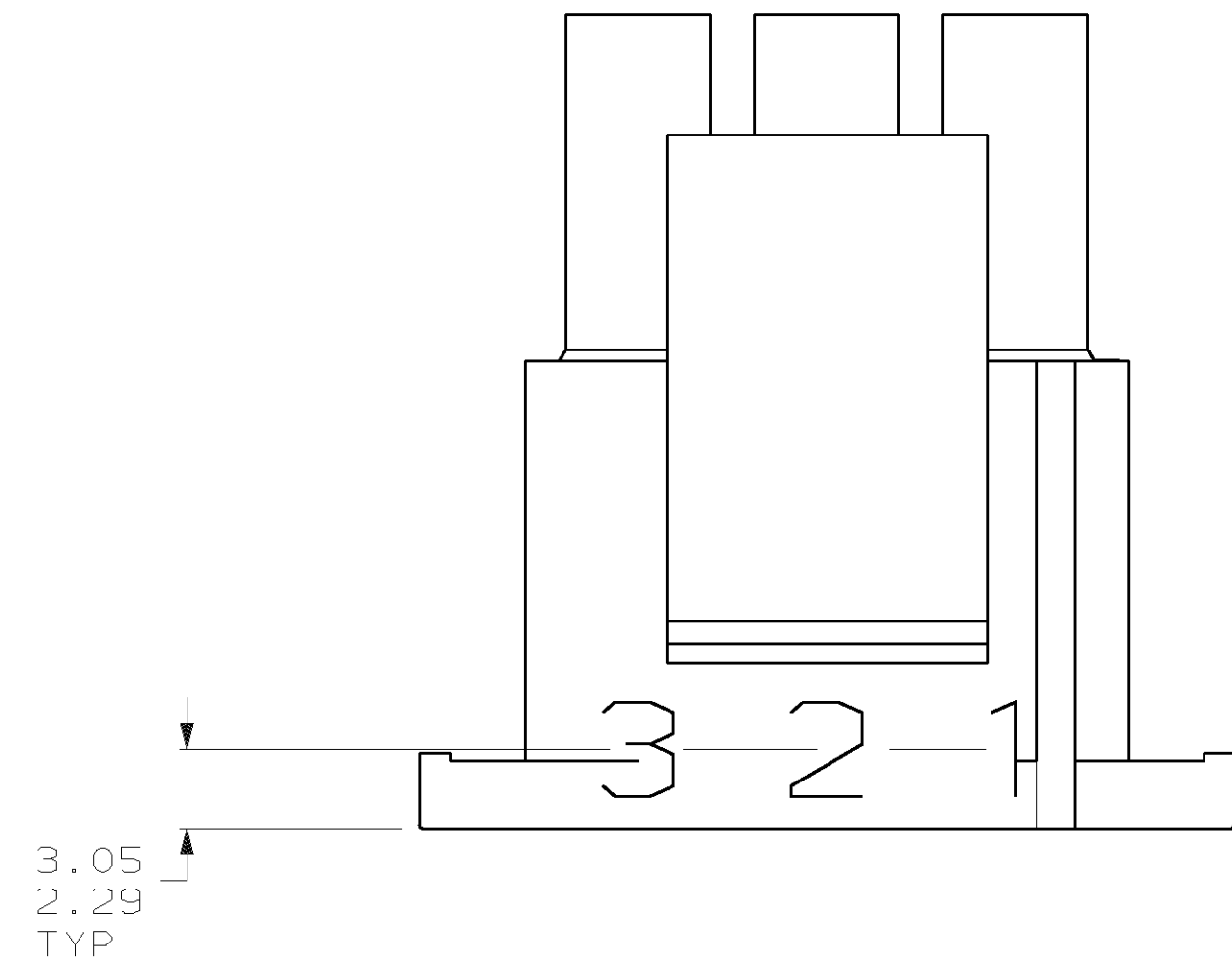
CONVERSION TABLE



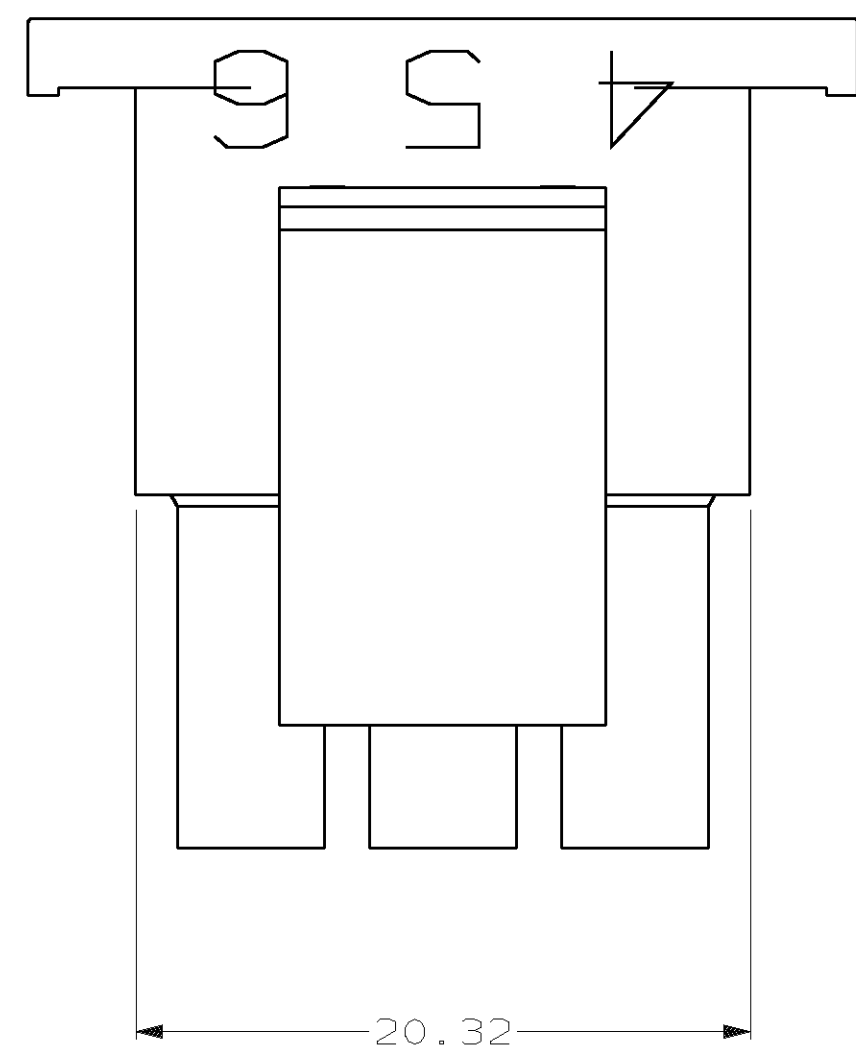
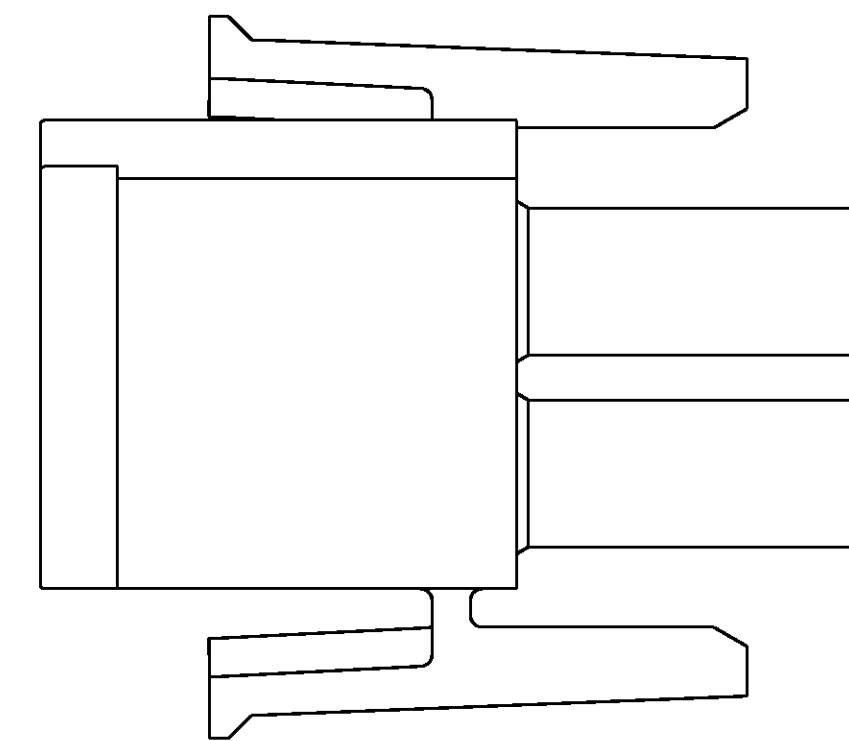
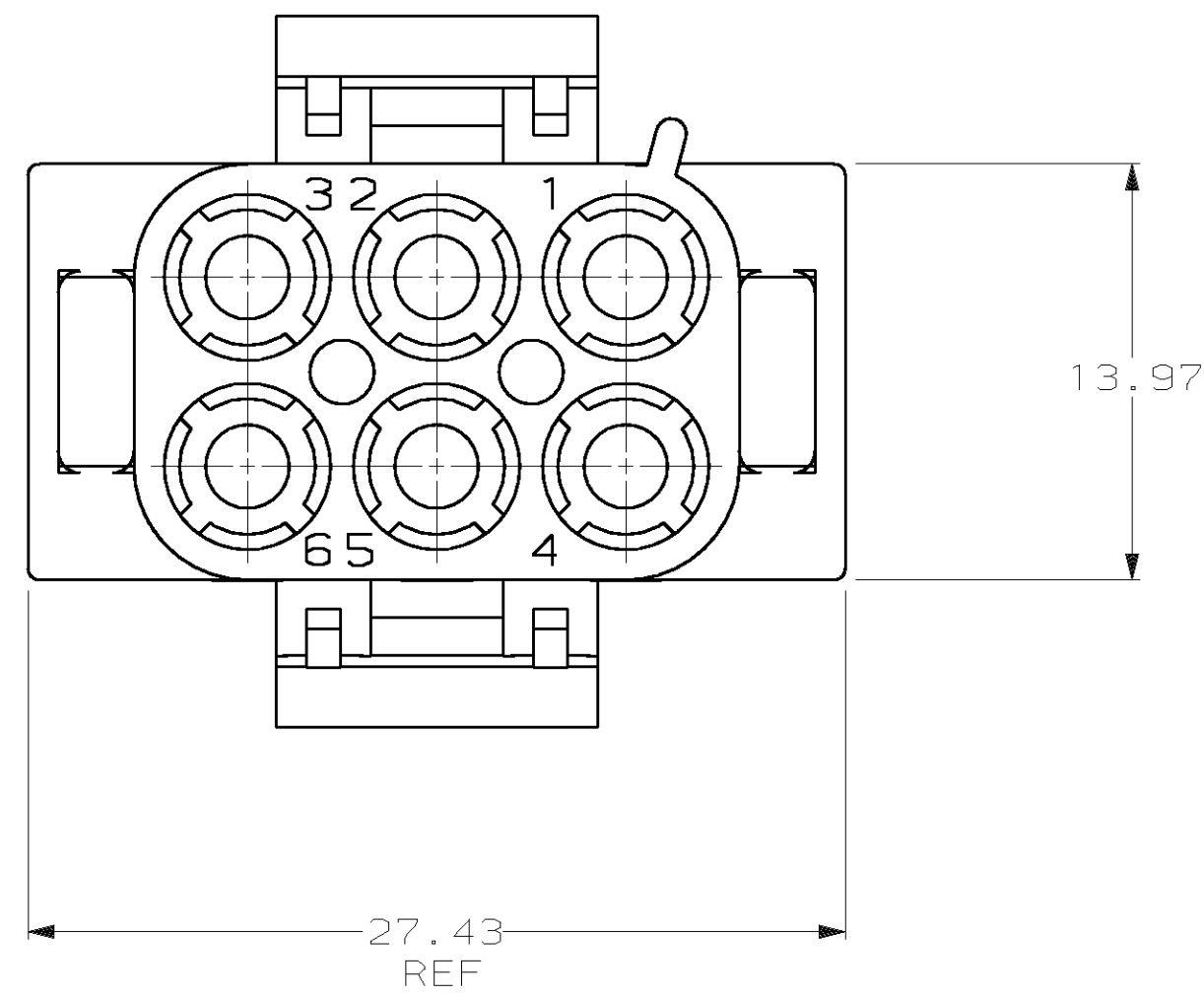
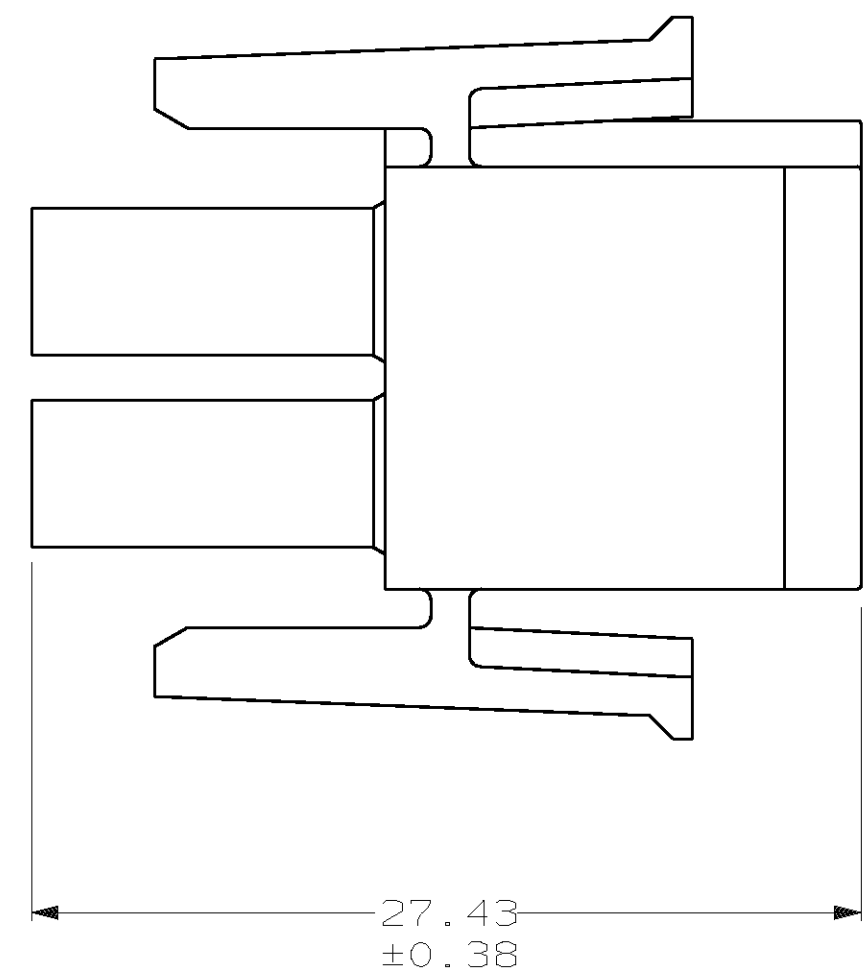
BLACK	1-480704-9
GRAY	1-480704-8
RED	1-480704-2
NATURAL	1-480704-0
COLOR	PART NO

DO NOT SCALE PRINT. UNLESS SPECIFIED DIMENSIONS IN mm [INCHES] TOLERANCES ON: 2 PLC DEC ± 0.13 3 PLC DEC ± - ANGLES ± 0°30'	DR 1-2-92 K. WHITAKER CHK 1-2-92 R. SWING APPD 1-2-92 D. SELF APPD 1-2-92 D. SELF PRODUCT SPEC -	AMP AMP Incorporated Harrisburg, PA 17105-3608	
MATERIAL NYLON, UL 94V-2	APPLICATION SPEC -	NAME PLUG, 6 CIRCUIT, UNIVERSAL MATE-N-LOK™	
FINISH -	WEIGHT -	SIZE D	CAGE CODE 00779
		DRAWING NO 480704	SHEET 1 OF 2
		SCALE 4:1	

LOC		DIST		P		F		ZONE		LTR		REVISIONS		
CM	53											DESCRIPTION	DATE	APPD
												AL SEE SHEET 1		



1. STAMP NUMBERS 3.18 HIGH AT WIRE END OF HOUSING (12 POINT DAVID TYPE).
2. CHARACTERS TO BE POSITIONED ON HOUSING TO BE READ FROM WIRE END ONLY.
3. VIOLET, BLACK, BROWN, AND BLUE COLORED BLOCKS TO BE STAMPED WITH WHITE CHARACTERS. ALL OTHER COLORED BLOCKS TO BE STAMPED WITH BLACK CHARACTERS.



3.05	.120	27.43	1.080
2.29	.090	20.32	.800
0.38	.015	13.97	.550
0.13	.005	3.18	.125
MM	IN	MM	IN

CONVERSION TABLE

METRIC

DO NOT SCALE PRINT. UNLESS SPECIFIED DIMENSIONS IN mm [INCHES]		DR 1-2-92 K. WHITAKER		NATURAL		2-480704-0	
TOLERANCES ON:		CHK 1-2-92 R. SWING		COLOR		PART NO	
2 PLC DEC ± 0.13		APPD 1-2-92 D. SELF		AMP Incorporated Harrisburg, PA 17105-3608			
3 PLC DEC ± -		APPD 1-2-92 D. SELF					
ANGLES ± 0°30'		PRODUCT SPEC -		NAME PLUG, 6 CIRCUIT, UNIVERSAL MATE-N-LOK™			
MATERIAL -		APPLICATION SPEC -		SIZE	CAGE CODE	DRAWING NO	
FINISH -		WEIGHT -		D	00779	480704	
				SCALE	SHEET		
				4:1	2 OF 2		