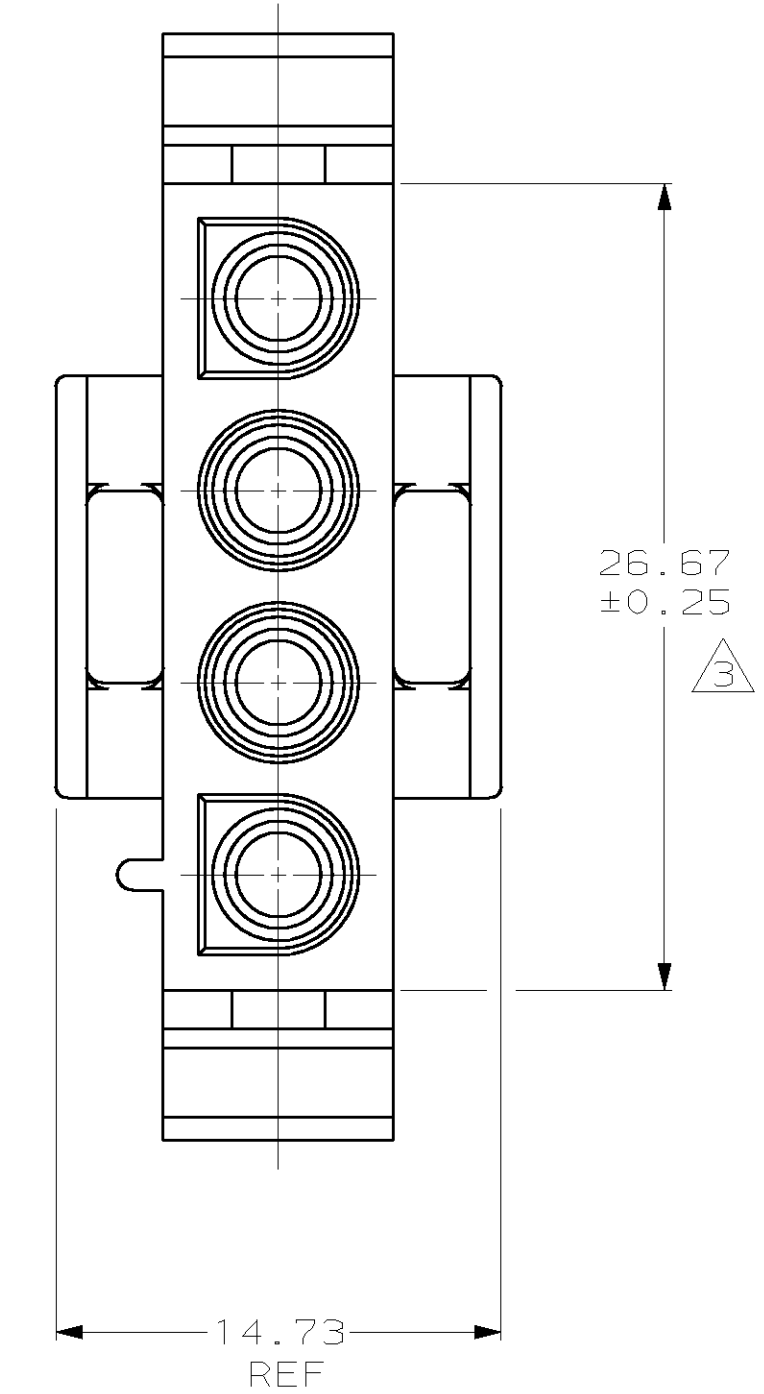
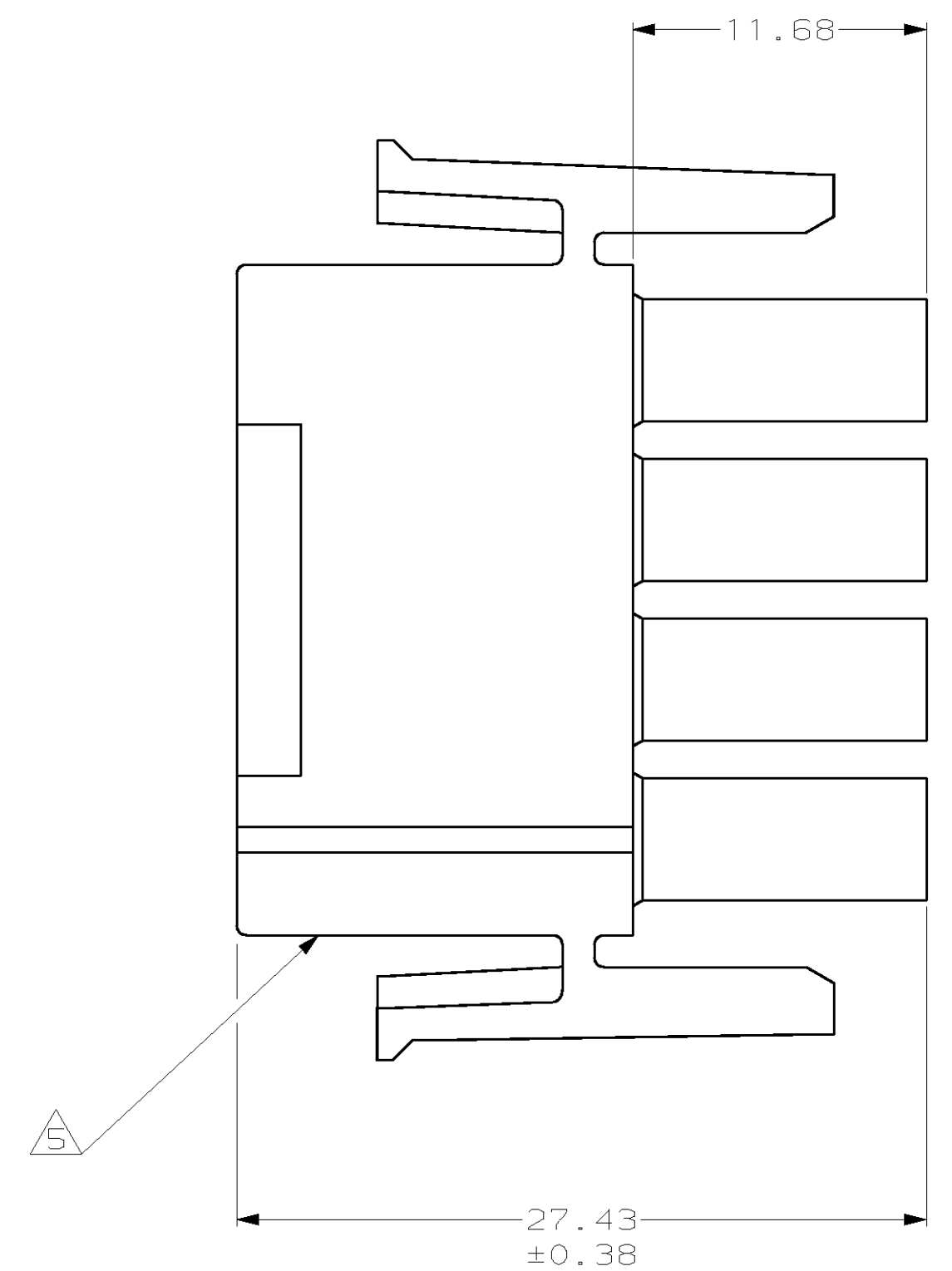
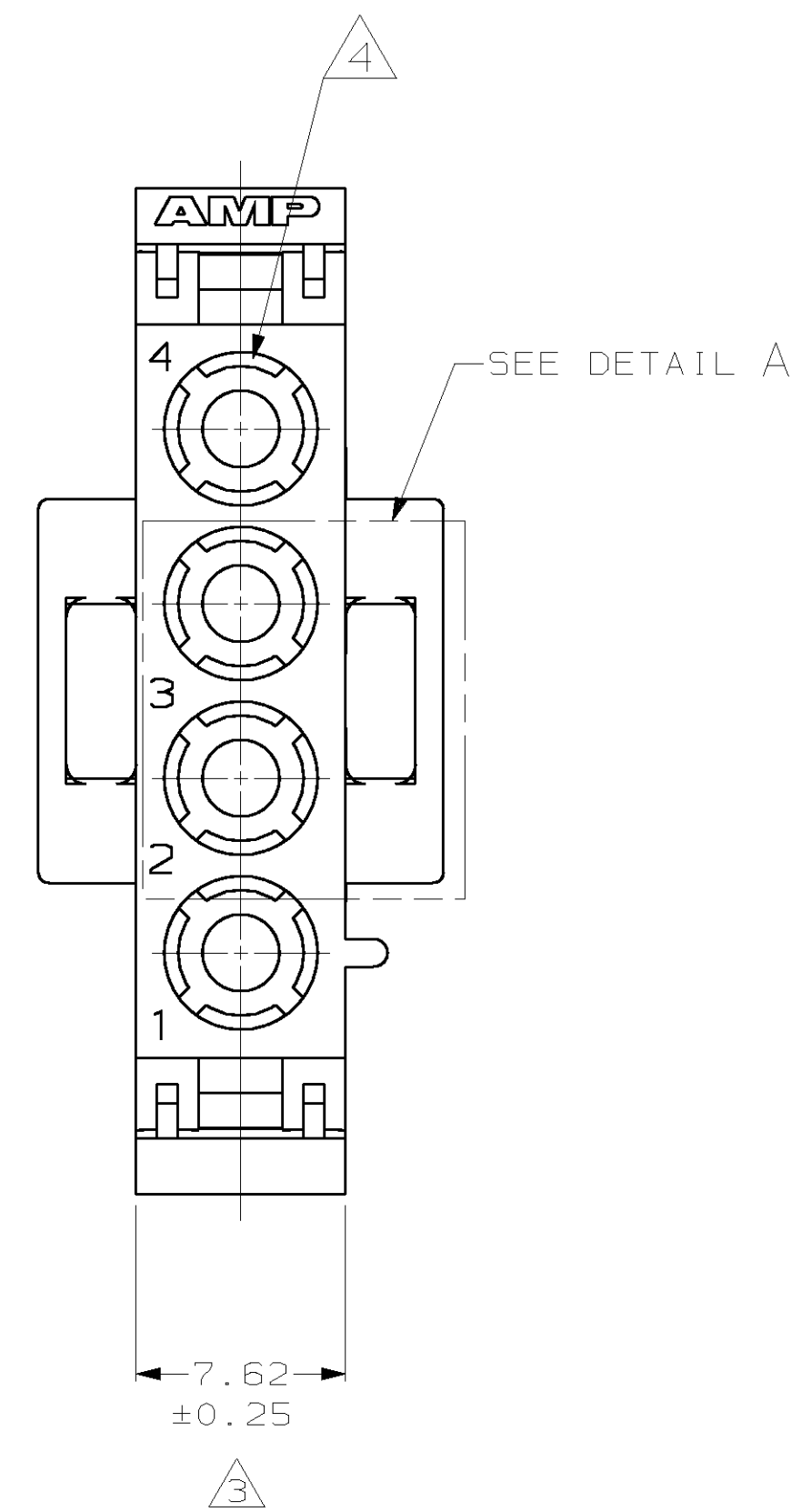
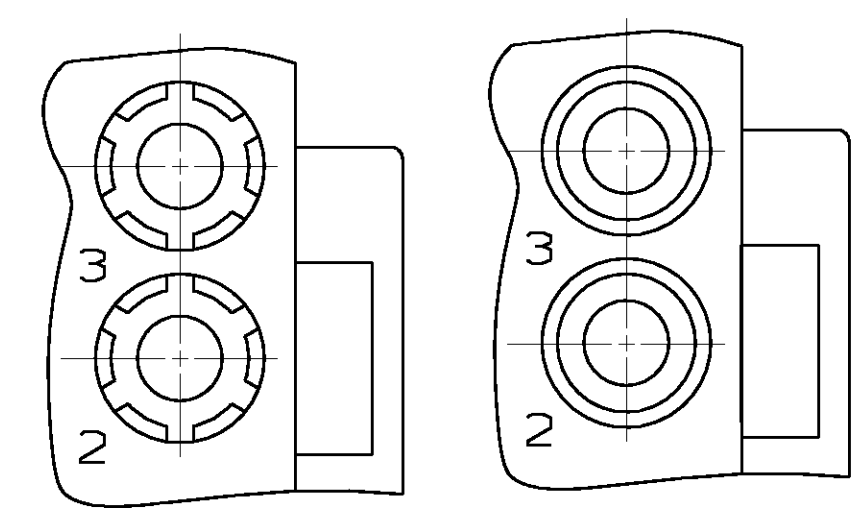
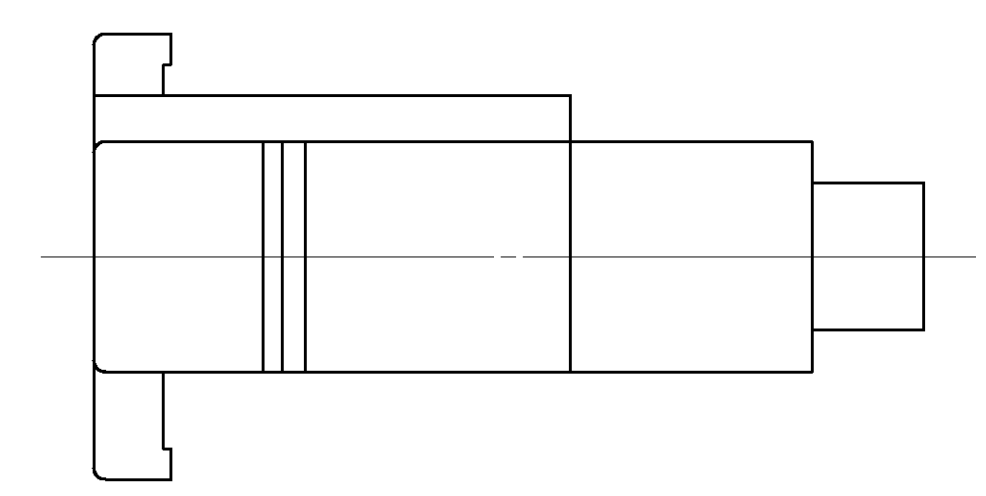


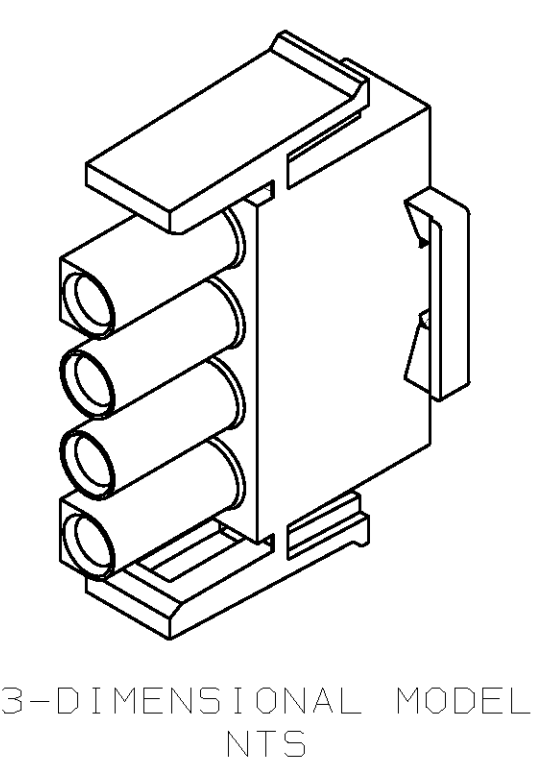
LOC	DIST	REV	DATE	BY	CHK	APPV
CM	53	AM	21-MAY-02	EC	KW	SR



- MATES WITH APPROPRIATE UNIVERSAL MATE-N-LOK™ CAP OR HEADER.
 - SMALL NICKS ARE PERMITTED ON THE CIRCUIT TOWERS WHICH COULD INCREASE THE INITIAL HOUSING MATING FORCE BY UP TO 4.4 NEWTONS [1.0 LBS]. NO INDIVIDUAL NICKED TOWER SHALL INCREASE THIS FORCE BY OVER 2.2 NEWTONS [.5 LBS].
- 3 DIMENSION INDICATED IS AS MOLDED. ADDITIONAL GROWTH DUE TO SUBSEQUENT MOISTURE ABSORPTION MAY OCCUR.
 4 FOUR RIBS EQUALLY SPACED, NO SPECIFIC ORIENTATION. NO RIBS OR SIX RIBS EQUALLY SPACED, NO SPECIFIC ORIENTATION, OPTIONAL.
 5 UNDERWRITERS RECOGNIZED COMPONENT LOGO AND CSA CERTIFICATION LOGO TO BE LOCATED ONCE EACH ON SIDE OF HOUSING.



DETAIL A
OPTIONAL CONSTRUCTION



MM	IN
27.43	1.080
26.67	1.050
14.73	.580
11.68	.460
7.62	.300
0.38	.015
0.25	.010
0.13	.005
MM	IN

CONVERSION TABLE

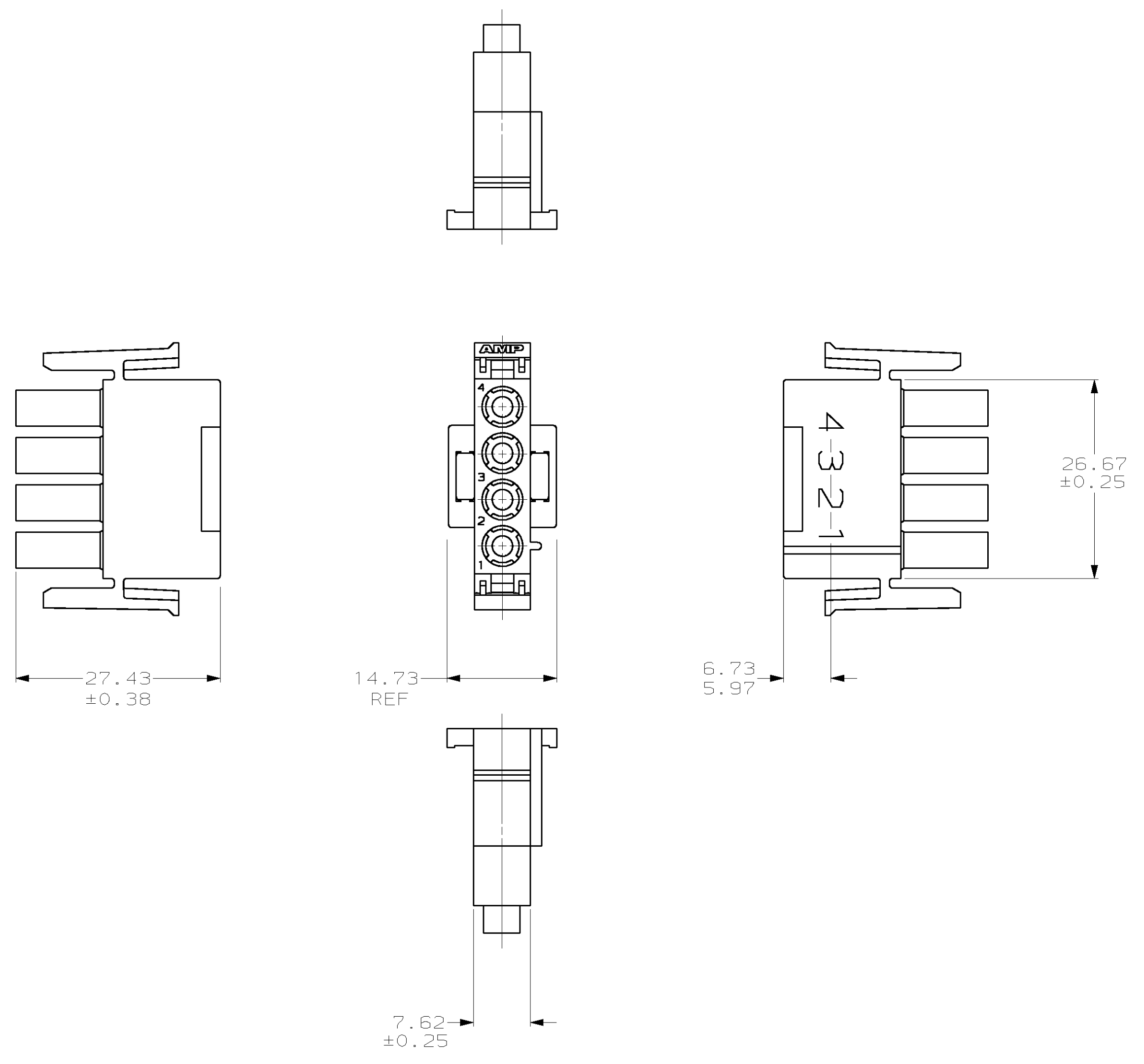
PINK	3-480702-0
BLACK	1-480702-9
RED	1-480702-2
BROWN	1-480702-1
NATURAL	1-480702-0
COLOR	PART NUMBER

AMP Incorporated
 Harrisburg, PA 17105-3608
AMP
 PLUG
 4 CIRCUIT,
 UNIVERSAL MATE-N-LOK™
 SIZE: A1 CAGE CODE: 00779 DRAWING NO: C-480702
 SCALE: 4:1 SHEET: 1 OF 2 REV: AM
 CUSTOMER DRAWING



LOC	QTY	REV	DESCRIPTION	DATE	OWN	APPV
CM	53		SEE SHEET 1			

1. STAMP NUMBERS 3.18 HIGH AT WIRE END OF HOUSING (12 POINT DAVID TYPE).
2. CHARACTERS TO BE POSITIONED ON HOUSING TO BE READ FROM WIRE END ONLY.
3. VIOLET, BLACK, BROWN, AND BLUE COLORED BLOCKS TO BE STAMPED WITH WHITE CHARACTERS. ALL OTHER COLORED BLOCKS TO BE STAMPED WITH BLACK CHARACTERS.



MM	IN	MM	IN
6.73	.265	-	-
5.97	.235	-	-
3.18	.125	27.43	1.080
0.38	.015	26.67	1.050
0.25	.010	14.73	.580
0.13	.005	7.62	.300
MM	IN	MM	IN

CONVERSION TABLE



<small>THIS DRAWING IS A CONTROLLED DOCUMENT AND IS UNPUBLISHED. IT IS SUBJECT TO CHANGE AND THE CONTROLLING ENGINEERING DEPARTMENT SHALL BE CONTACTED FOR THE LATEST REVISION.</small>		DWN: VESTAL 2-08-95 CHK: SWING 2-08-95 APPV: D. SELE 2-08-95	AMP Incorporated Harrisburg, PA 17105-3608
DIMENSIONS: mm 	TOLERANCES UNLESS OTHERWISE SPECIFIED: Ø PL/C ±.013 PL/C ±.013 PL/C ±.013 PL/C ±.013 ANGLE 10°/30° FINISH -	SIZE: A1 CAGE CODE: 00779 DRAWING NO: C-480702	PLUG 4 CIRCUIT, UNIVERSAL MATE-N-LOK™ SCALE: 2:1 SHEET: 22 REV: AM
MATERIAL: -		CUSTOMER DRAWING	