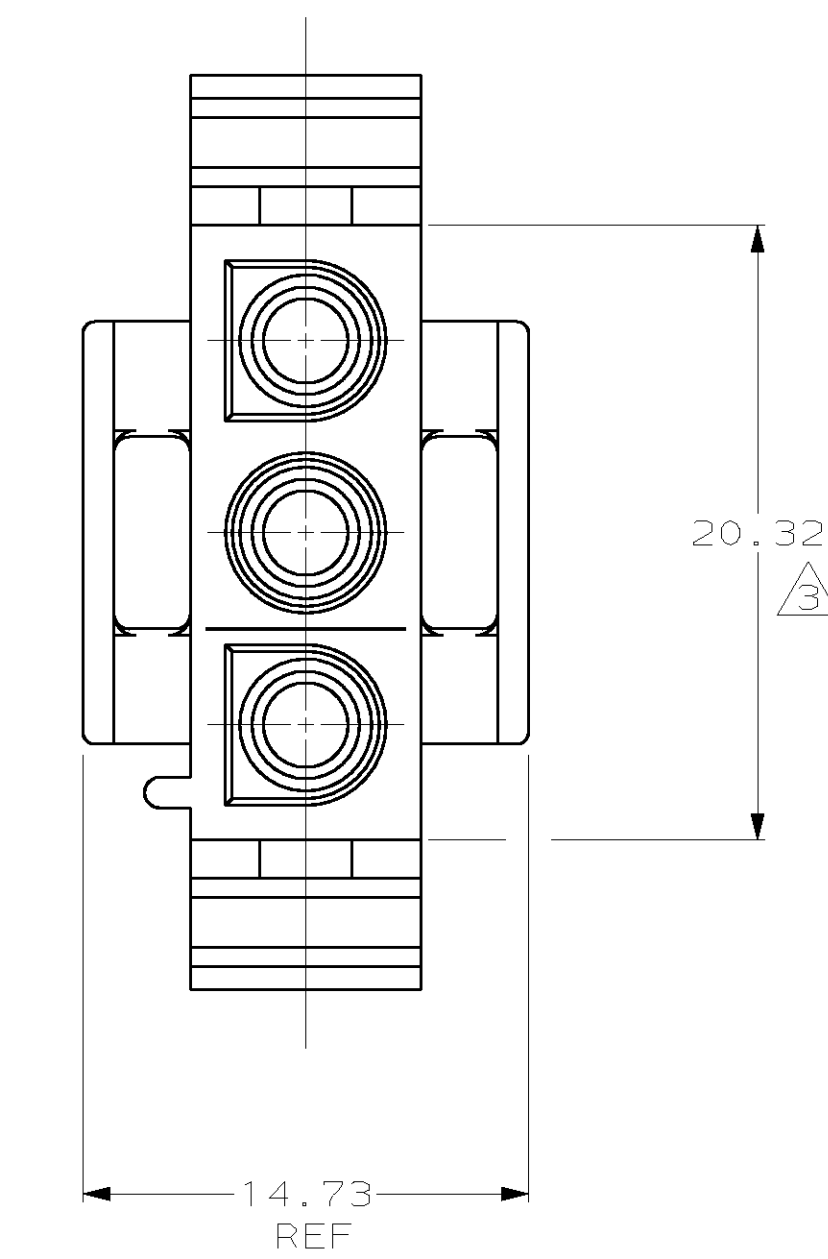
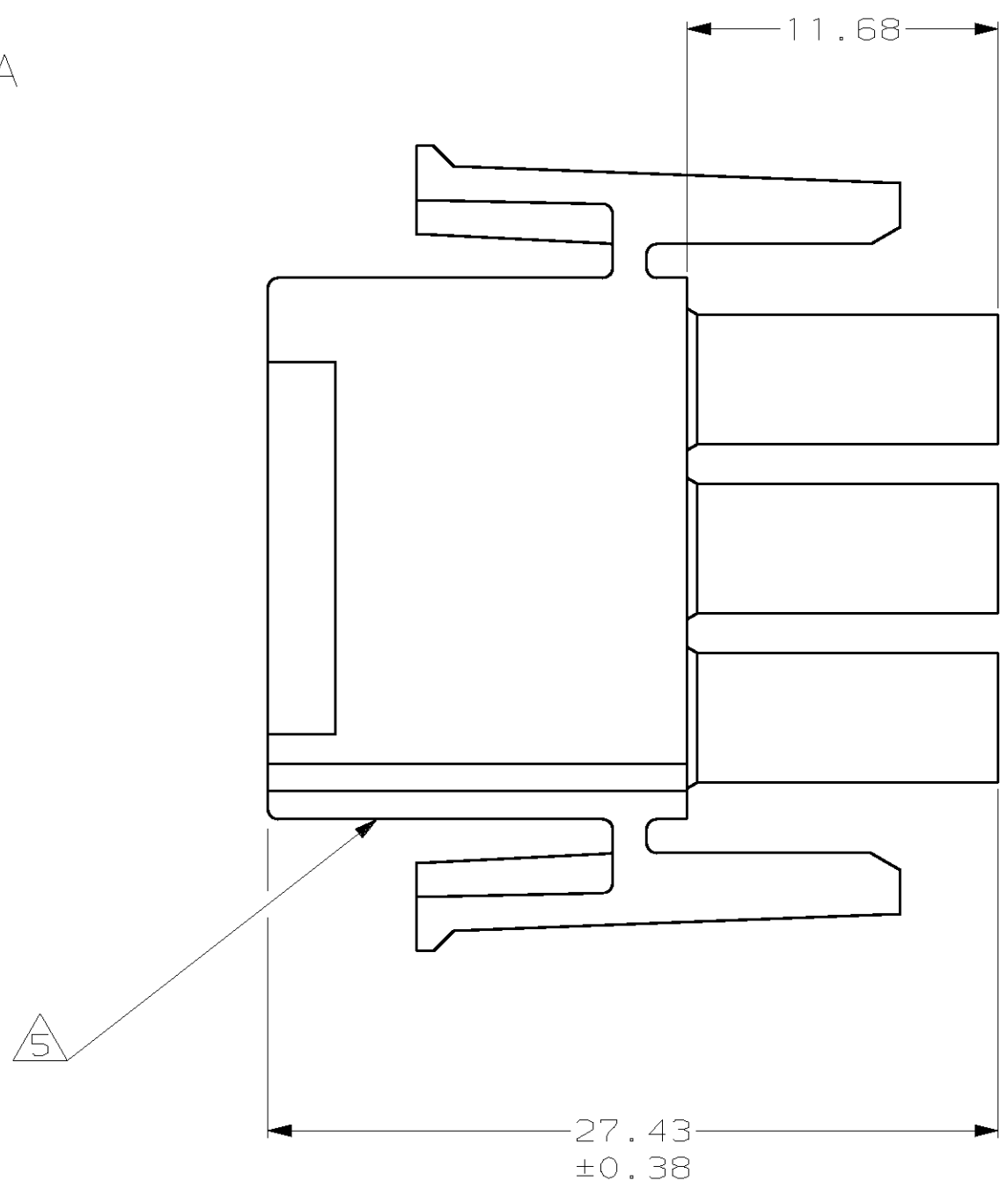
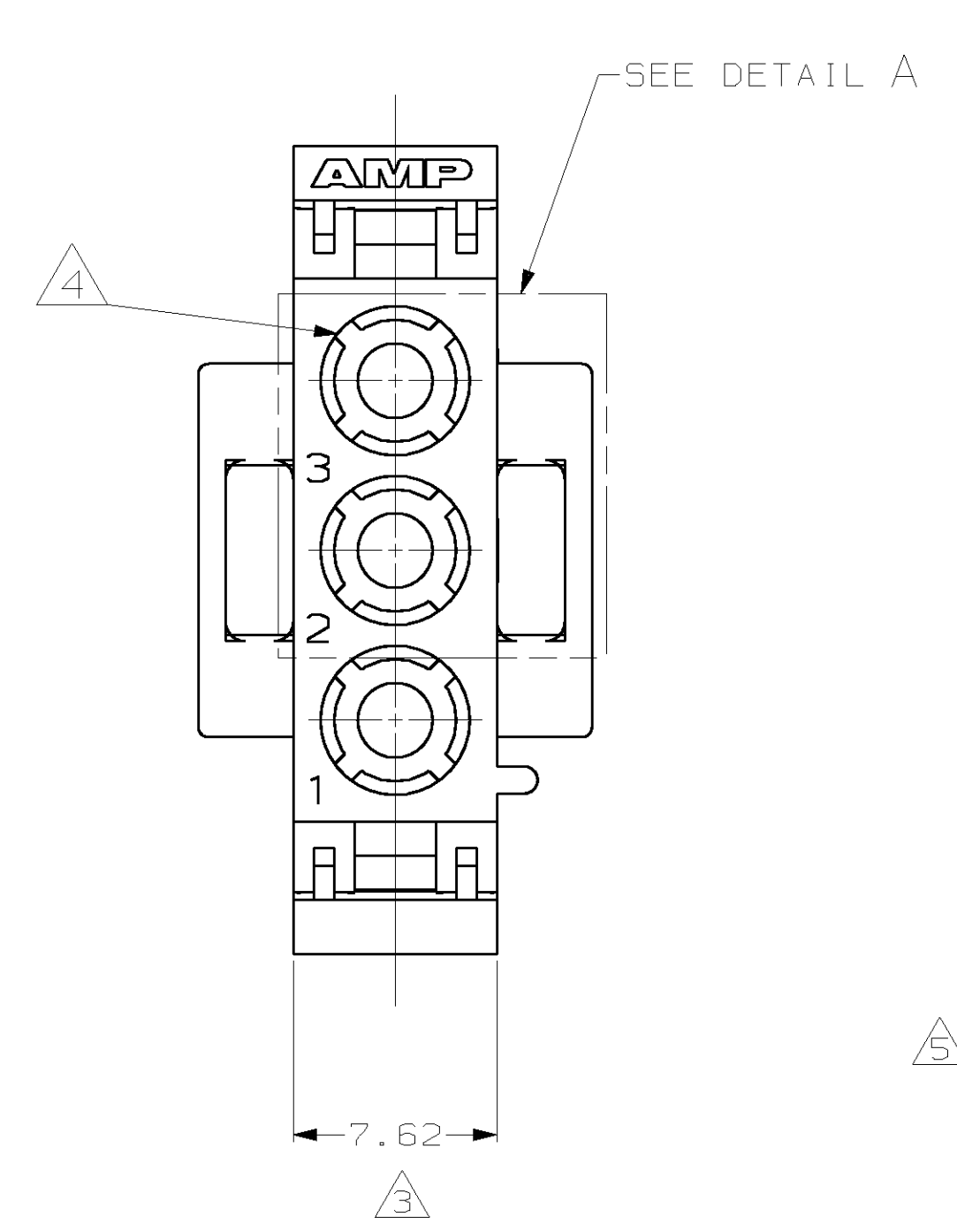
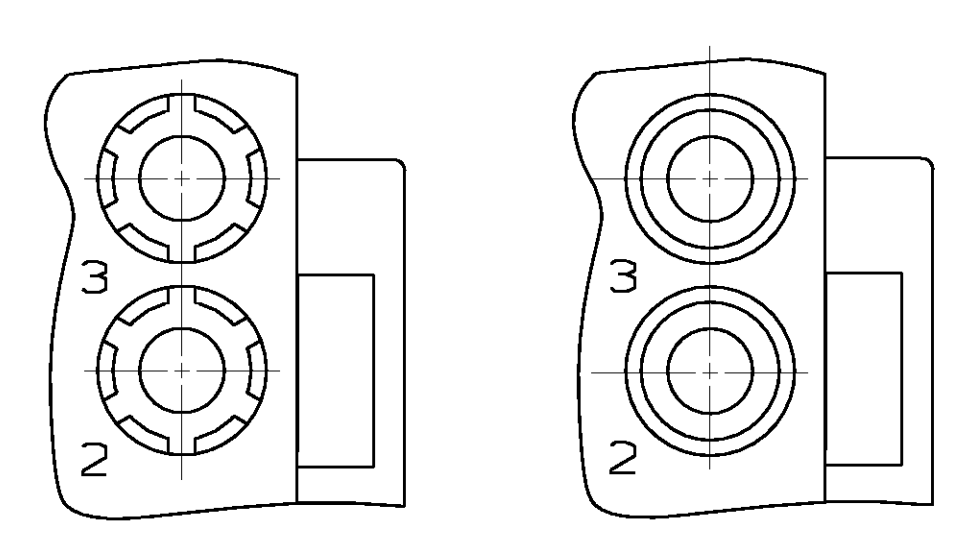
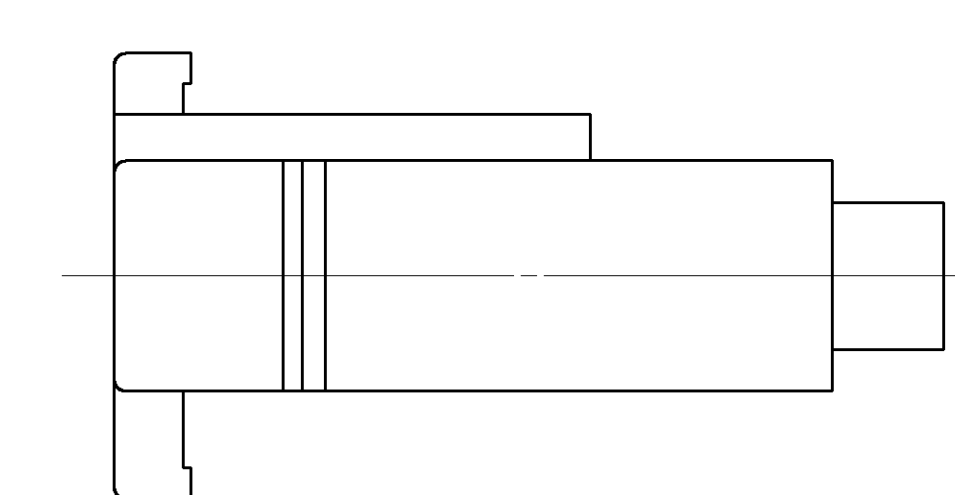


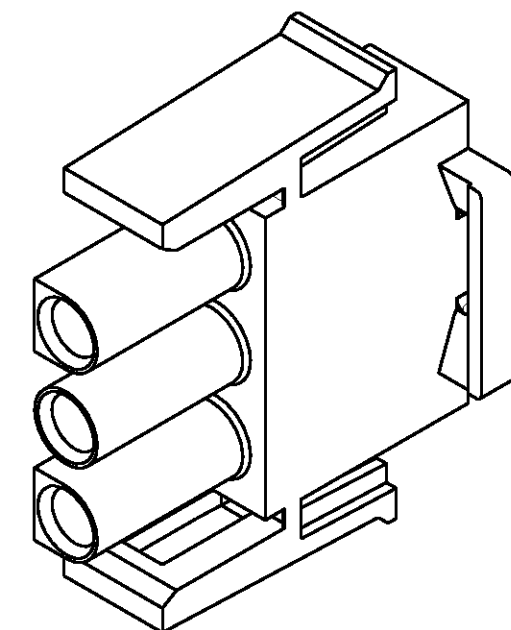
LOC		DIST		REVISIONS			
TR	LYR	DATE	OWN	APPROV	DESCRIPTION	DATE	OWN
AP		26-APR-02	KW	SR	REVISED PER EC 063B-0224-02		



- MATES WITH APPROPRIATE UNIVERSAL MATE-N-LOK™ CAP OR HEADER.
 - SMALL NICKS ARE PERMITTED ON THE CIRCUIT TOWERS WHICH COULD INCREASE THE INITIAL HOUSING MATING FORCE BY UP TO 4.4 NEWTONS [1.0 LBS]. NO INDIVIDUAL NICKED TOWER SHALL INCREASE THIS FORCE BY OVER 2.2 NEWTONS [0.5 LBS].
- ③ DIMENSION INDICATED IS AS MOLDED. ADDITIONAL GROWTH DUE TO SUBSEQUENT MOISTURE ABSORPTION MAY OCCUR.
 - ④ FOUR RIBS EQUALLY SPACED, NO SPECIFIC ORIENTATION. NO RIBS OR SIX RIBS EQUALLY SPACED, NO SPECIFIC ORIENTATION, OPTIONAL.
 - ⑤ UNDERWRITERS RECOGNIZED COMPONENT LOGO AND CSA CERTIFICATION LOGO TO BE LOCATED ONCE EACH ON SIDE OF HOUSING.



DETAIL A
OPTIONAL CONSTRUCTION



3-DIMENSIONAL MODEL
NTS

MM	IN
27.43	1.080
20.32	.800
14.73	.580
11.68	.460
7.62	.300
0.38	.015
0.13	.005
MM	IN

CONVERSION TABLE



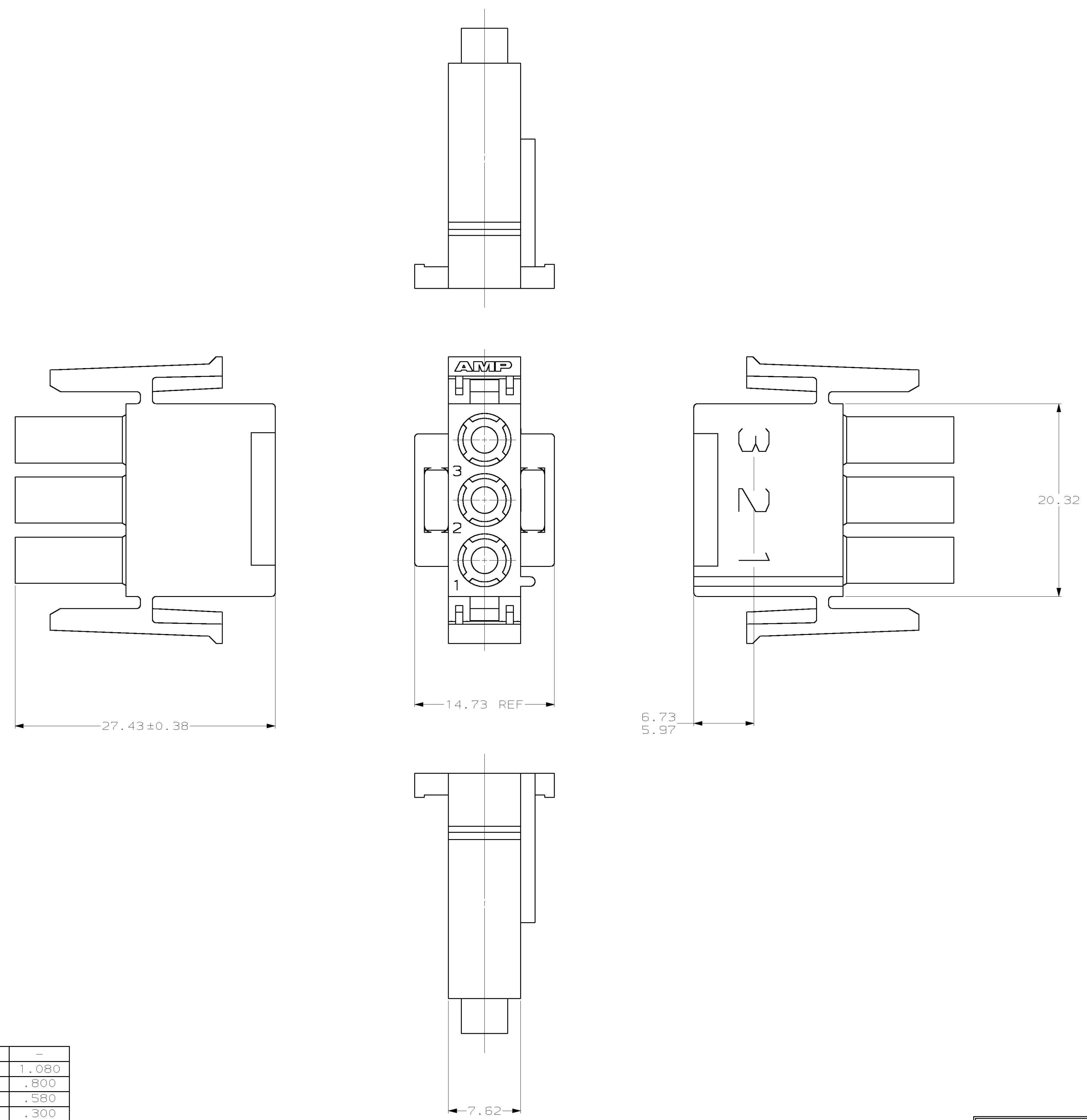
BLUE	1-480700-6
GREEN	1-480700-5
RED	1-480700-2
NATURAL	1-480700-0
COLOR	PART NUMBER

<small>THIS DRAWING IS A CONTROLLED DOCUMENT AND IS UNPUBLISHED. IT IS SUBJECT TO CHANGE AND THE CONTROLLING ENGINEERING DEPARTMENT SHALL BE ADVISED FOR THE LATEST REVISION.</small>		DWN: VESTAL 1-18-95 CHK: SWING 1-18-95 APP'D: SELF 1-18-95	AMP AMP Incorporated Harrisburg, PA 17105-3608
DIMENSIONS: mm (INCHES)	TOLERANCES UNLESS OTHERWISE SPECIFIED: Ø PLG ±. 1 PLG ±. 2 PLG ±0.13(.005) 3 PLG ±. 4 PLG ±. ANGLES FINISH 10°/30°	PRODUCT SPEC APPLICATION SPEC HEIGHT	PLUG 3 CIRCUIT, UNIVERSAL MATE-N-LOK™ SIZE: A1 CAGE CODE: 00779 DRAWING NO: C-480700 SCALE: 4:1 SHEET: 1 OF 2 REV: AP
MATERIAL: NYLON, UL 94V-2		CUSTOMER DRAWING	AMP Incorporated

LOC	QTY	REV	DATE	BY	APPV
CM	53				

REVISIONS					
NO	DATE	DESCRIPTION	DATE	BY	APPV
-	-	SEE SHEET 1	-	-	-

1. STAMP NUMBERS 3.18 HIGH AT WIRE END OF HOUSING (12 POINT DAVID TYPE).
2. CHARACTERS TO BE POSITIONED ON HOUSING TO BE READ FROM WIRE END ONLY.
3. VIOLET, BLACK, BROWN, AND BLUE COLORED BLOCKS TO BE STAMPED WITH WHITE CHARACTERS. ALL OTHER COLORED BLOCKS TO BE STAMPED WITH BLACK CHARACTERS.



MM	IN	MM	IN
6.73	.265	-	-
5.97	.235	27.43	1.080
3.18	.125	20.32	.800
0.38	.015	14.73	.580
0.13	.005	7.62	.300
MM	IN	MM	IN

CONVERSION TABLE

METRIC

<small>THIS DRAWING IS A CONTROLLED DOCUMENT AND IS UNPUBLISHED. IT IS SUBJECT TO CHANGE AND THE CONTROLLING ENGINEERING DEPARTMENT SHALL BE ADVISED FOR THE LATEST REVISION.</small>		DWN: VESTAL 2-21-95 CHK: SWING 2-21-95 D: SELF 2-21-95 PRODUCT SPEC: - APPLICATION SPEC: - MATERIAL: - FINISH: -	AMP Incorporated Harrisburg, PA 17105-3608 AMP PLUG, 3 CIRCUIT, UNIVERSAL MATE-N-LOK™
DIMENSIONS: mm 	TOLERANCES UNLESS OTHERWISE SPECIFIED: Ø PL/C ±. 1 PL/C ±. 2 PL/C ±0.13 3 PL/C ±. 4 PL/C ±. ANGLES 10° 30' FINISH -	SIZE: A1 CAGE CODE: 00779 DRAWING NO: C-480700 SCALE: 4:1 SHEET: 22 REV: AP	CUSTOMER DRAWING