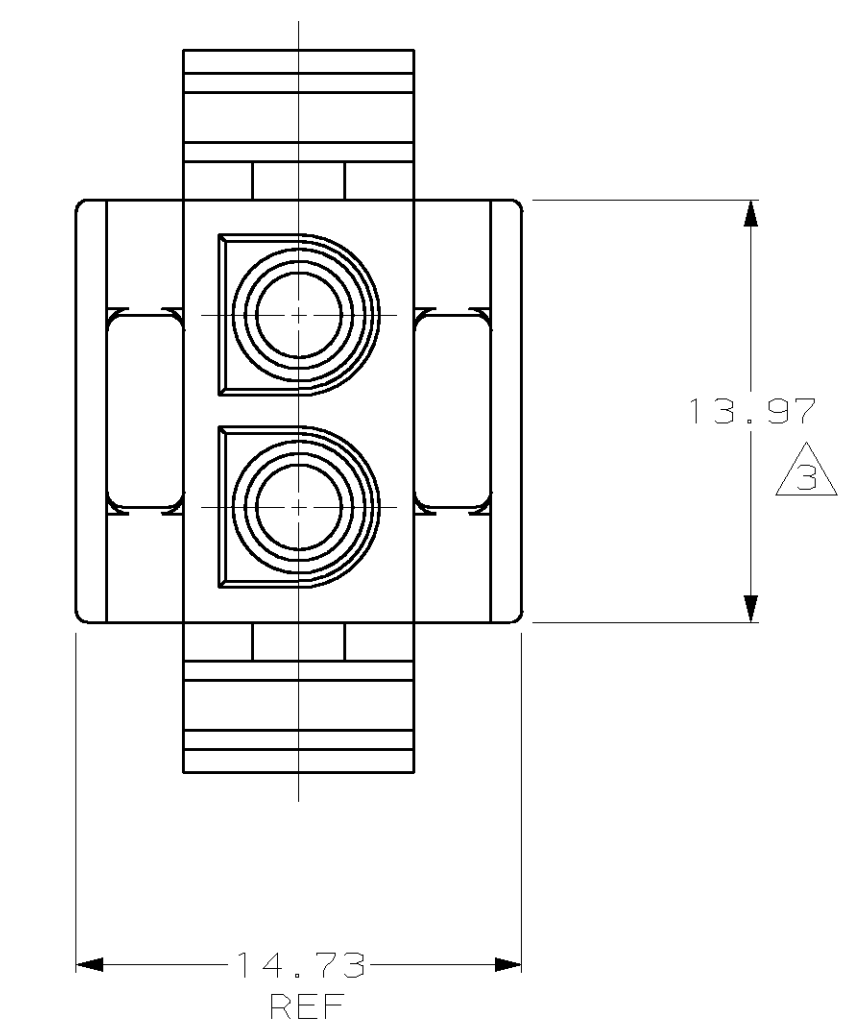
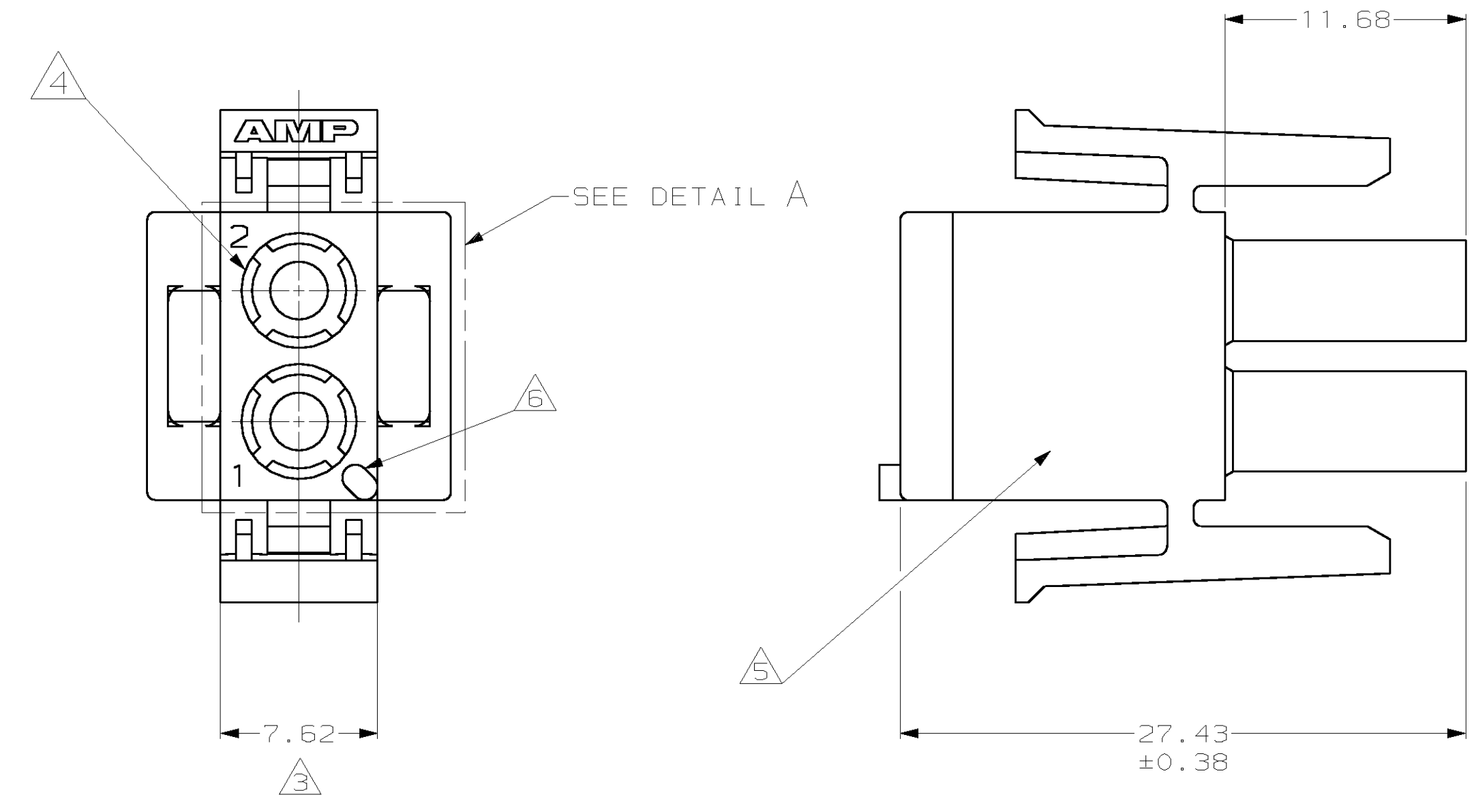
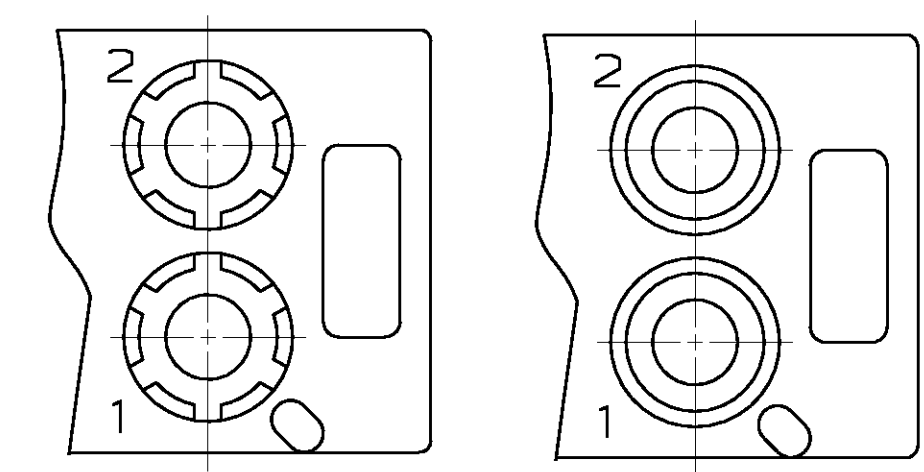
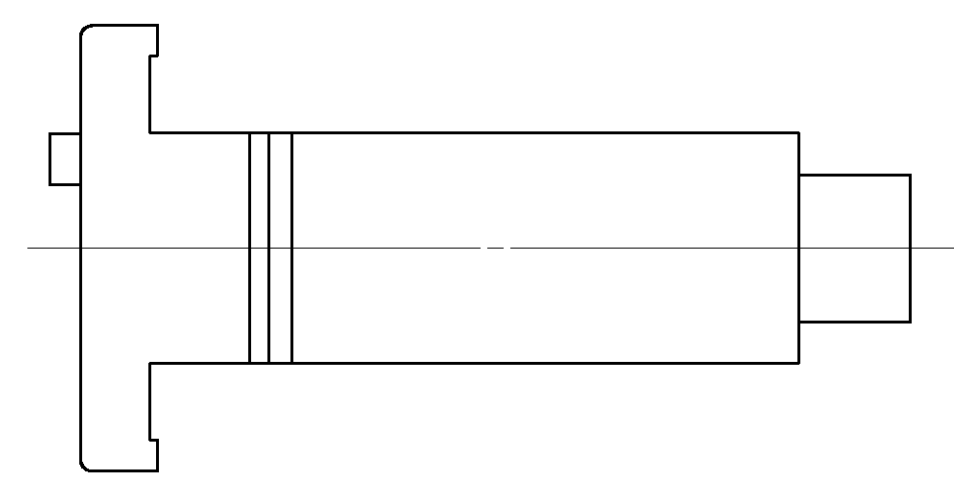


LOC	QTY	REV	DATE	BY	CHK	APPV
CM	53					

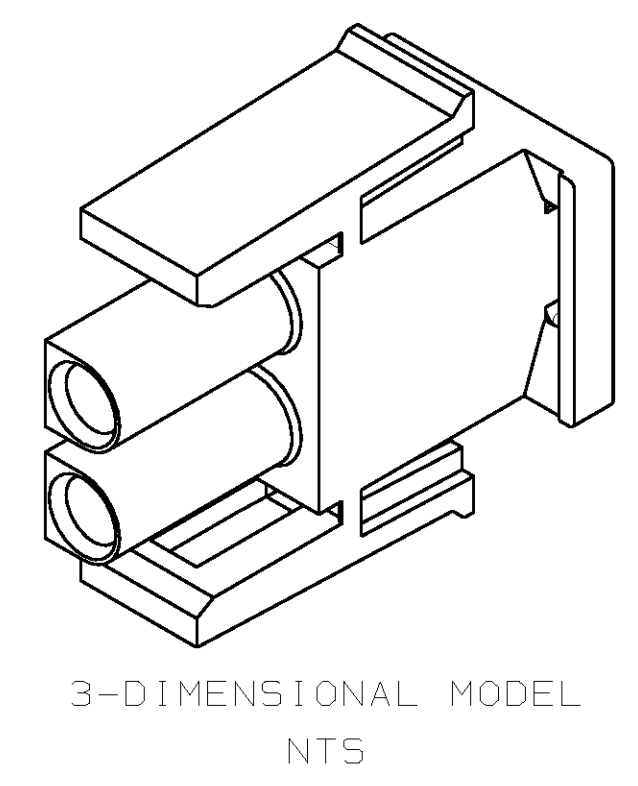
REVISIONS						
REV	DATE	BY	CHK	APPV	DESCRIPTION	DATE
AF	16-JAN-02	KW	SR		REVISED PER EC 063B-0608-01	16-JAN-02



- MATES WITH APPROPRIATE UNIVERSAL MATE-N-LOK™ CAP OR HEADER.
 - SMALL NICKS ARE PERMITTED ON THE CIRCUIT TOWERS WHICH COULD INCREASE THE INITIAL HOUSING MATING FORCE BY UP TO 4.4 NEWTONS [1.0 LBS]. NO INDIVIDUAL NICKED TOWER SHALL INCREASE THIS FORCE BY OVER 2.2 NEWTONS [0.5 LBS].
- 3 DIMENSION INDICATED IS AS MOLDED. ADDITIONAL GROWTH DUE TO SUBSEQUENT MOISTURE ABSORPTION MAY OCCUR.
4 FOUR RIBS EQUALLY SPACED, NO SPECIFIC ORIENTATION. NO RIBS OR SIX RIBS EQUALLY SPACED, NO SPECIFIC ORIENTATION, OPTIONAL.
5 UNDERWRITERS RECOGNIZED COMPONENT LOGO AND CSA CERTIFICATION LOGO TO BE LOCATED ONCE ON ANY SIDE OF HOUSING.
6 POSITION #1 LOCATOR FEATURE MAY BE ROUND OR OBLONG (AS DEPICTED).



DETAIL A
OPTIONAL CONSTRUCTION



MM	IN
27.43	1.080
14.73	.580
13.97	.550
11.68	.460
7.62	.300
0.38	.015
0.13	.005
MM	IN

CONVERSION TABLE

METRIC

BLACK	1-480698-9
RED	1-480698-2
NATURAL	1-480698-0
COLOR	PART NUMBER

<small>THIS DRAWING IS A CONTROLLED DOCUMENT AND IS UNCLASSIFIED. IT IS SUBJECT TO CHANGE AND THE CONTROLLING ENGINEERING DEPARTMENT SHALL BE ADVISED FOR THE LATEST REVISION.</small>		DWN: VESTAL 1-24-95 CHK: SWING 1-24-95 D: SELF 1-24-95 PRODUCT SPEC: -- APPLICATION SPEC: -- HEIGHT: --	AMP AMP Incorporated Harrisburg, PA 17105-3608 PLUG, 2 CIRCUIT, UNIVERSAL MATE-N-LOK™
DIMENSIONS: mm TOLERANCES UNLESS OTHERWISE SPECIFIED: 0 P.L.C. ± 1 P.L.C. ± 2 P.L.C. ±0.13 3 P.L.C. ± 4 P.L.C. ± ANGLES FINISH: 10°/30°	MATERIAL: NYLON, UL 94V-2 FINISH: --	SIZE: A1 CAGE CODE: 00779 DRAWING NO: C-480698 SCALE: 4:1 SHEET: 1 OF 1 REV: AF	CUSTOMER DRAWING