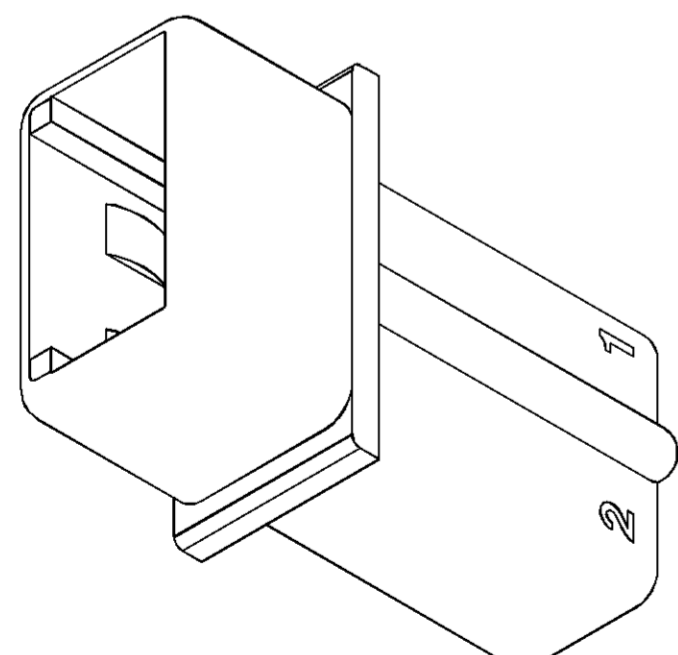
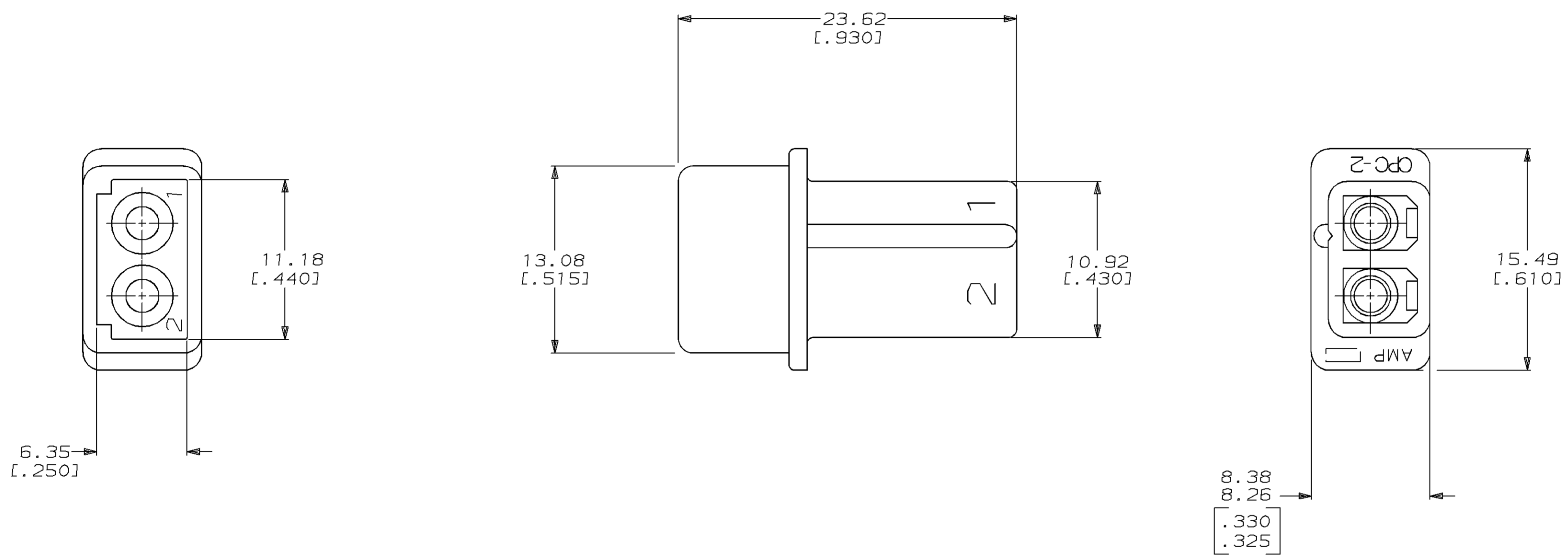


LOC		DIST		P		F		ZONE		LTR		REVISIONS		DATE	APPD
CM	53									M		REV & REDWG PER EC 0730-0001-95	2-02-95	BL	RS

1. THIS CAP TO BE USED WITH PLUG NO. 480318.
2. TO BE USED WITH APPROPRIATE COMMERCIAL MATE-N-LOK™ PINS.
3. DIMENSIONS IN BRACKETS ARE IN INCHES.



3-DIMENSIONAL MODELS
NTS

METRIC

THIS DRAWING IS A CONTROLLED DOCUMENT FOR AMP INCORPORATED. IT IS SUBJECT TO CHANGE AND THE CONTROLLING ENGINEERING ORGANIZATION SHOULD BE CONTACTED FOR THE LATEST REVISION.

BLACK	1-480319-9
YELLOW	1-480319-4
NATURAL	1-480319-0
COLOR	PART NO

DO NOT SCALE PRINT. UNLESS SPECIFIED DIMENSIONS IN mm [INCHES] TOLERANCES ON : 2 PLC DEC ± 0.13 [.005] 3 PLC DEC ± - ANGLES ± -	DR 2-02-95 B. LEWIS CHK 2-02-95 R. SWING APPD 2-09-95 C. MARTIN APPD 2-09-95 C. MARTIN	AMP AMP Incorporated Harrisburg, PA 17105-3608	
MATERIAL UL94V-2, NYLON	PRODUCT SPEC -	NAME CAP 2 CIRCUIT, COMMERCIAL MATE-N-LOK™	
FINISH -	APPLICATION SPEC -	SIZE C	CAGE CODE 00779
	WEIGHT -	SCALE 4:1	DRAWING NO G=480319
			SHEET 1 OF 1