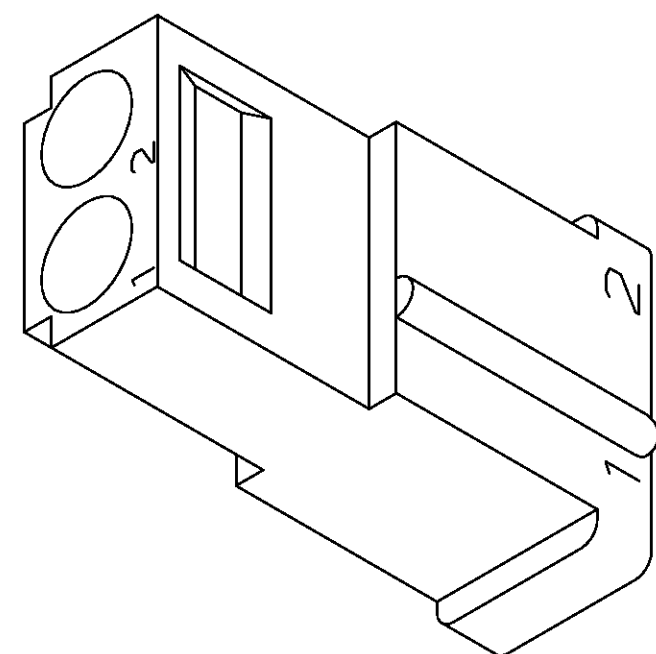
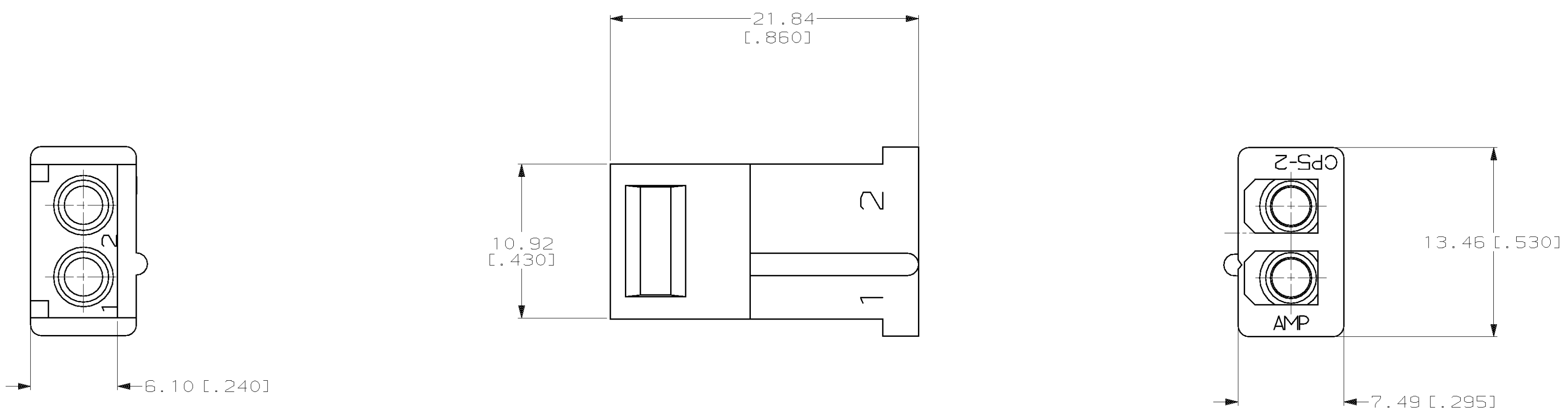


THIS DRAWING IS UNPUBLISHED. RELEASED FOR PUBLICATION, 19 .  
 © COPYRIGHT 19 BY AMP INCORPORATED. ALL INTERNATIONAL RIGHTS RESERVED.

LOC	DIST	P	F	ZONE	LTR	DESCRIPTION	DATE	APPD
CM	53					N REV PER EC 0L30-0095-96	11-6-96	JH RS

1. THIS PLUG TO BE USED WITH CAP NO. 480319.
2. TO BE USED WITH APPROPRIATE COMMERCIAL MATE-N-LOK™ SOCKETS.
3. DIMENSIONS IN BRACKETS ARE IN INCHES.



3-DIMENSIONAL MODELS  
NTS

**METRIC**

THIS DRAWING IS A CONTROLLED DOCUMENT FOR AMP INCORPORATED. IT IS SUBJECT TO CHANGE AND THE CONTROLLING ENGINEERING ORGANIZATION SHOULD BE CONTACTED FOR THE LATEST REVISION.

BLACK	1-480318-9
NATURAL	1-480318-0
COLOR	PART NO

DO NOT SCALE PRINT. UNLESS SPECIFIED DIMENSIONS IN mm [INCHES] TOLERANCES ON : 2 PLC DEC ± 0.13[.005] 3 PLC DEC ± - ANGLES ± -	DR 2-02-95 B. LEWIS	AMP Incorporated Harrisburg, PA 17105-3608
MATERIAL UL94V-2, NYLON	CHK 2-02-95 R. SWING	
FINISH -	APPD 2-09-95 C. MARTIN	NAME PLUG 2 CIRCUIT, COMMERCIAL MATE-N-LOK™
APPLIC SPEC -	APPD 2-09-95 C. MARTIN	SIZE C
WEIGHT -	PRODUCT SPEC -	CAGE CODE 00779
	APPLICATION SPEC -	DRAWING NO C=480318
		SCALE 4:1
		SHEET 1 OF 1