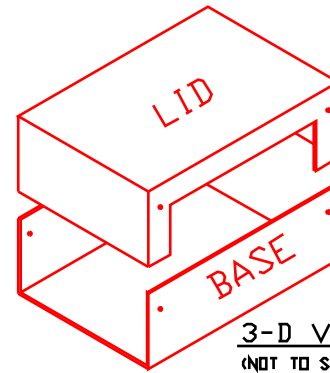


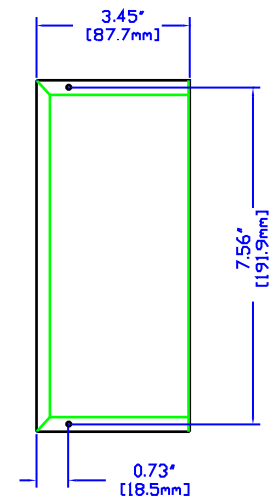
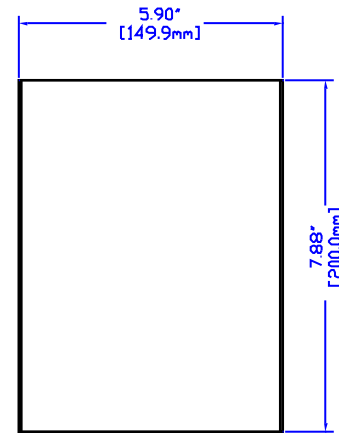
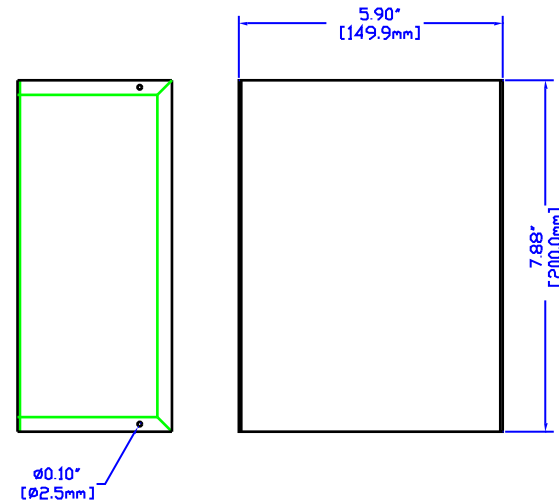
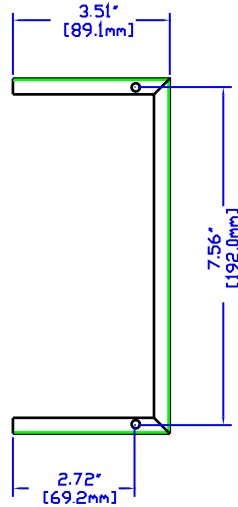
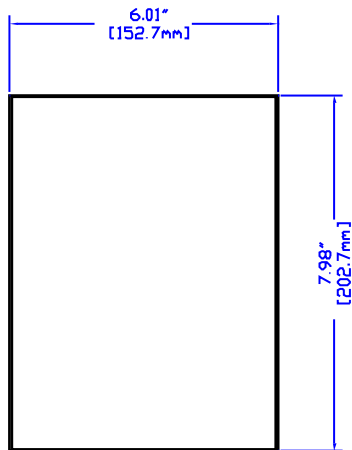
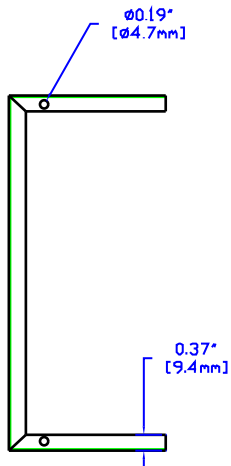
NOTES

MATERIAL - 0.040" THICK ALUMINUM
- #6 x 1/4" SELF TAPPING SCREWS

** 1411R - FINISHED ASA 61 GREY
1411RU - UNFINISHED



3-D VIEW
(NOT TO SCALE)



VIEW OF BASE (INSIDE)



VIEW OF LID (INSIDE)



HAMMOND MANUFACTURING

1411R-Handy Case

website: www.hammondmfg.com