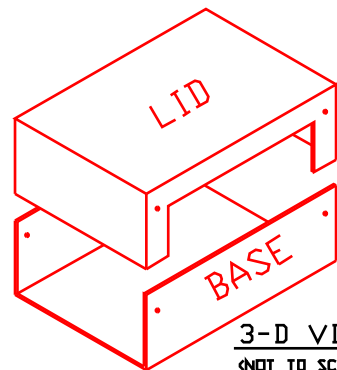


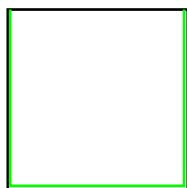
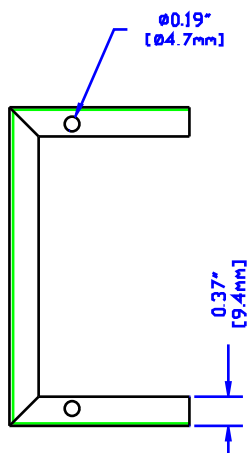
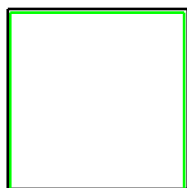
NOTES

MATERIAL - 0.040" THICK ALUMINUM
- #6 x 1/4" SELF TAPPING SCREWS

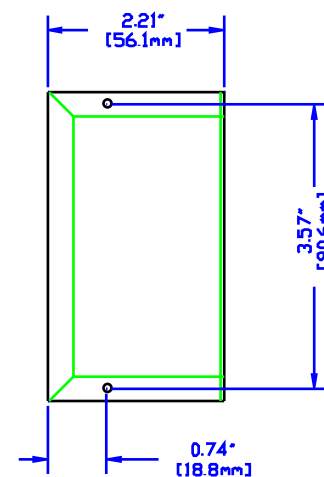
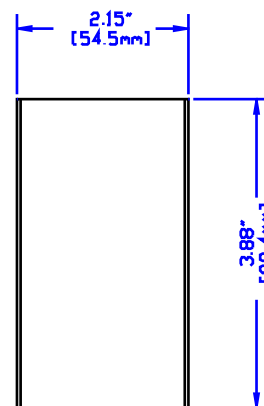
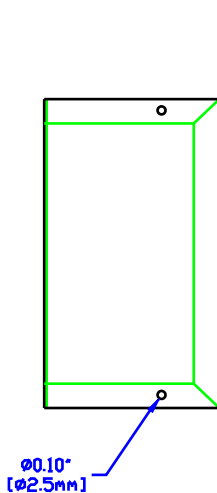
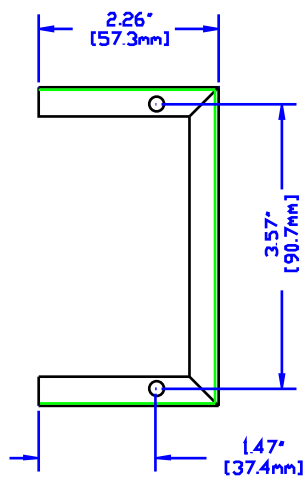
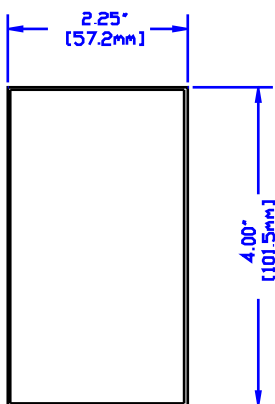
** 1411H - FINISHED ASA 61 GREY
1411HU - UNFINISHED



3-D VIEW
<NOT TO SCALE>



VIEW OF LID <INSIDE>



VIEW OF BASE <INSIDE>



HAMMOND MANUFACTURING

1411H-Handy Case

website: www.hammondmfg.com