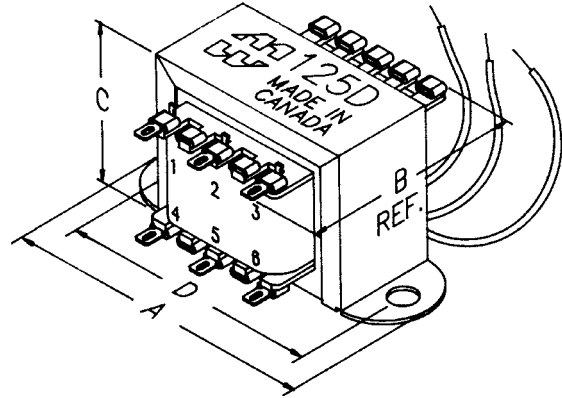
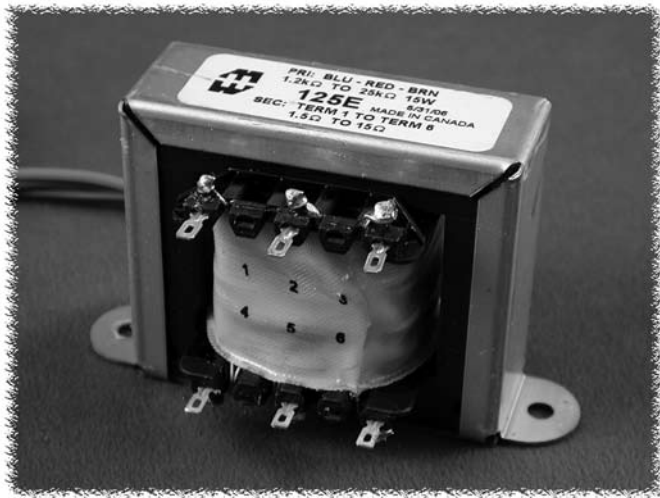


Push-Pull Output - General Purpose (125A-E Series)



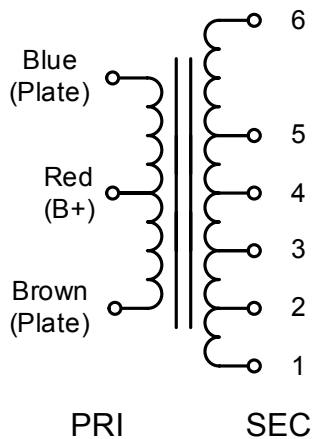
UNIVERSAL PUSH-PULL "CLASSIC" TUBE OUTPUT TRANSFORMERS

- Designed for general purpose or replacement use in push-pull tube output circuits.
- For single ended use, see our 125 SE series - optimized for single ended tube output circuits.
- Frequency response: 150 Hz. - 15 KHz (+/- 1db max. ref. 1 KHz)
- Open style with minimum 5" long primary leads, secondary solder lugs for convenient secondary connections.
- Tables provided with each transformer listing 90 pre-calculated impedance ratios.
- Primary impedances from 1,200 to 25,000 Ohms and secondary impedances from 1.5 to 15 Ohms (see chart below).

Tube Audio

Part No.	Audio Watts	Max D.C. Bias (ma)	Primary Inductance Henrys	Dimensions (Inches)					Wt. Lbs.
				A	B	C	D	G Mtg. Hole	
125A	3	25	14.94	2.06	1.25	1.19	1.75	0.187	0.19
125B	5	45	8.97	2.38	1.38	1.38	2.00	0.187	0.3
125C	8	60	5.60	2.81	1.50	1.69	2.38	0.187	0.5
125D	10	70	4.48	3.25	1.75	2.00	2.81	0.187	1
125E	15	80	2.99	3.69	2.00	2.31	3.13	0.187	1.5

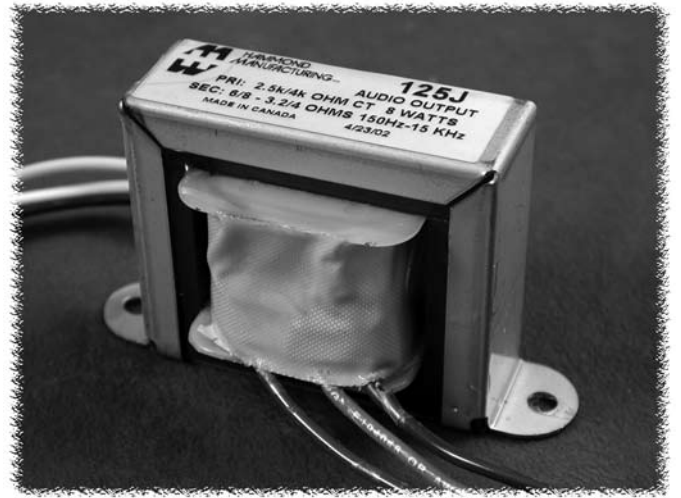
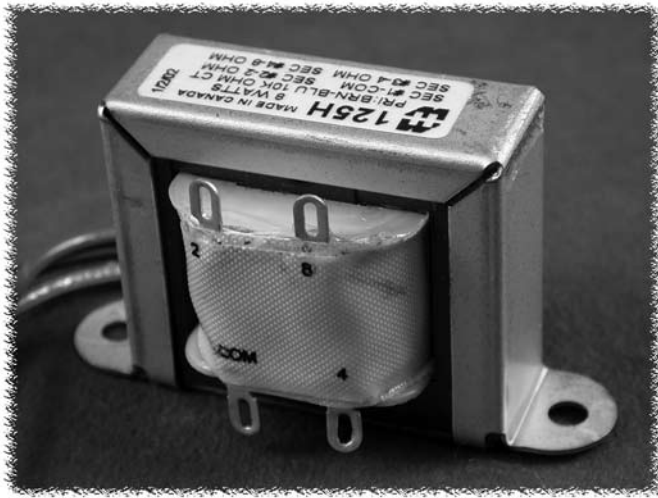
Schematic & Hook Up Data



Connect Speaker to (Sec. Lugs)	Voice Coil Impedance (Ohms)							
	1.5	2	3.2	4	6	8	12	15
	Resulting Total Primary Impedance (Blue Wire to Brown Wire)							
1 & 2	27K	-	-	-	-	-	-	-
2 & 3	18K	24K	-	-	-	-	-	-
3 & 4	16.5K	22K	-	-	-	-	-	-
4 & 5	10K	13.5K	21.6K	27K	-	-	-	-
5 & 6	8.5K	11K	18K	22K	-	-	-	-
1 & 3	5.4K	7.2K	11.5K	15K	21.6K	-	-	-
2 & 4	4.2K	5.6K	9K	11.2K	16.8K	22.5K	-	-
3 & 5	3.3K	4.4K	7K	8.8K	13.2K	17.6K	26.4K	-
4 & 6	2.4K	3.2K	5.1K	6.4K	9.6K	12.8K	19.2K	24K
1 & 4	2.15K	2.9K	4.6K	5.8K	8.7K	11.6K	17.4K	21.5K
2 & 5	1.55K	2.05K	3.3K	4.1K	6.15K	8.2K	12.3K	15.5K
3 & 6	1.3K	1.7K	2.7K	3.4K	5.1K	6.8K	10.2K	12.8K
1 & 5	-	1.4K	2.2K	2.8K	4.2K	5.6K	8.4K	10.2K
2 & 6	-	-	1.7K	2.1K	3.15K	4.2K	6.3K	8K
1 & 6	-	-	1.2K	1.5K	2.3K	3.0K	4.5K	5.6K



Push-Pull Output - General Purpose (125H-J Series)

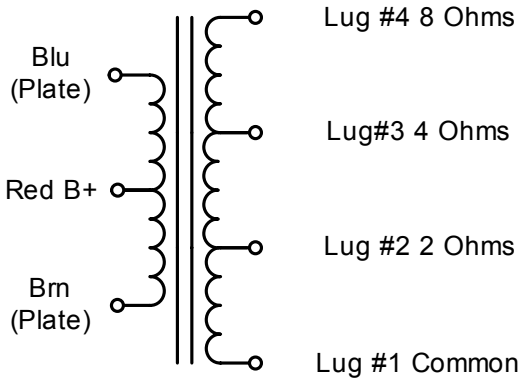


MULTIPLE IMPEDANCE - 8 WATT "CLASSIC" TUBE OUTPUT TRANSFORMERS

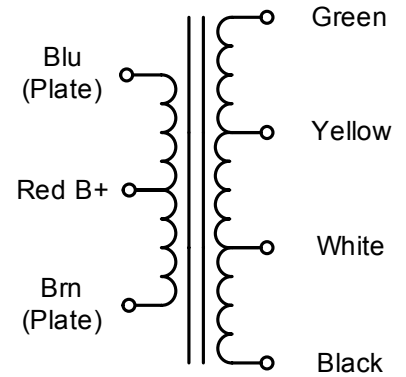
- Designed for general purpose or replacement use in push-pull tube output circuits.
- Frequency response: 150 Hz. - 15 KHz (+/- 1db max.- ref. 1 KHz).
- 125H - open style with minimum 5" long primary leads, secondary solder lugs for convenient secondary connections.
- 125J - open style with minimum 10" long primary & secondary leads.

Part No.	Audio Watts	Primary Impedance (Ohms)	Secondary Impedance (Ohms)	Primary Inductance Henrys	Dimensions (Inches)					Wt. Lbs.
					A	B	C	D	G Mtg. Hole	
125H	8	10K	2, 4 or 8	5.6	2.81	1.40	1.63	2.38	0.187	0.55
125J	8	2.5K or 4K	6/8 or 3.2/4	5.6	3.25	1.50	1.94	2.81	0.187	1

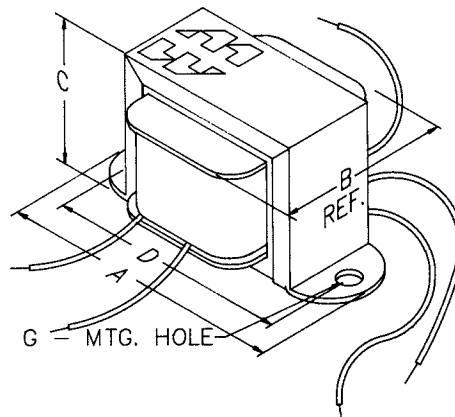
Schematic & Hook Up Data



PRI SEC
125H



PRI SEC
125J



Pri. Impedance Plate to Plate Brown to Blue (Ohms)	Sec. Impedance (Ohms)	Use Sec. Lead Connections
4,000 C.T.	6/8	WHT - GRN
4,000 C.T.	3.2/4	WHT - YEL
2,500 C.T.	6/8	BLK - GRN
2,500 C.T.	3.2/4	BLK - YEL

Tube Audio