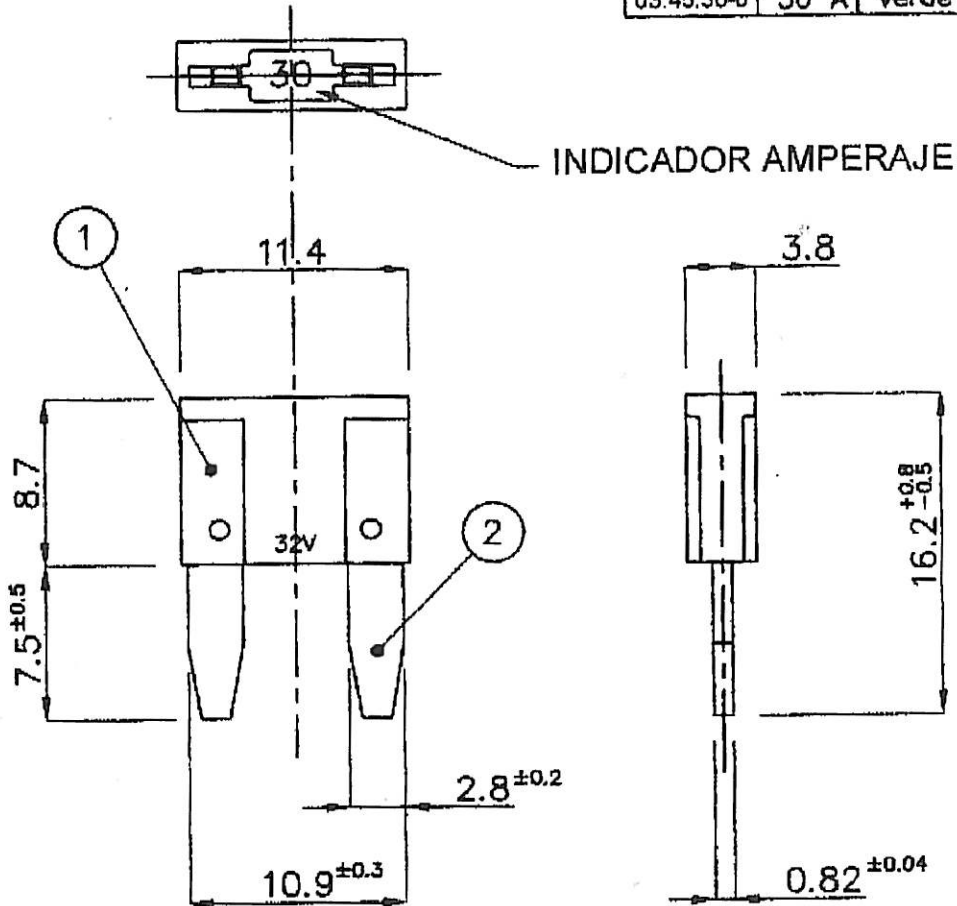


CONFORME A NORMA DIN 72581-3
COMPLY WITH DIN NORM 72581-3

Pos.	MATERIAL
1	POLICARBONATO
2	LEGA Zn EN 988

Referencia	I _n	Color	Colour
03.45.01-0	1 A	negro	black
03.45.02-0	2 A	gris	grey
03.45.03-0	3 A	violeta	violet
03.45.04-0	4 A	rosa	pink
03.45.05-0	5 A	beige	beige
03.45.075-0	7,5 A	marron	brown
03.45.10-0	10 A	rojo	red
03.45.15-0	15 A	azul	blue
03.45.20-0	20 A	amarillo	yellow
03.45.25-0	25 A	neutro	neutral
03.45.30-0	30 A	verde	green



NR.	TIPO MODIFICA/REVISION NOTE	DIS/DES	DATE	CONTR
MATERIALE MATERIAL	vedi tabella / see table	DEL/DES CPJ	SCALA/SCALE 3:1	PESO/WEIGHT 0.7
	TOLLERANZE GENERALI NON SPECIFICATE LINEARI E ANGOL. RIFERIMENTO UNI EN 22768-1	WHERE NOT SPECIFIED LINEAR AND ANGULAR TOLERANCE REFERENCE TO UNI EN 22768-1	DATA/DATE 15/06/05	FORMATO/SIZE A4
			ENTR/DECK RC	FOGLIO/HEET 1/1
				REV/EDITION 0
DENOMINAZIONE/TITLE NAME MINIFUSIBILE MINI FUSE			ARTICLE NR. vedi tabella/see table	
			CAD DWG NR. D10.011	