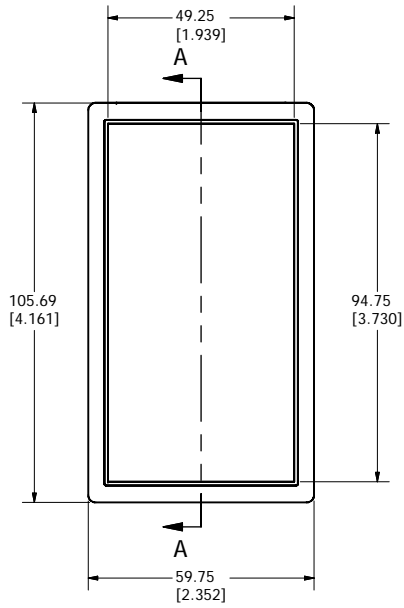
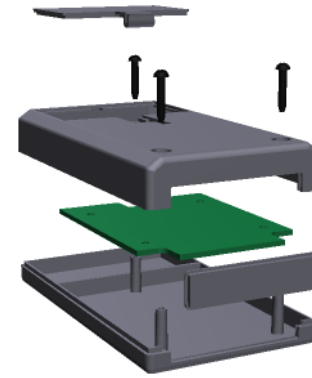
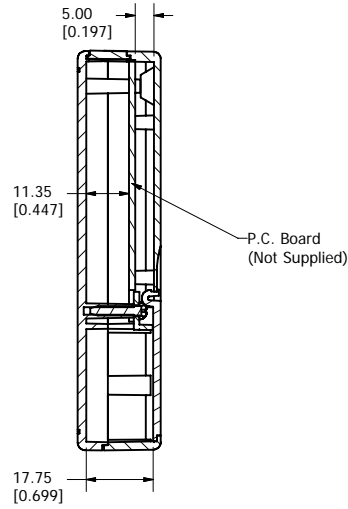


Top View of Assembly

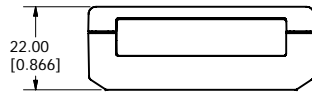


SECTION A-A (Side Inside Assembly)

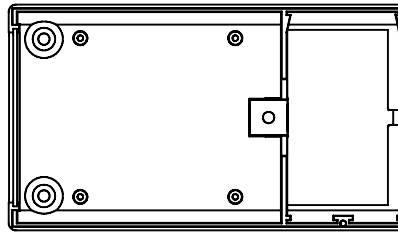


(Interactive Model)

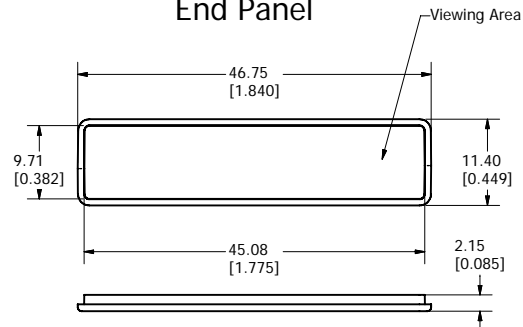
End View of Assembly



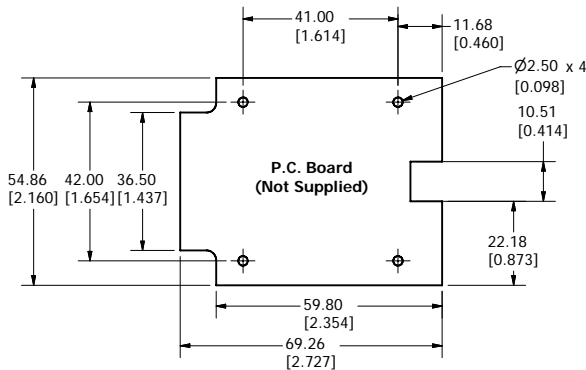
Inside Bottom Cover



End Panel



Maximum P.C. Board Size



NOTE		
Fits 2 "AA" or 1 9V Battery(s)		
Clip for 9V Battery Supplied		
PART NUMBERS		
Clipper Enclosure		
Black Enclosure		001104
Grey Enclosure		001115
INCLUDES		
#	Description	Material
1	Enclosure	FR ABS
1	End Panel	FR ABS
3	Cover Screws #2x1/2 Pan Head	
ACCESSORIES		
Black Pocket Clip		001151
Grey Pocket Clip		001152
Infra Red Panel		001150

**HAMMOND
MANUFACTURING™**
Medium Clipper Enclosure 1
www.hammondmfg.com