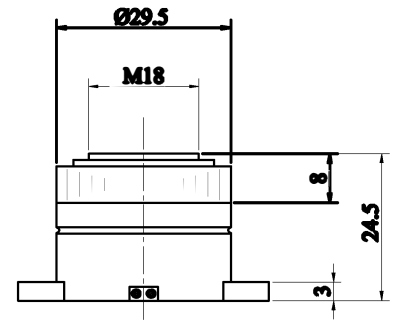


1 2 3 4 5 6 7 8

A

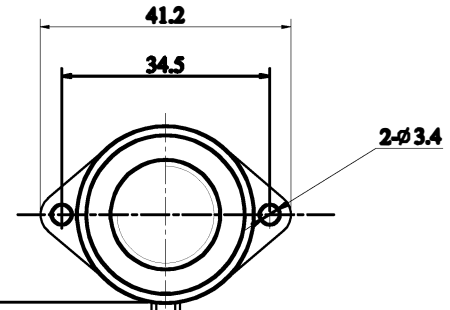


B

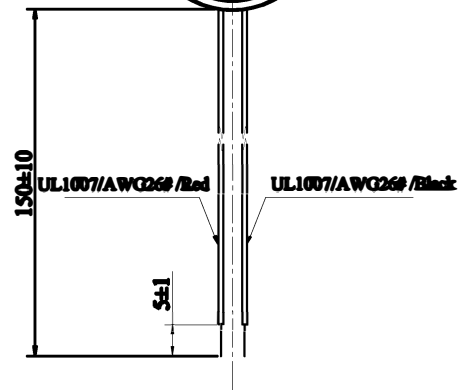
SPECIFICATION

- 1. Rated Voltage 12 VDC
- 2. Operating Voltage 3~24 VDC
- 3. Max. Rated Current 15mA/12VDC
- 4. Resonant Frequency 3.7±0.5KHz
- 5. Min. Sound Pressure Level..... 90dB/12VDC/30cm
- 6. Tone Nature..... Continuous
- 7. Shell Material/Color ABS/Black
- 8. Operating Temperature -20 ~ +60℃
- 9. Store Temperature -30 ~ +70℃
- 10. Weight 15g
- Red(红)..... Positive(+)
- Black(黑)..... Negative(-)

C



D



E

F

				LTD	
				EFC2925L	
No.	DESCRIPTION	APPROVED	DATE		
		APPROVALS	DATE		
DRAWN				UNIT	DWG NO.
CHECKED				mm	e2.009.014
APPROVED		04.03.23		SCALE	NOT TO SCALE
				VER	1.0

1 2 3 4 5 6 7 8