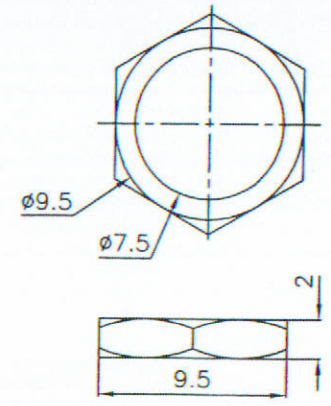
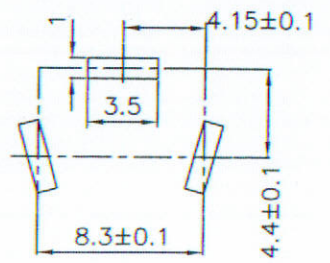
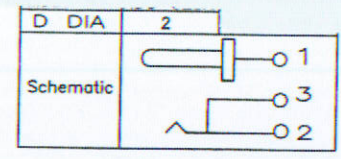
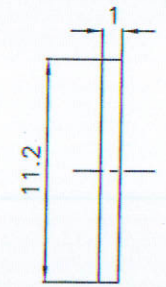
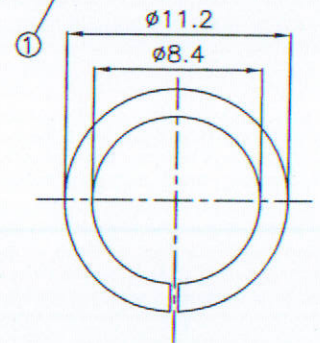
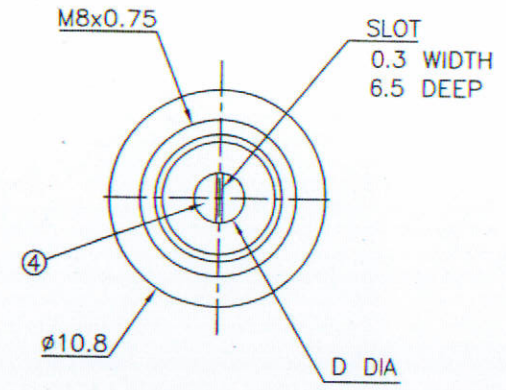
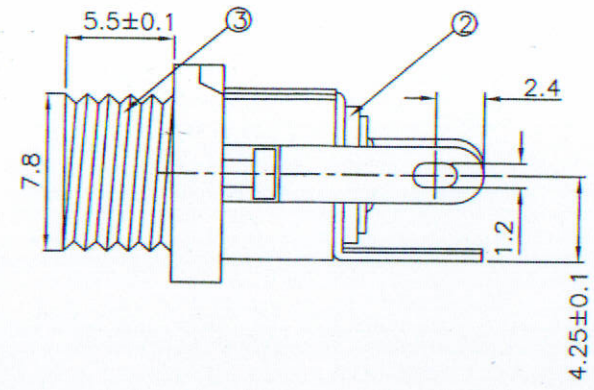
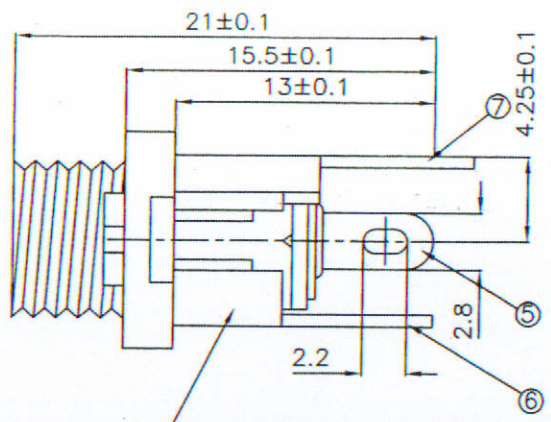


REVISIONS				
LTR	DESCRIPTION	DATE	REVISED	APPROVED



7	MIDDLE	1	BRASS STRIP T=0.4		
6	SSHUNT	1	BRASS STRIP T=0.4		
5	TERMINAL	1	BRASS STRIP T=0.4		
4	PIN	1	BRASS STRIP		
3	COVER	1	C2680R		
2	CUSHION	1	NYLON		
1	BODY	1	NYLON		
LTR	PART NAME	QTY	MATERIAL (THICK, COLOR)	REMARK	
DWN		DATE	SCALE	NAME DC POWER JACKS	
DSND		DATE	3RD ANGLE PROJECTION	CAT.NO.	
CHKD	<i>[Signature]</i>	DATE 08.11.2		UNIT: mm	
APVD		DATE		DWN.NO.	

UNLESS OTHERWISE SPECIFIED, TOLERANCE ON DECIMAL: ±0.3 FRACTIONS: ANGLES: