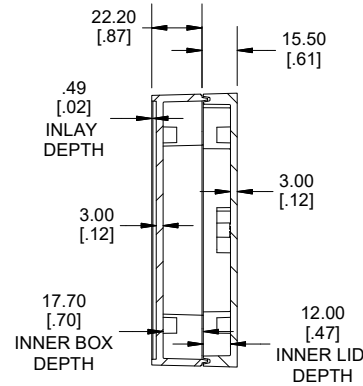
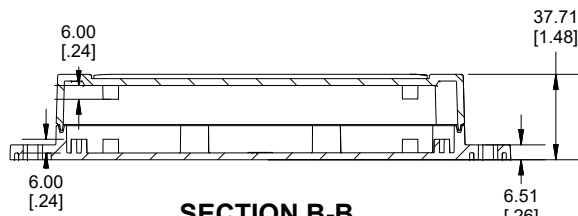
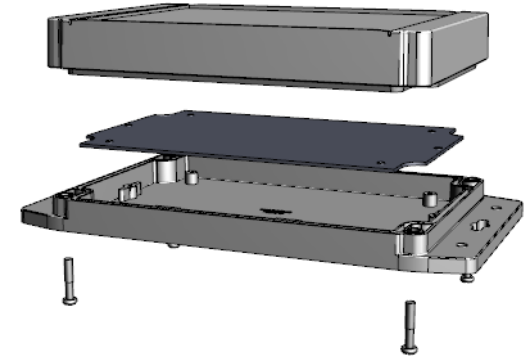


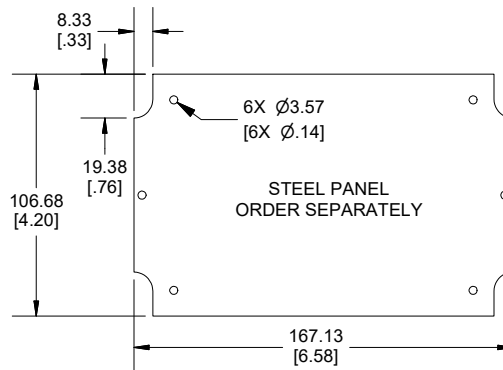
**ENCLOSURE ASSEMBLY TOP VIEW**



**SECTION A-A  
END VIEW**



**SECTION B-B  
SIDE VIEW**



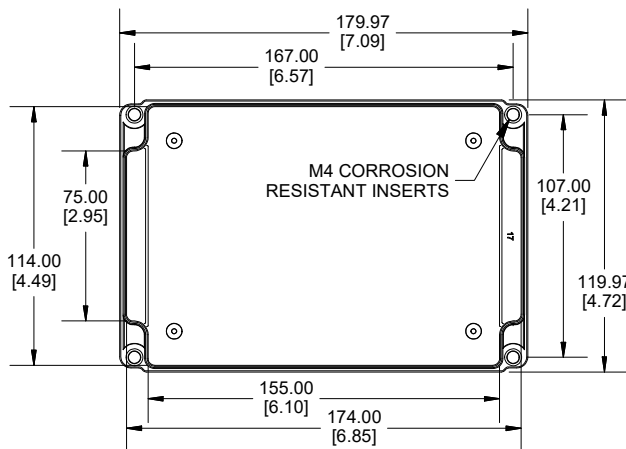
POLYCARBONATE  
VERSION ONLY  
UL LISTED  
FILE #E65324  
TYPE 4,4X,6,6P

Enclosures can be Factory Modified (Milling, Drilling, Printing etc.)  
Contact Factory ([modshop@hammfg.com](mailto:modshop@hammfg.com)) for quotes  
Solid models of this enclosure available in .stp or .x\_t  
(Part number and text placement/orientation on our products are subject to change,  
we do not recommend using them as a locating reference for modification purposes)

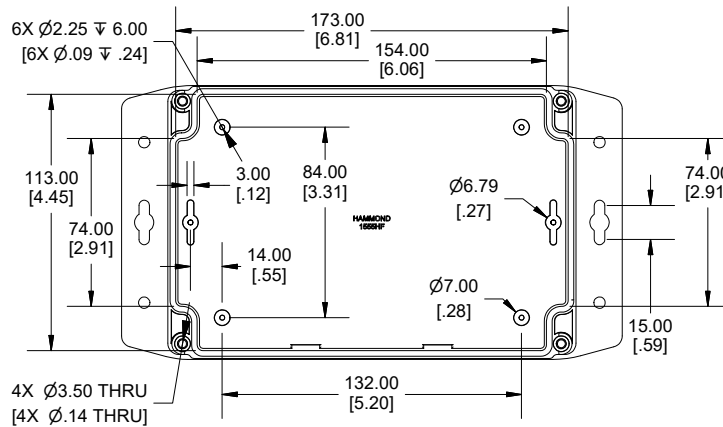
**NOTE**

Purchased assembly includes styled box, flanged lid, 4 cover screws, and preformed silicone gasket.  
General Purpose ABS version is not UL approved. (Matl UL94 - HB)  
Polycarbonate version is UL 508 approved. (Matl UL94 - 5VA @ 3mm)

**Recommended Cover screw torque -- 2.5 lbf-in (30 cN-m)**



**INSIDE BOX VIEW**



**INSIDE LID VIEW**

| 1555HF  |             |
|---|-------------|
| 1555HF Regular Enclosure  |             |
| General Purpose ABS RAL-7035  | 1555HF17GY  |
| Polycarbonate RAL-7035  | 1555H2F17GY |
| ACCESSORIES   |             |
| Steel Inner Panels  | 1555HFPL    |
| Silicone Pre-formed Gasket Black  | 1554HGASKET |
| Steel Panel / P.C. Board Self Tapping Screw<br>[#4 X 1/4" (6.4mm) Plated] | 1555TS100   |
| Stainless Steel Cover Screws<br>[M4-0.7 X 20mm] (Pkg 50)                  | SC576-50    |

Dimensions:  
mm  
[inches]

**HAMMOND  
MANUFACTURING**  
**1555HF17**  
[www.hammondmfg.com](http://www.hammondmfg.com)