

CX-01 Common Mode Chokes - Potted

Features

- Potted current compensated double choke
- Rated voltage: 250 Vac (50/60 Hz)
- Five different sizes and two mounting versions
- Plastic case and potting resin UL94V-0 approved
- Design complies with EN 60938-2 and UL 1283
- Operating temperature: -40°C to 125°C



Ordering Code		Current rating	Inductance	DC Resistance	Impedance at SRF
<i>Vertical</i>	<i>Horizontal</i>	<i>(A)</i>	<i>(mH) +50% -30%</i>	<i>(mΩ) typ</i>	<i>(kΩ @ kHz) typ</i>
CX-01-10-471	CX-01-00-471	0,3	47	1800	300@200
CX-01-10-391	CX-01-00-391	0,4	39	1300	290@200
CX-01-10-271	CX-01-00-271	0,6	27	700	150@270
CX-01-10-181	CX-01-00-181	0,6	18	500	130@270
CX-01-10-151	CX-01-00-151	1,0	15	300	70@330
CX-01-10-101	CX-01-00-101	1,1	10	250	45@400
CX-01-10-6R8	CX-01-00-6R8	1,1	6,8	200	35@500
CX-01-10-5R6	CX-01-00-5R6	1,2	5,6	175	30@600
CX-01-10-3R3	CX-01-00-3R3	1,5	3,3	100	15@1000
CX-01-10-1R0	CX-01-00-1R0	2,0	1	80	10@2000
CX-01-10-R60	CX-01-00-R60	2,5	0,6	60	3.0@3000
CX-01-10-R40	CX-01-00-R40	2,6	0,4	55	2.5@4000
CX-01-11-681	CX-01-01-681	0,3	68	2500	450@150
CX-01-11-561	CX-01-01-561	0,5	56	2000	450@190
CX-01-11-471	CX-01-01-471	0,5	47	1500	400@190
CX-01-11-391	CX-01-01-391	0,5	39	1120	400@190
CX-01-11-271	CX-01-01-271	0,8	27	600	200@210
CX-01-11-151	CX-01-01-151	1	15	540	70@350
CX-01-11-5R6	CX-01-01-5R6	1,2	5,6	240	50@600
CX-01-11-101	CX-01-01-101	1,5	10	240	40@450
CX-01-11-6R8	CX-01-01-6R8	1,3	6,8	230	60@650
CX-01-11-4R0	CX-01-01-4R0	1,7	4	175	40@750
CX-01-11-4R2	CX-01-01-4R2	2,0	4,2	130	20@700
CX-01-11-2R2	CX-01-01-2R2	2,0	2,2	130	17@1500
CX-01-11-3R3	CX-01-01-3R3	2,5	3,3	70	20@1000
CX-01-11-1R7	CX-01-01-1R7	2,5	1,7	80	15@1600
CX-01-11-1R2	CX-01-01-1R2	3,0	1,2	56	9.0@2000

CX-01 Common Mode Chokes - Potted

Ordering Code		Current rating	Inductance	DC Resistance	Impedance at SRF
<i>Vertical</i>	<i>Horizontal</i>	<i>(A)</i>	<i>(mH) +50% -30%</i>	<i>(mΩ) typ</i>	<i>(kΩ @ kHz) typ</i>
CX-01-12-561	CX-01-02-561	0,5	56	2100	600@160
CX-01-12-471	CX-01-02-471	0,6	47	1650	320@250
CX-01-12-391	CX-01-02-391	1	39	750	450@180
CX-01-12-271	CX-01-02-271	1,4	27	440	200@210
CX-01-12-151	CX-01-02-151	1,2	15	300	80@350
CX-01-12-5R6	CX-01-02-5R6	2,0	5,6	160	40@650
CX-01-12-3R3	CX-01-02-3R3	2,8	3,3	60	30@800
CX-01-12-2R7	CX-01-02-2R7	4,0	2,7	60	20@1000
CX-01-12-1R0	CX-01-02-1R0	6,0	1	22	5.0@1500
CX-01-12-0R5	CX-01-02-0R5	8,0	0,45	11	4.0@2000
<hr/>					
CX-01-13-821	CX-01-03-821	0,5	82	2300	600@130
CX-01-13-471	CX-01-03-471	0,8	47	1350	600@180
CX-01-13-391	CX-01-03-391	1	39	750	350@200
CX-01-13-371	CX-01-03-371	1,4	37	420	300@200
CX-01-13-271	CX-01-03-271	1,4	27	460	200@220
CX-01-13-221	CX-01-03-221	1,4	22	450	150@280
CX-01-13-151	CX-01-03-151	1,4	15	300	120@400
CX-01-13-101	CX-01-03-101	1,6	10	350	90@450
CX-01-13-6R8	CX-01-03-6R8	2,0	6,8	170	60@500
CX-01-13-5R6	CX-01-03-5R6	2,5	5,6	125	40@650
CX-01-13-4R7	CX-01-03-4R7	4,0	4,7	65	30@600
CX-01-13-3R3	CX-01-03-3R3	4,0	3,3	65	25@700
CX-01-13-2R5	CX-01-03-2R5	5,0	2,5	38	17@850
CX-01-13-1R8	CX-01-03-1R8	6,0	1,8	31	9.0@1000
CX-01-13-1R0	CX-01-03-1R0	6,0	1	23	5.5@1200
<hr/>					
CX-01-15-681	CX-01-05-681	1	68	1300	500@120
CX-01-15-181	CX-01-05-181	2	18	330	85@280
CX-01-15-6R8	CX-01-05-6R8	4	6,8	80	30@500
CX-01-15-3R9	CX-01-05-3R9	6,0	3,9	40	12@600
CX-01-15-7R5	CX-01-05-7R5	6,0	7,5	40	17@300
CX-01-15-2R7	CX-01-05-2R7	8,0	2,7	22	10@700
CX-01-15-2R5	CX-01-05-2R5	10,0	2,5	15	7.0@800
CX-01-15-1R8	CX-01-05-1R8	10,0	1,8	14	7.0@850

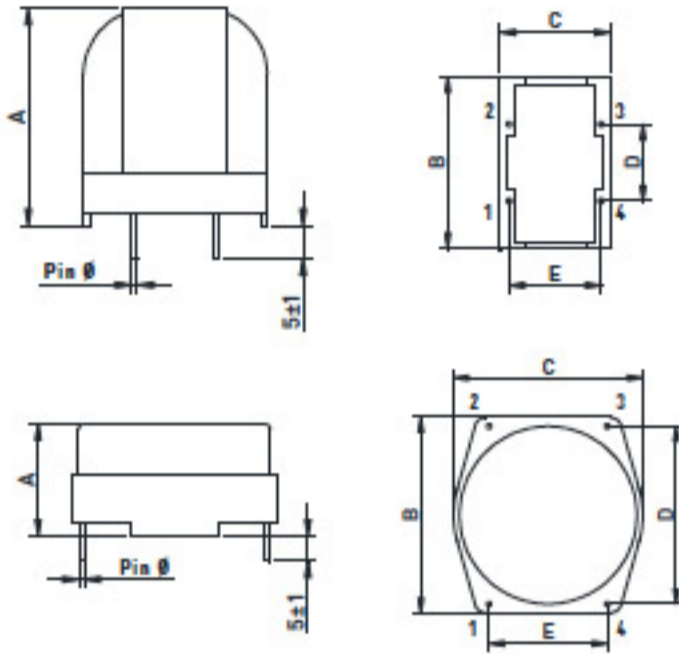
Notes

- 1- Electrical specifications at 25°C
- 2- Current rating based on 45°C temperature rise.
- 3- Operating temperature includes component self-heating
- 4- Creepage distance 3mm minimum (line/line)
- 5- Test voltage 1500 Vac, 2s (line/line)
- 6- Inductance measured at 10kHz/10mVac
- 7- Impedance measured with line windings in parallel

CX-01 Common Mode Chokes - Potted

Dimensions

All dimensions in mm



VERTICAL MOUNTING						
Part Number	A (max)	B (max)	C (max)	D (±0.2)	E (±0.2)	Pin (±0.1)
CX-01-10	20.3	18.3	13.3	5.0	10.0	0.8
CX-01-11	26.3	23.6	16.2	10.0	12.5	0.8
CX-01-12	31.0	28.0	18.2	12.5	15.0	0.8
CX-01-13	33.3	32.6	18.6	12.5	15.0	0.7
CX-01-15	40	40.4	21.5	12.5	17.5	1.0

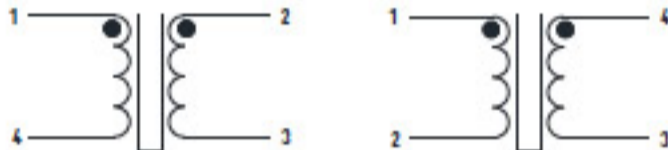
HORIZONTAL MOUNTING						
Part Number	A (max)	B (max)	C (max)	D (±0.2)	E (±0.2)	Pin (±0.1)
CX-01-00	12.7	18.3	18.3	15	10	0.8
CX-01-01	15.2	24.0	22.5	20.0	12.5	0.8
CX-01-02	17.8	28.5	28.5	25.0	15.0	0.8
CX-01-03	17.8	33.5	32.5	30.0	20.0	0.8
CX-01-05	25.0	44.0	42.0	40.0	15.0	1.0

Schematic

Marking

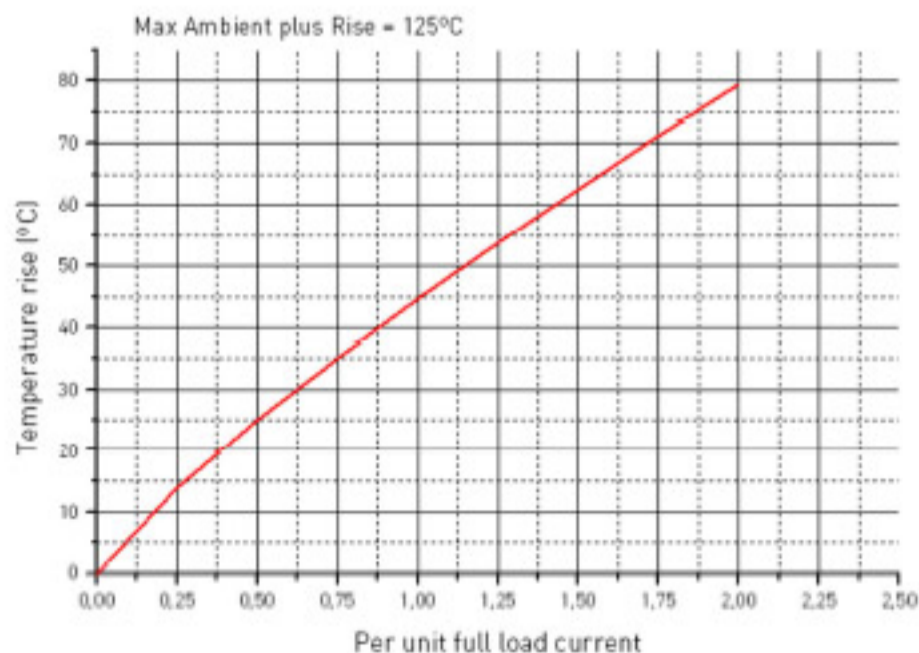
VERTICAL MOUNTING

HORIZONTAL MOUNTING



Part Number
PRAX / Date Code
Current / Voltage / Inductance

Temperature rise versus Rated Current



Typical values