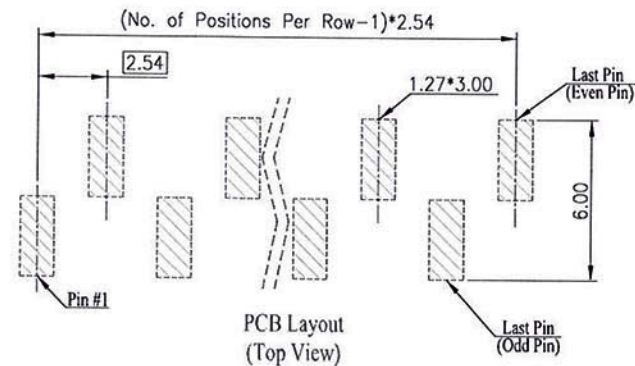
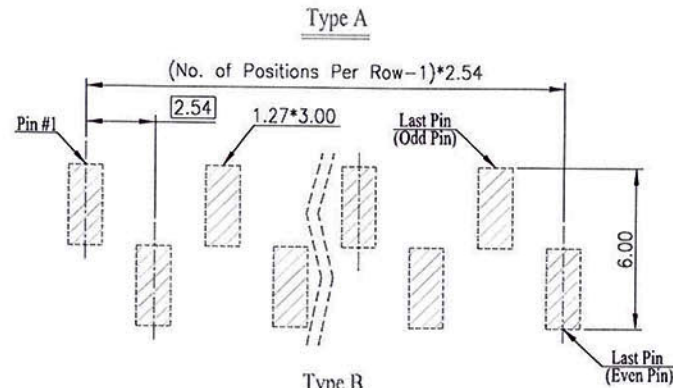
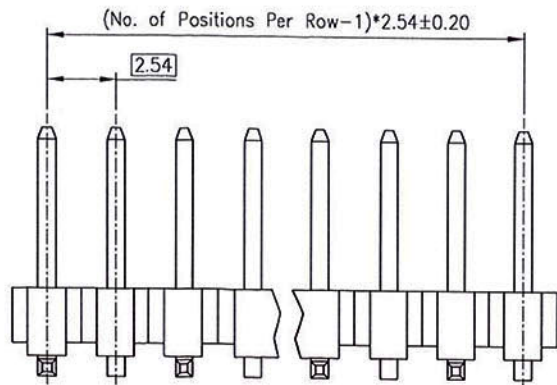
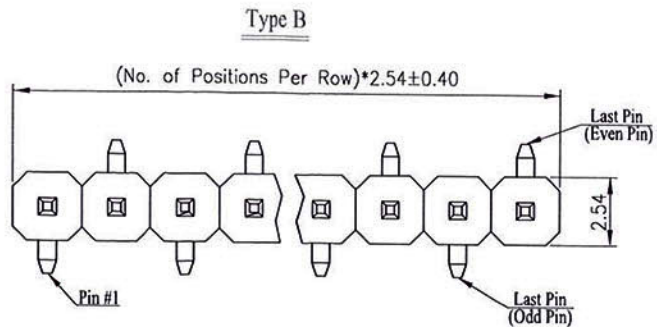
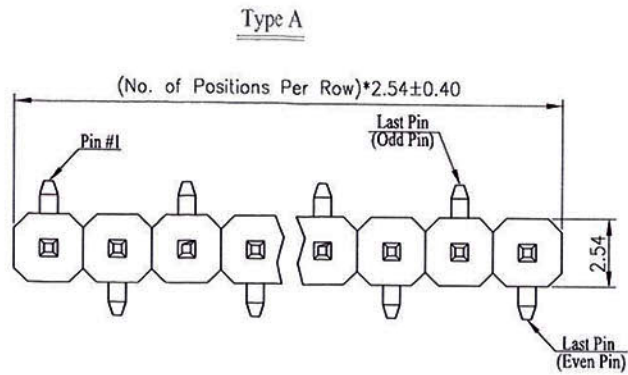


Rev.	Date	Description
A	2005/05/13	New Drawing
B	2006/09/20	Modify Drawing
C	2007/11/12	Add Housing Options



Order Information

2306011 ** - * ** 1 **

Housing Options
Blank: Nylon 6T
T9: Nylon 9T

PCB Layout Options
Blank: for Odd Pins
A: Type A (for Even Pins)
B: Type B (for Even Pins)

Terminal Plating Options
00: Gold Flash
30: 10u" Gold
40: 15u" Gold

No. of Positions Per Row

Material and Finish

- Housing: Hi-Temp. Plastic (UL94V-0), Black.
- Terminal: Sq. 0.64mm Copper Alloy, Gold Plating.

Electrical Characteristics

- Current Rating: 3.0 Amp. Max.
- Dielectric Withstand Voltage:
1000V AC RMS for 60Seconds.
- Insulation Resistance:
1000M Ohms Min. at 1000V DC.

Mechanical Characteristics

- Operating Temperature: -55°C ~ +105°C

Tolerance	Scale	Unit
0.0 ±0.30	1:1	mm
0.00 ±0.20		
0.000 ±0.10		

Drawing No. HD2306011-1

Title
2.54mm Post Header
PCB Surface Mount Type
Single Row, without Post