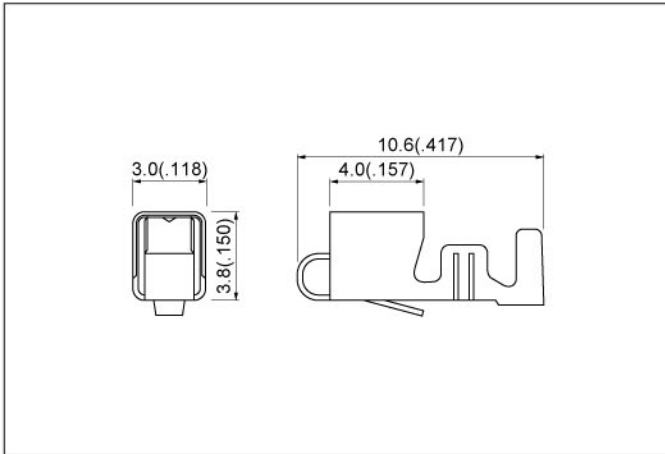


# VH CONNECTOR

## Contact



Model No.	Applicable wire			Q'ty / reel
	mm <sup>2</sup>	AWG #	Insulation O.D. mm(in.)	
SVH-21T-P1.1	0.33 to 0.83	22 to 18	1.7 to 3.0 (.067 to .118)	4,500
SVH-41T-P1.1	0.5 to 1.25	20 to 16	1.7 to 3.0 (.067 to .118)	3,500

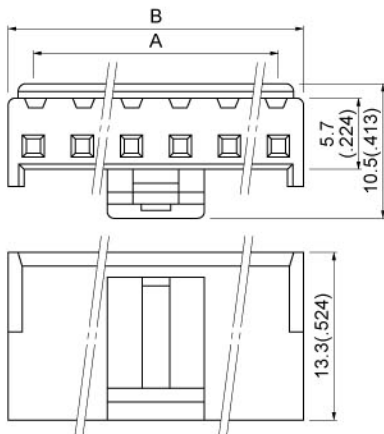
### Material and Finish

Phosphor bronze, tin-plated

Note: When using retainer mountable type housing, applicable wire's insulation O. D. shall be 1.7 to 2.2mm(.067" to .087").

## Housing

### N type



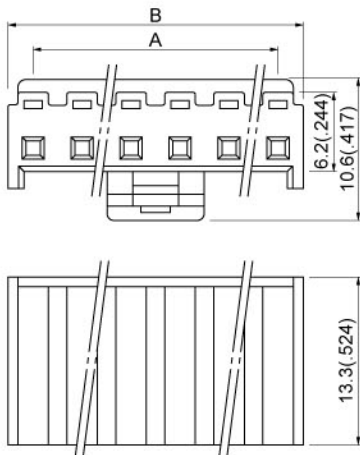
Cir- cuits	Model No.			Dimensions mm(in.)		Q'ty / bag
	N type	M type	Retainer mountable type	A	B	
2	VHR-2N	—	VHRR-2N	3.96( .156)	7.86( .309)	1,000
3	VHR-3N	VHR-3M	VHRR-3N	7.92( .312)	11.82( .465)	1,000
4	VHR-4N	VHR-4M	—	11.88( .468)	15.78( .621)	1,000
5	VHR-5N	VHR-5M	VHRR-5N	15.84( .624)	19.74( .777)	1,000
6	VHR-6N	VHR-6M	—	19.80( .780)	23.70( .933)	500
7	VHR-7N	VHR-7M	—	23.76( .935)	27.66(1.089)	500
8	VHR- 8N	—	VHRR-8N	27.72(1.091)	31.62(1.245)	500
9	VHR- 9N	VHR-9M	VHRR-9N	31.68(1.247)	35.58(1.401)	500
10	VHR-10N	—	—	35.64(1.403)	39.54(1.557)	500

### Material

Nylon 6, UL94V-0, natural (white)

Note: 1. Models identified as VHR-( ) M incorporate measures to prevent electric shock and are thus safer in regard to high voltages.  
2. Models VHRR-( ) N are not TÜV approved.

### M type



### Retainer mountable type

