

HPE-106 Series

Strobe Siren with multi-function(Red/Blue/Green/Amber Color)

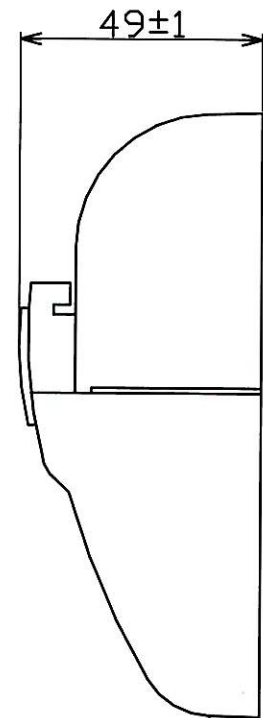
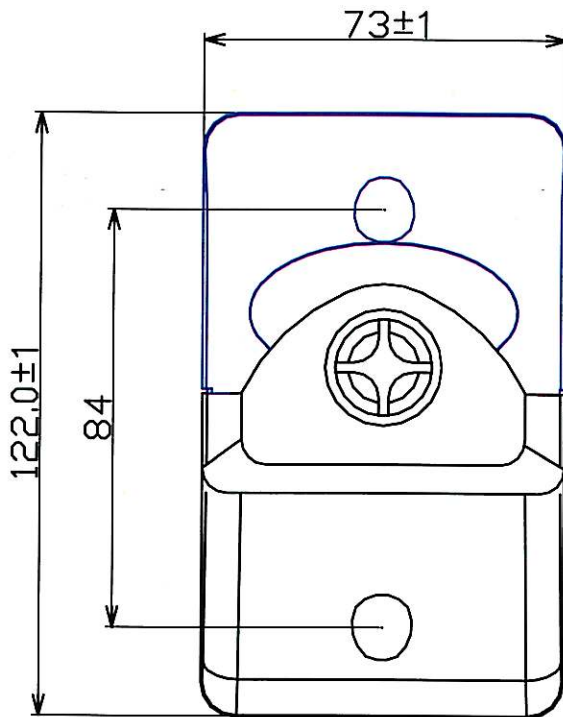
多功能閃光警報器(紅/藍/綠/琥珀色)

Instruction: Well-designed modern casing, convenient for indicating emergency at entrance for any security systems.

產品概述: 壁掛式設計, 使用於家防系統門側作為指示與警告



HPE-106(A)	Strobe & Siren	閃光&警報音
HPE-106(B)	Strobe Only	閃光功能
	Siren Only	警報音功能
HPE-106(C)	Strobe & Siren	閃光&警報音
	Strobe Only	閃光功能
HPE-106(D)	Strobe & Siren	閃光&警報音
	Strobe Only	閃光功能
	LED Display	常亮功能



Dimensions(mm)

Model No.	HPE-106(A)	HPE-106(B)	HPE-106(C)	HPE-106(D)
Rate Voltage (VDC)	12	12	12	12
Operating Voltage (VDC)	8~16	8~16	8~16	8~16
Max. Rated Current (mA)	250	250	250	250
Min. Sound Pressure Level (dB)	100dB at 100cm	100dB at 100cm	100dB at 100cm	100dB at 100cm
Resonant Frequency (KHZ)	4.0 ± 0.5	4.0 ± 0.5	4.0 ± 0.5	4.0 ± 0.5
Operating Temperature (°C)	-20°C ~+70°C	-20°C ~+70°C	-20°C ~+70°C	-20°C ~+70°C
Weight (g)	60	60	60	60