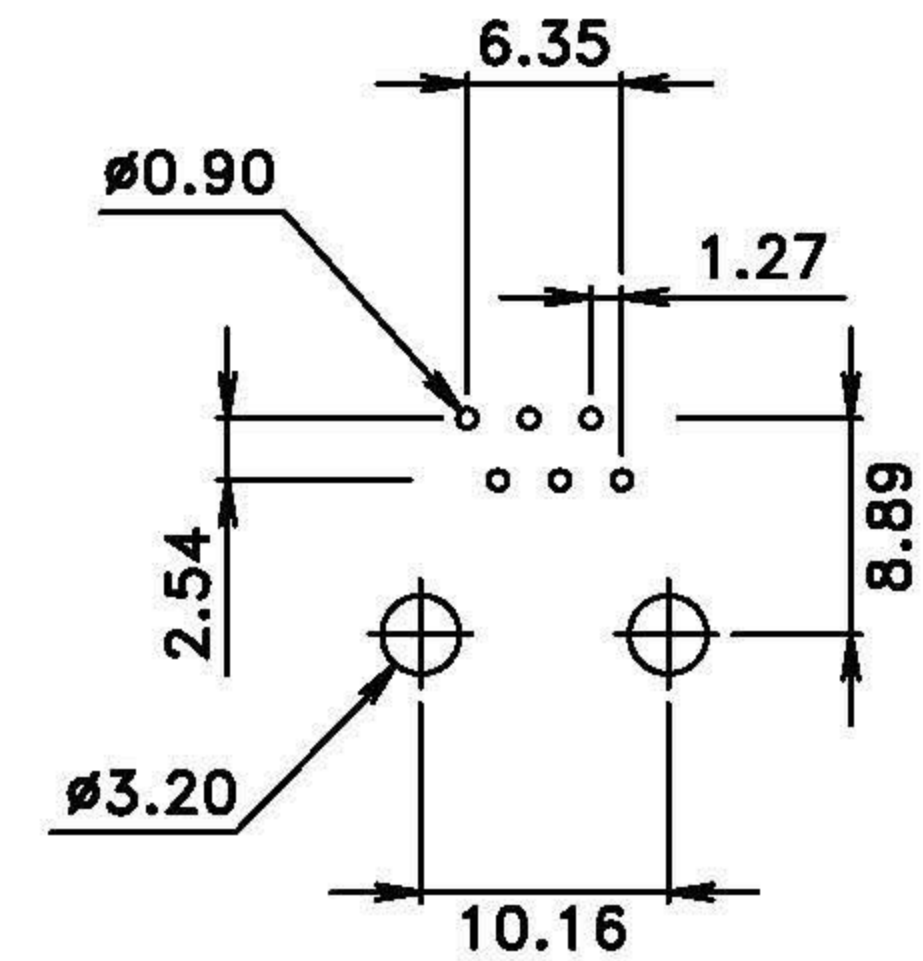
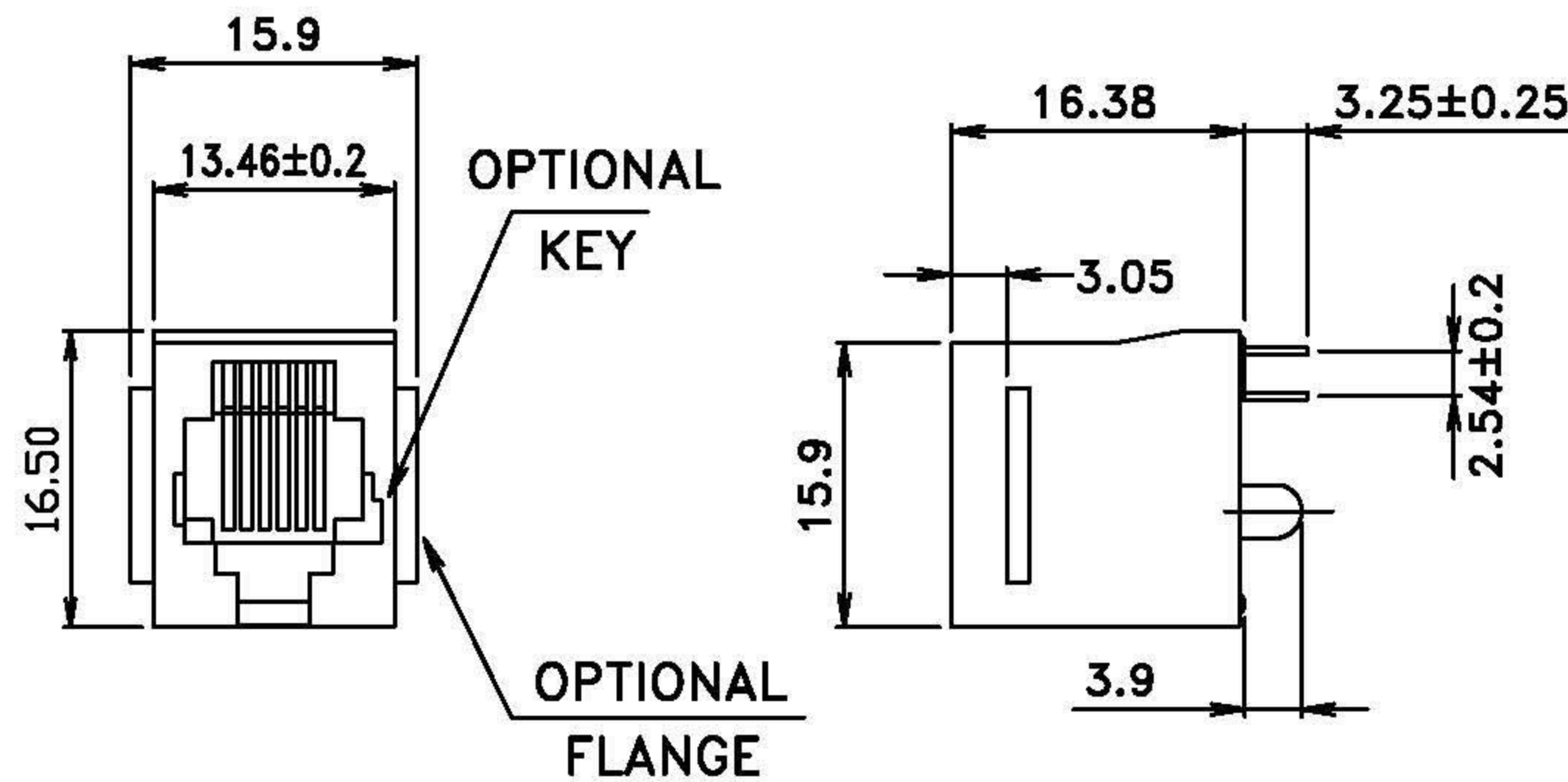


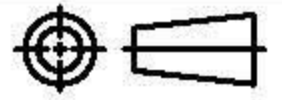
MATERIALS:

- HOUSING-PBT POLYESTER UL94V-0
MIXED GLASS FIBER.
STANDARD COLOR-BLACK
- CONTACTS-0.45mm DIA. ROUND PHOS-BRONZE
PLATED WITH HARD GOLD.

CAVITY CONFIRMS TO FCC RULES AND REGULATIONS
PART 68,SUBPART F.



PC Board Layout

DO NOT SCALE DRAWING	TOLERANCES UNLESS OTHERWISE NOTED	INCH	MM	DR. 7i7d73	DATE May-28 '98		
 THIRD ANGLE PROJECTION	LINEAR $\frac{\text{MM}}{\text{INCH}}$	00 ± .01 000 ± .005 0000 ± .002	0.0 ± 0.25 0.00 ± 0.13 0.000 ± 0.05	CK'D M.CHANG	May-28 '98	TITLE 6POSITION 180° (L PEGS) TOP ENTRY PCB JACK	
MM INCH	ANGLE ± 0° 30'	RADII	+ 0.40 - 0.15	APP'D		SCALE SIZE DWG.NO. TF2064	SHEET 1/4