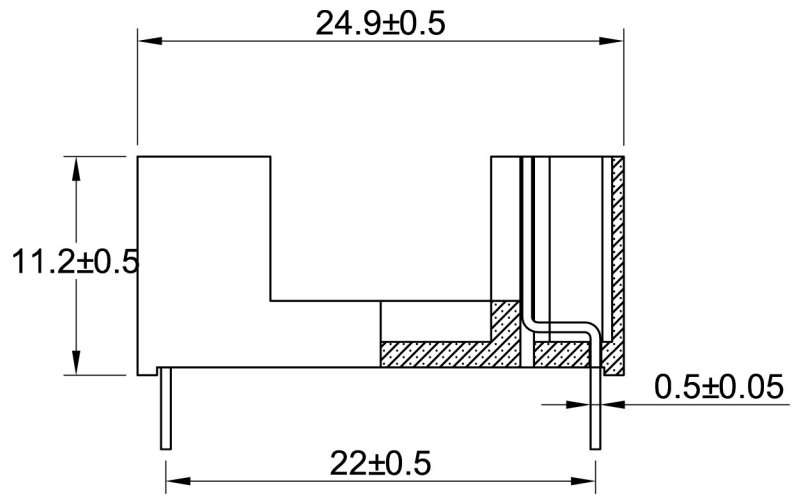
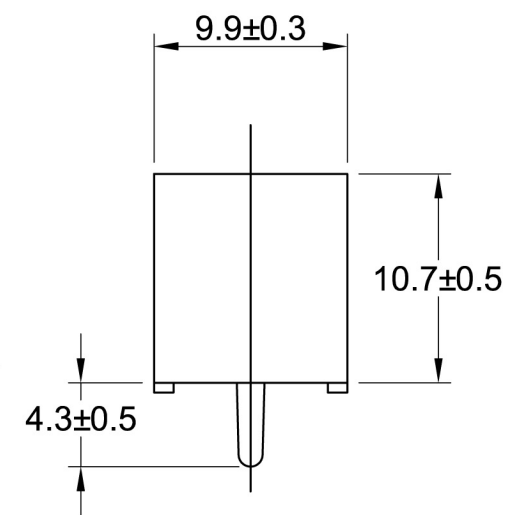


AA' Section



BB' Section



**Characteristics:**

- Insertion & Extraction Force Min. 1Kg
- Dielectric Strength Min.AC500V For 60 seconds
- Electrical Rating: 6.3A 250V
- Insulation Resistance At 500V dc Min. 100M Ohms
- Temperature Rise max. 50° C
- Max. Voltage Drop: 20mV