

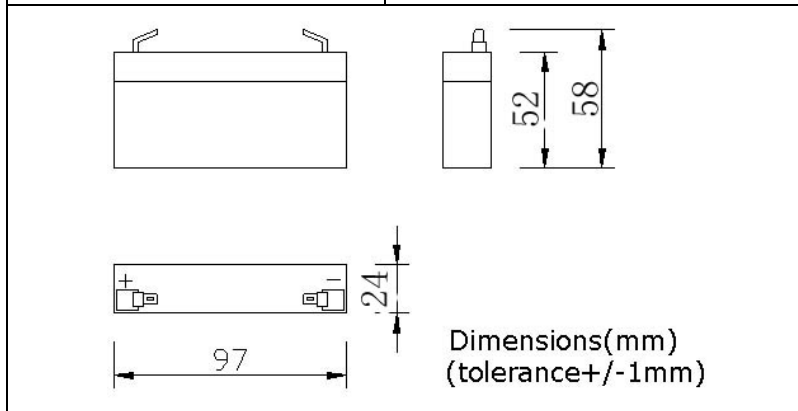
# EnergiVm

CE, RoHS MH 28269

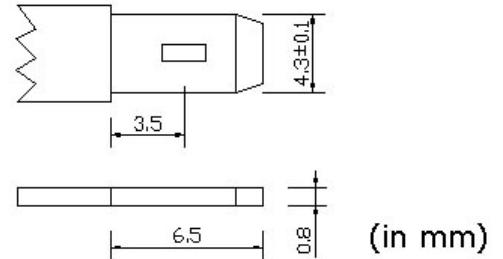
MV612(6V1.2Ah)

## PHYSICAL SPECIFICATION

Nominal Voltage Nominal Capacity (20HR)		6V 1.2Ah
Dimension	Length	97±1mm (3.82 inches)
	Width	24±1mm (1.73 inches)
	Container Height	52±1mm (2.09 inches)
	Total Height	58±1mm (2.32 inches)
Weight		Approx. 0.3 Kg (0.66lbs)
Standard Terminal		Fasten Tab No.187E



F1(Fasten Tab No.187E)  
Standard Terminal



## ELECTRICAL SPECIFICATION

Characteristics		
Capacity	20 hour rate (0.06A)	1.2Ah
	10 hour rate (0.108A)	1.14Ah
	5 hour rate (0.204A)	1.02Ah
	3 hour rate (0.3A)	0.9Ah
	1hour rate (0.72A)	0.72Ah
Capacity affected by temperature	40°C (104 °F)	102%
	25°C (77 °F)	100%
	0°C (32 °F)	85%
Internal Resistance		Full charged battery (25°C, 77 °F) 45mΩ
Constant Voltage Charge	Cycle	Initial Charging Current less than 0.36A Voltage 7.20~7.50V at 25°C (77 °F) Temperature Coefficient -15mV/°C
	Standby	No limit on Initial Charging Current Voltage 6.75~6.90V at 25°C (77 °F) Temperature Coefficient -10mV/°C

### Discharge curves @ 25°C (77 ° F)

