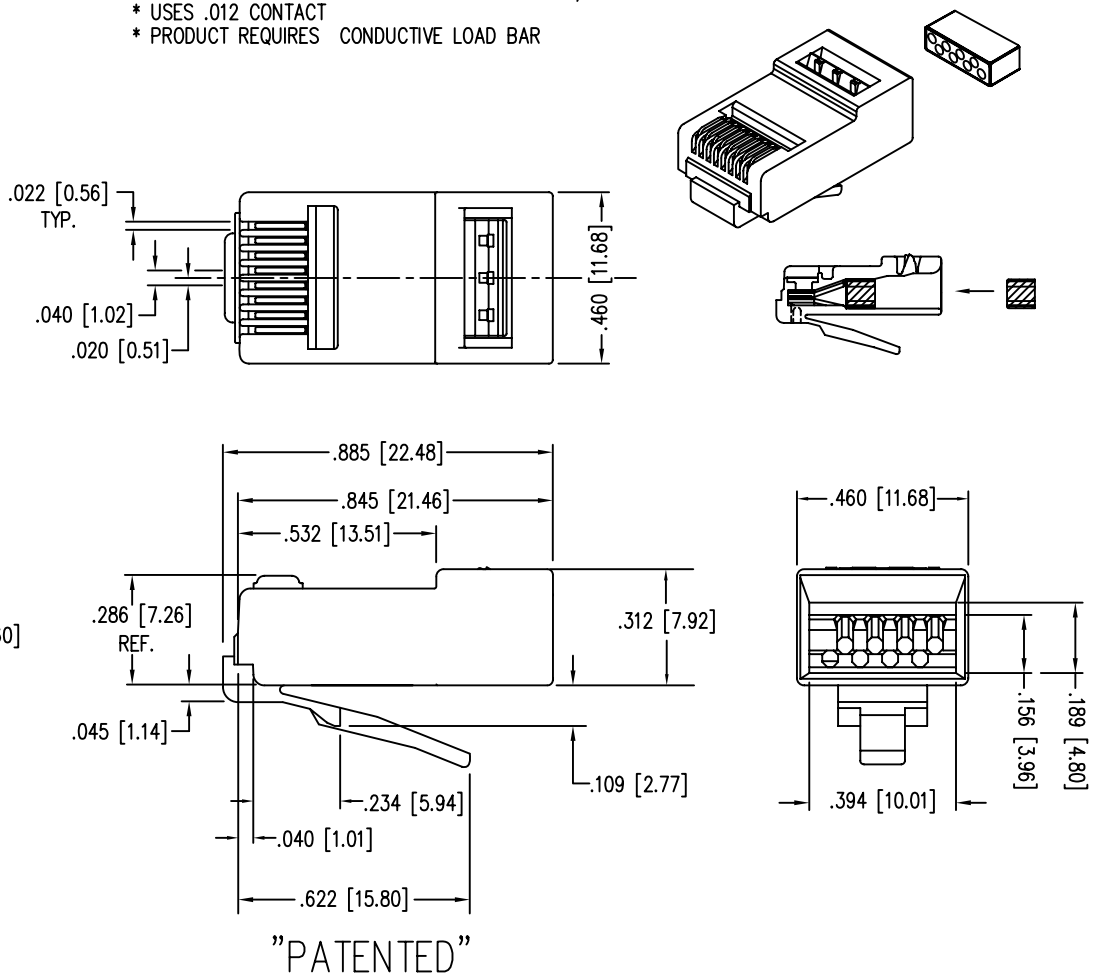


Sentinel® Connector Systems Inc.

PART NO.: 111-08080028L34

- * EIGHT CONDUCTOR MODULAR PLUG
- * FOR HIGH SPEED APPLICATION
- * FOR CONDUCTORS WITH AN O.D. RANGE OF .037/.042
- * USES .012 CONTACT
- * PRODUCT REQUIRES CONDUCTIVE LOAD BAR



SPECIFICATIONS :

PERFORMANCE: MEETS OR EXCEEDS CATEGORY 6 ANSI/EIA 568-C.2
PERFORMANCE TUNED TO CABLES MEETING CATEGORY 6 SPECIFICATIONS.

CONTACT MATERIAL: PHOSPHOR BRONZE - .012 THK
CONTACT PLATING: 50 MICRO-INCH : OTHER PLATING OPTIONS AVAILABLE
SELECTIVE 24 CARAT HARD GOLD PLATE IN CONTACT AREA
OVER 100 MICRO-INCH MINIMUM NICKEL PLATE
PER CURRENT SELECTIVE GOLD PLATING REQUIREMENTS.

PLUG MATERIAL: POLYCARBONATE

PLUG TOLERANCES AND DIMENSIONS: COMPLIES WITH F.C.C REQUIREMENTS
U.L. RECOGNIZED File# E188111

FLAME AUTO EXTINGUISH 94-V0

OPERATION TEMPERATURE: -40°C TO +85°C

INSERTION/EXTRACTION LIFE: 1000 CYCLES

CONTACT RESISTANCE: 10 MILLOHMS MAX.

CURRENT/VOLTAGE: 30 VAC/42 VDC AT 1.5 AMPS

(RoHS COMPLIANT)

