

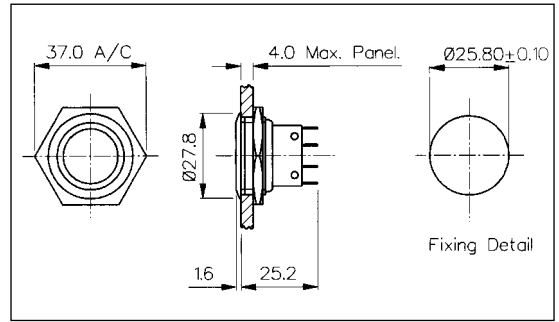
**Stainless Steel Low Profile Vandal Resistant - Momentary**

**FRONT PANEL MOUNTING**



**MP0027**

- 28mm diameter
- S.P.C.O. Microswitch
- 5A, 250V a.c.

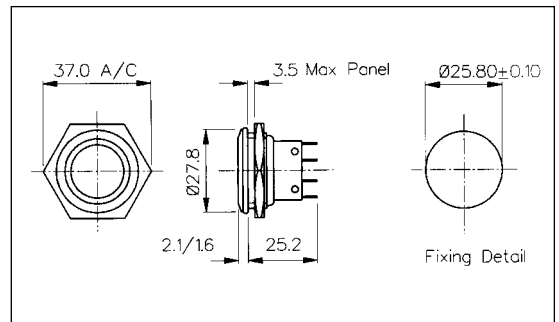


**FRONT PANEL MOUNTING**



**MP0038**  
Sealed to IP66

- Front Panel Sealed to IP66
- 28mm diameter
- S.P.C.O. Microswitch
- 5A, 250V a.c.

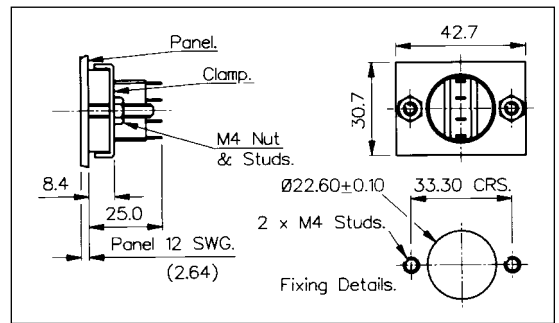


**REAR PANEL MOUNTING**



**MP0025**

- 22mm diameter
- S.P.C.O. Microswitch
- 5A, 250V a.c.



Specification	MP0027	MP0038	MP0025
<b>Terminations:</b>	Solder Tags	Solder Tags	Solder Tags
<b>Switching:</b>	S.P.C.O. Momentary Action (Microswitch)	S.P.C.O. Momentary Action (Microswitch)	S.P.C.O. Momentary Action (Microswitch)
<b>Max. Rating:</b>	5A, 250V a.c.	5A, 250V a.c.	5A, 250V a.c.
<b>Contact Resistance:</b>	<10mΩ	<10mΩ	<10mΩ
<b>Insulation Resistance:</b>	>10 <sup>3</sup> MΩ	>10 <sup>3</sup> MΩ.	>10 <sup>3</sup> MΩ
<b>Dielectric Strength:</b>	>2.0kV a.c.	>2.0kV a.c.	>2.0kV a.c.
<b>Operating Temp. Range:</b>	-20°C to +70°C	-20°C to +70°C	-20°C to +70°C
<b>Sealing (Front of panel only):</b>		Protection Classification: IP66 EN60529 1992 (Micro switch not sealed)	
<b>Operations</b>			
<b>Mechanical:</b>	1,000,000 (min)	1,000,000 (min)	1,000,000 (min)
<b>Electrical:</b>	35,000 (min)	35,000 (min)	35,000 (min)
<b>Operating Pressure:</b>	7.5N (typ)	12.5N (typ)	6.1N (typ)
<b>Rear Nut Fixing Torque:</b>	2.5Nm	1.13Nm	-
<b>Materials</b>			
<b>Mouldings:</b>	Glass Filled Nylon	Glass Filled Nylon	Glass Filled Nylon
<b>Tags/Terminations:</b>	Brass, Tin Plated	Brass, Tin Plated	Brass, Tin Plated
<b>Switch Body &amp; Button:</b>	Stainless Steel	Stainless Steel	Stainless Steel
<b>Contacts:</b>	Fine Silver	Fine Silver	Fine Silver
<b>Variants:</b>	Engraved Button, Non-Rotating Button, details on request	Engraved Button, Non-Rotating Button, details on request	Engraved Button, Non-Rotating Button, details on request
<b>RoHS</b>	Compliant	Compliant	Compliant