

KEY FEATURES

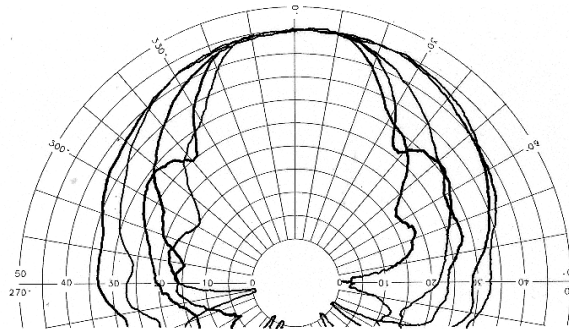
- 1.5" (37.6 mm) edgewound aluminium ribbon voice coil
- Great power handling: 25 w AES
- Aluminium diaphragm
- Precise directivity: 40° conical
- High Sensitivity: 107 dB
- Compression Tweeter designed for long-throw high frequency applications.



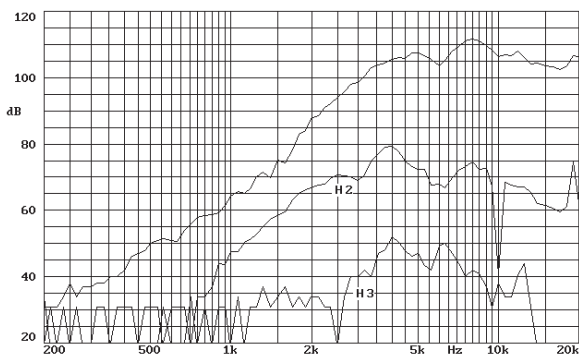
GENERAL DESCRIPTION

This compression tweeter is designed for use in multi-element loudspeaker systems in sound reinforcement applications that require high output, narrow controlled dispersion and long throw. This model produces a very high output level with flat response and excellent transient attack. This unit features an aluminium voice coil diaphragm assembly, which is field replaceable without soldering.

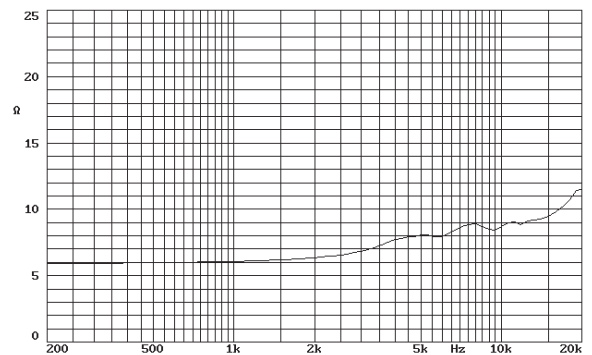
HORIZONTAL POLAR PATTERN



FREQUENCY RESPONSE AND DISTORTION CURVES



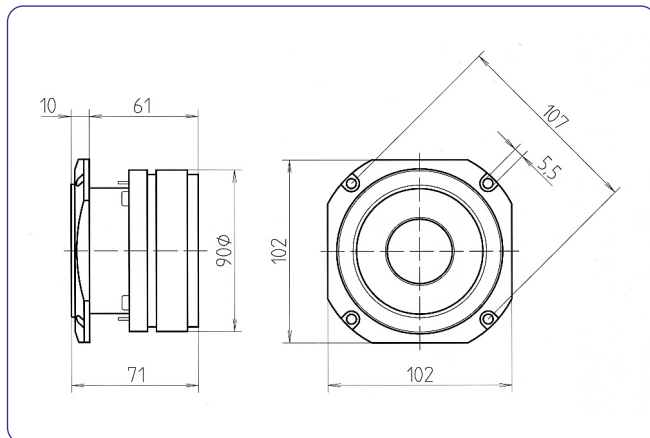
FREE AIR IMPEDANCE CURVE



TECHNICAL SPECIFICATIONS

Rated impedance		8 ohms.
Minimum impedance	8.5 ohms. @ 9 kHz	
D.C. Resistance		6.1 ohms.
Power capacity*		25 w AES
Program Power		50 w
Sensitivity**	107 dB 1w @ 1m.	
Frequency range		4 - 20 kHz
Recommended crossover		5 kHz or higher
Dispersion H x V		40° conical
Voice coil diameter	37.6 mm. 1.5 in.	
Magnetic assembly weight		1.2 kg. 2.64 lb.
Flux density		1.55 T
BL Factor		5.2 N/A

DIMENSION DRAWINGS



MOUNTING INFORMATION

Overall diameter	102 x 102 mm.	4 x 4 in.
Depth	71 mm.	2.79 in.
Baffle cutout dimensions	ø 92 mm.	3.62 in.
Bolt circle diameter	107 mm.	4.21 in.
Net weight	1.6 kg.	3.5 lb.
Shipping weight	1.67 kg.	3.67 lb.

Notes:

*The power capacity is determined according to AES2-1984 (r2003) standard. Program power is defined as the transducer's ability to handle normal music program material.

**Sensitivity was measured at 1 m distance, on axis, with 1 w input, averaged in the range 3-15 kHz

MATERIALS

- **Diaphragm:** Aluminium
- **Voice coil:** Edgewound aluminium ribbon
- **Voice coil former:** Kapton
- **Magnet:** Ferrite



acústica beyma, s.a.