

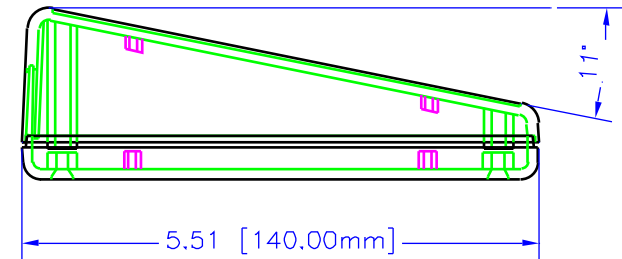
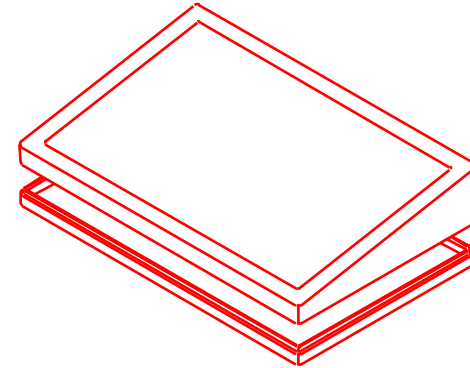
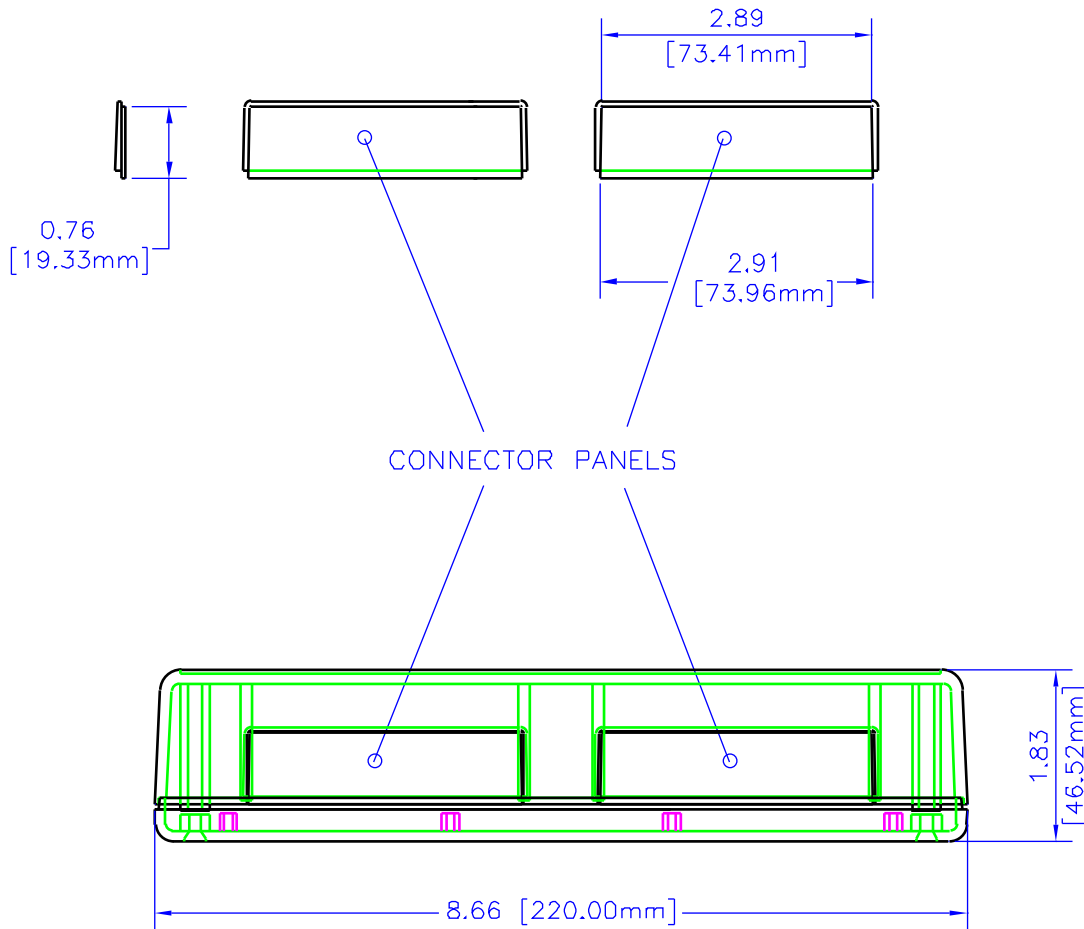
REV	DESCRIPTION	DATE

NOTES

MATERIAL (ABS) FLAME RETARDANT UL94 V0 MATERIAL WITH BRASS INSERTS IN CORNER POSTS.
(STYRENE) IS NON-FLAME RETARDANT WITHOUT BRASS INSERTS.

PARTS (ABS) VERSION MACHINE SCREWS M3-0,5 x 10mm, REPLACEMENT PN 1591MS100 (100 / BAG), (STYRENE) VERSION SELF TAPPING #4 x 0,5", REPLACEMENT PN 1591TS100 (100 / BAG).

COLORS (ABS) BLACK, & GRAY, (STYRENE) GRAY ONLY.



ASSEMBLEI

UNLESS OTHERWISE SPECIFIED
DIMENSIONS ARE IN INCHES

XX	+/- .1
XX	+/- .02
XXX	+/- .015
CUTS	+/- .005
ANGLES	+/- .5 DEG

NOTICE
HAMILTON PLANS PROPRIETARY RIGHTS TO THE MATERIAL ON THIS DRAWING. IT IS INTENDED TO BE USED AS A REFERENCE FOR ENGINEERING INFORMATION ONLY. THIS INFORMATION MAY NOT BE USED TO MANUFACTURE PRODUCT WITHOUT WRITTEN PERMISSION FROM HAMILTON MANUFACTURING.

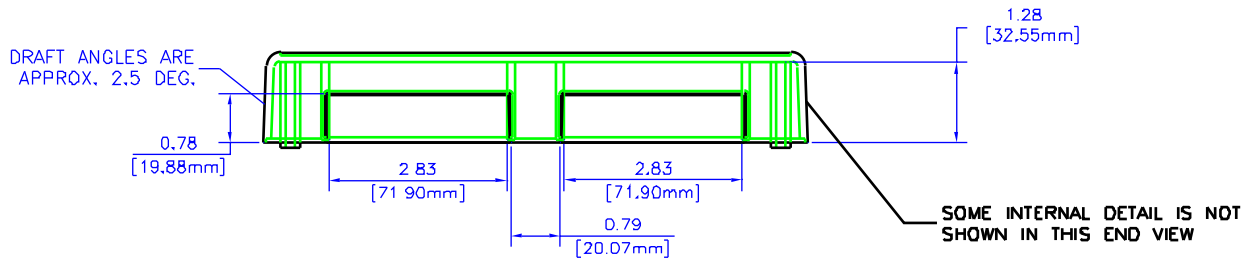


**HAMMOND
MANUFACTURING**

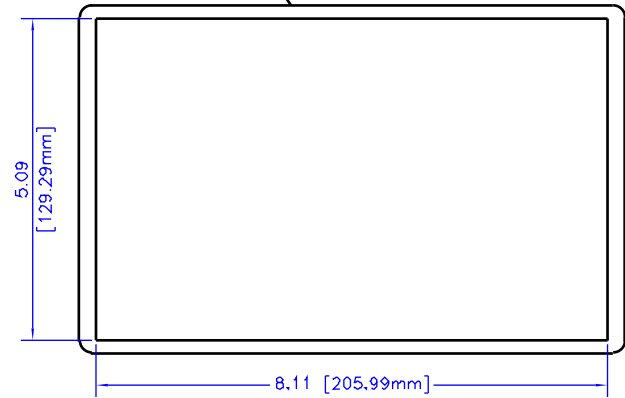
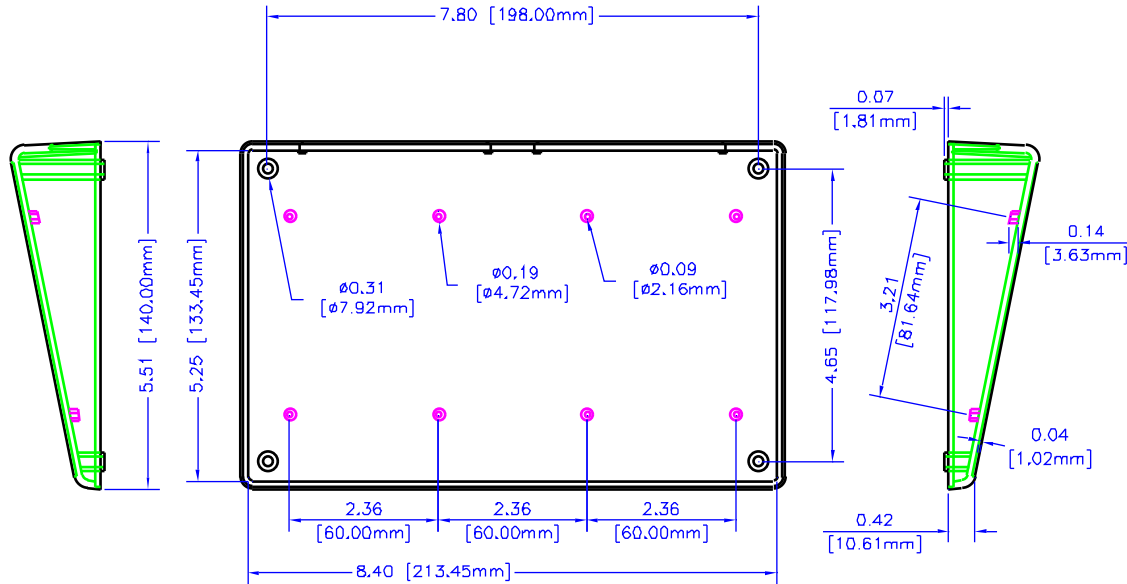
WEB: WWW.HAMMONDMFG.COM

TITLE		HAMMOND 1599 SERIES SLOPED CONSOLE	
DRAWN BY	MJM	DATE	07/03/01
SCALE		PAGE	1 OF 3
PART NUMBER	1599KTS		

NOTES



INTERNAL DETAIL IS NOT SHOWN IN THIS VIEW. FACE IS SHOWN FLAT (NOT ANGLED)



BOX

INTERNAL DETAIL IS NOT SHOWN IN THIS END VIEW

UNLESS OTHERWISE SPECIFIED
DIMENSIONS ARE IN INCHES.

X +/- .1

XX +/- .02

XXX +/- .015

CUTS +/- .005

ANGLES +/- .5 DEG.

FINISH

HAMMOND CLAIMS PROPRIETARY RIGHTS TO THE MATERIAL ON THIS DRAWING. IT IS INTENDED TO BE USED AS A REFERENCE FOR EXAMINING INFORMATION ONLY. THIS INFORMATION MAY NOT BE USED TO MANUFACTURE PRODUCT WITHOUT WRITTEN PERMISSION FROM HAMMOND MANUFACTURING.

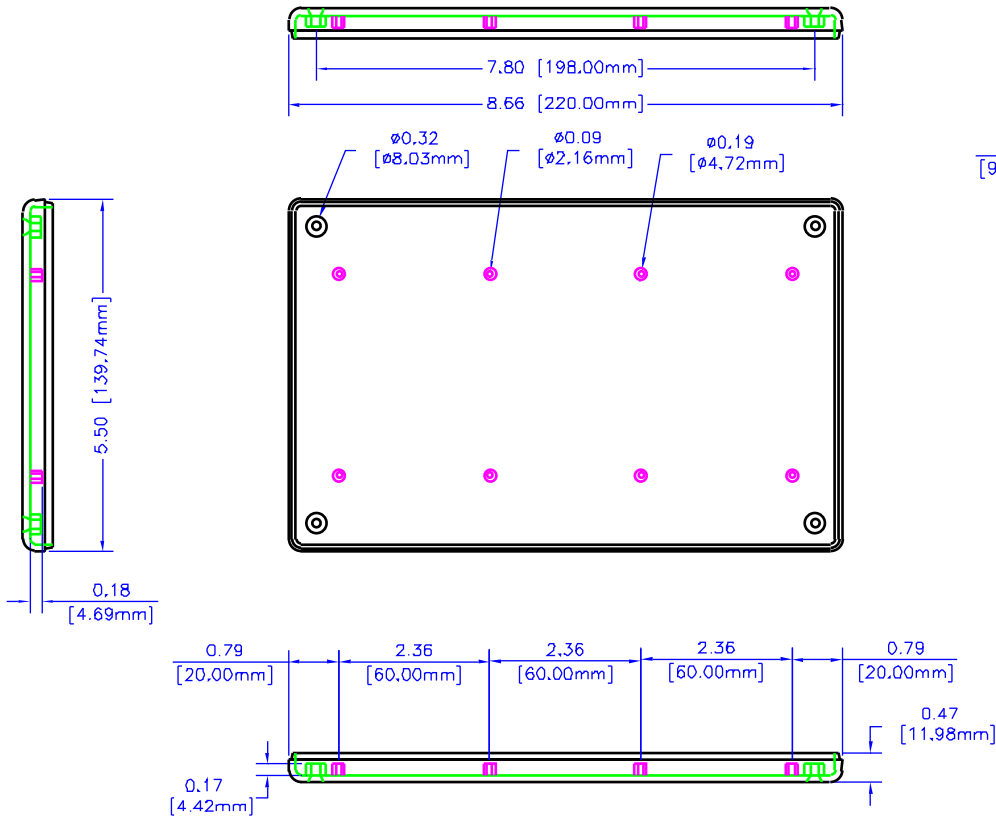


**HAMMOND
MANUFACTURING**

WEB: WWW.HAMMONDMFG.COM

TITLE		HAMMOND 1599 SERIES SLOPED CONSOLE	
DRAWN BY	MJM	DATE	07/03/01
SCALE		PAGE	2 OF 3
PART NUMBER	1599KTS		

NOTES



LID

UNLESS OTHERWISE SPECIFIED
DIMENSIONS ARE IN INCHES.
X +/- .1
XX +/- .02
XXX +/- .015
SLOTS +/- .003
ANGLES +/- .5 DEG.
TOLERANCE



**HAMMOND
MANUFACTURING**

WEB: WWW.HAMMONDMFG.COM

TITLE		HAMMOND 1599 SERIES SLOPED CONSOLE	
DRAWN BY	MJM	DATE	07/03/01
SCALE		PAGE	3 OF 3
PART NUMBER	1599KTS		