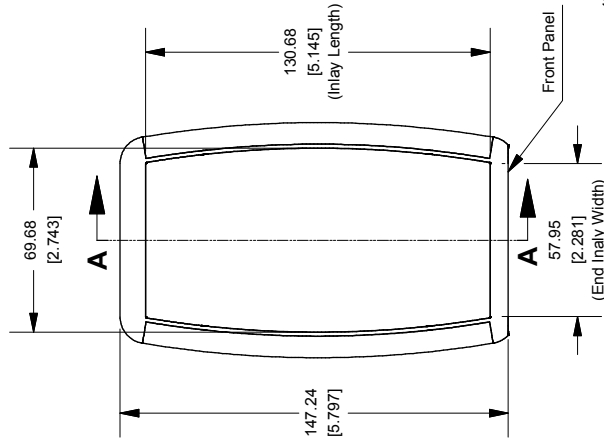
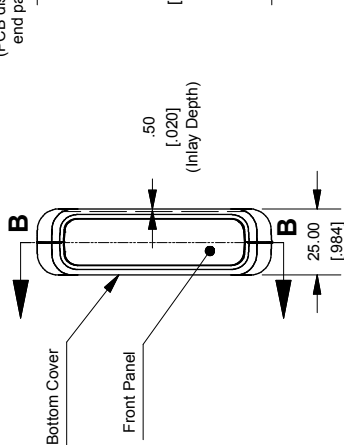


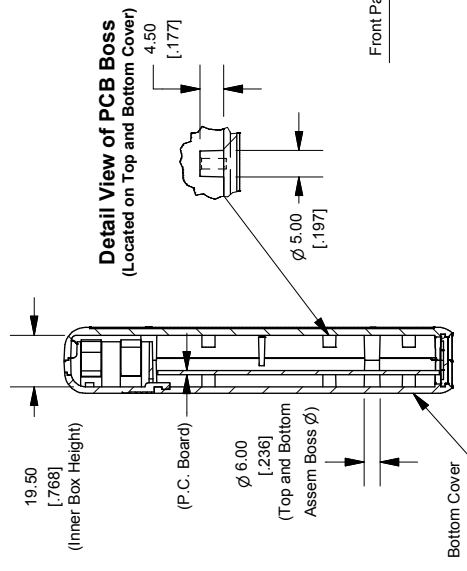
### Top View of Assembly



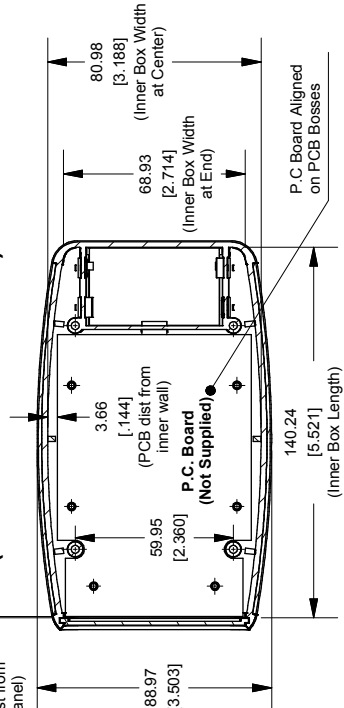
### End View of Assembly



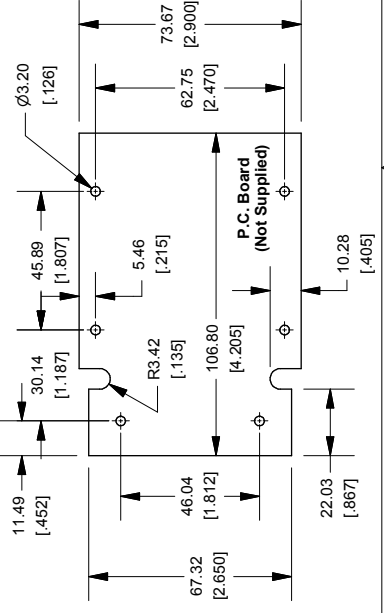
### SECTION A-A (Side View Inside Assembly)



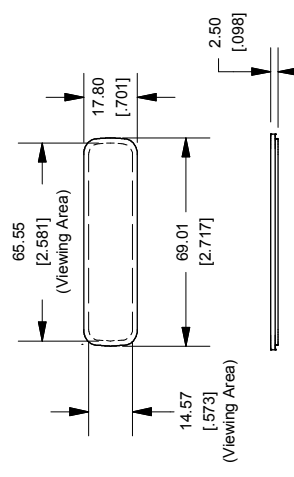
### SECTION B-B (Inside of Bottom Cover)



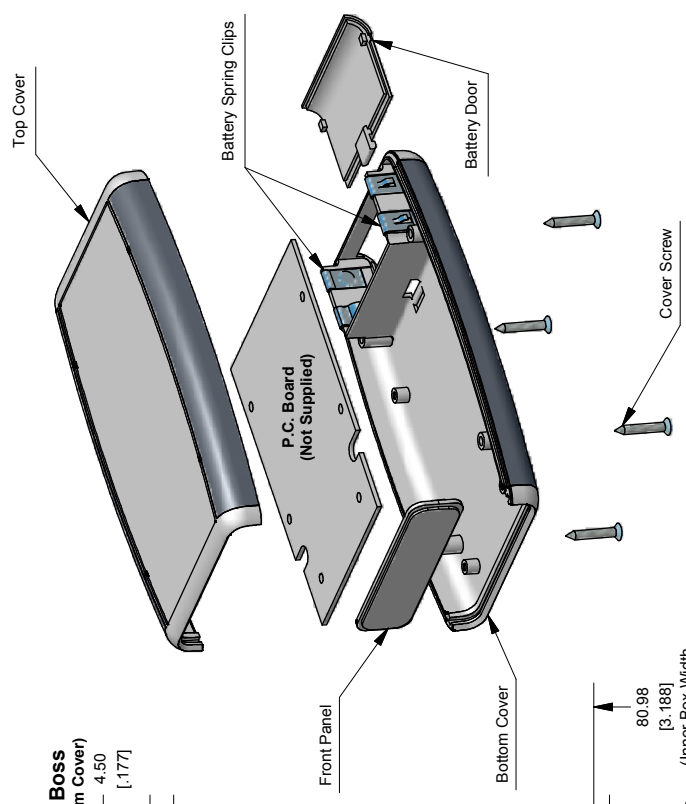
### Maximum P.C. Board Size



### Front/Rear Panel (Dashed Line Indicates Viewing Area)



### Battery Series (1553D)



### NOTE

Purchased assembly includes top and bottom cover, front plastic panel, battery door, battery spring clips, 9V adapter and 4 cover screws.



www.hammondmfg.com