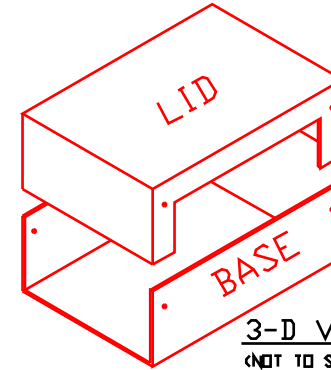


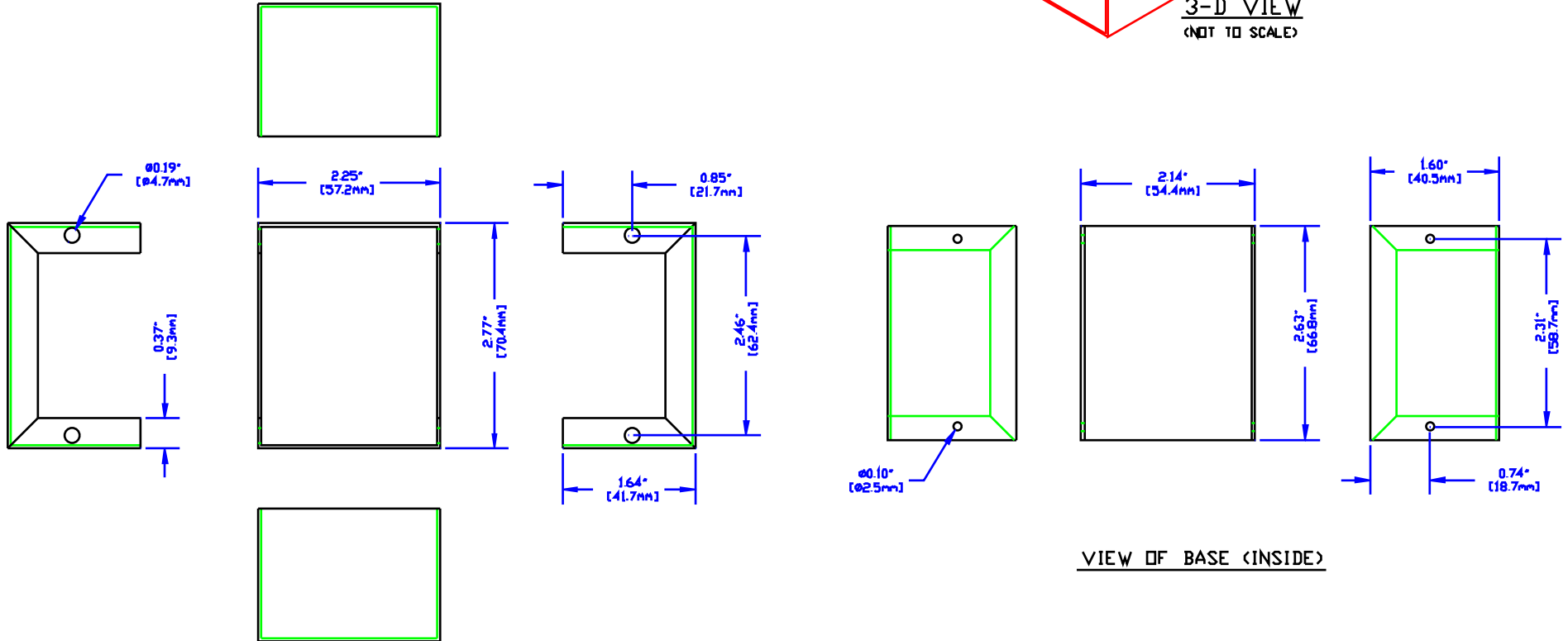
NOTES

MATERIAL - 0.040" THICK ALUMINUM
- #6 x 1/4" SELF TAPPING SCREWS

** 1411B - FINISHED ASA 61 GREY
1411BU - UNFINISHED



3-D VIEW
(NOT TO SCALE)



VIEW OF LID (INSIDE)

VIEW OF BASE (INSIDE)



HAMMOND MANUFACTURING

1411B-Handy Case

website: www.hammondmfg.com