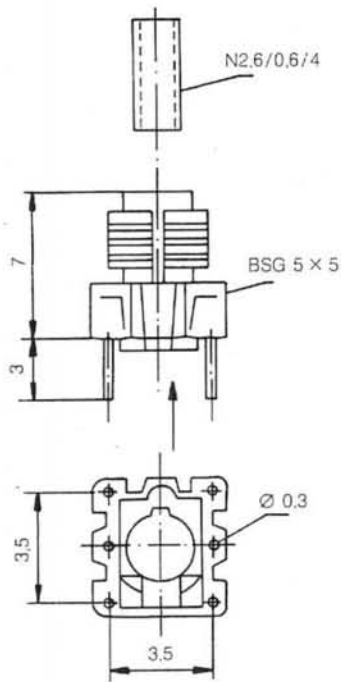
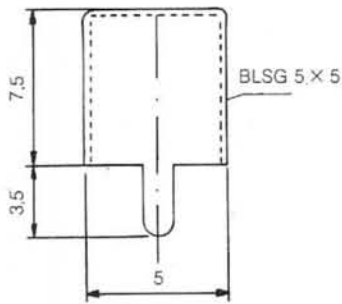
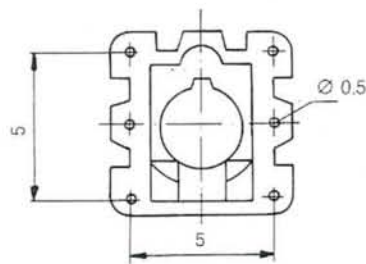
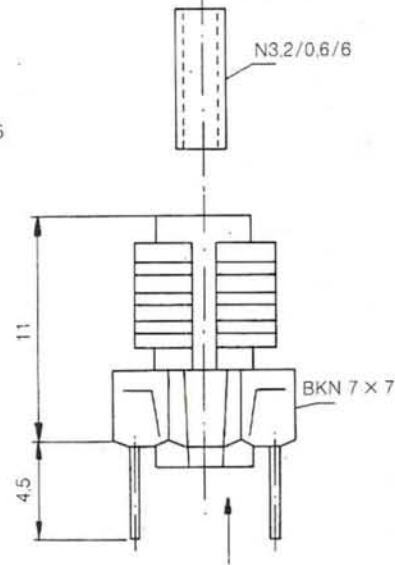
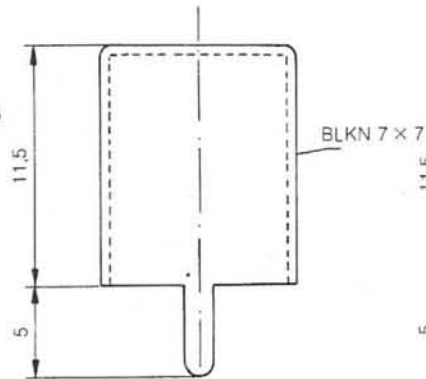


Conjuntos

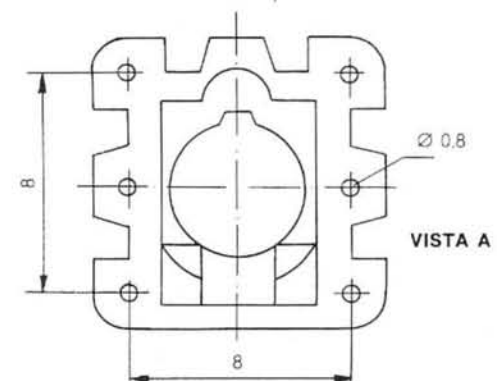
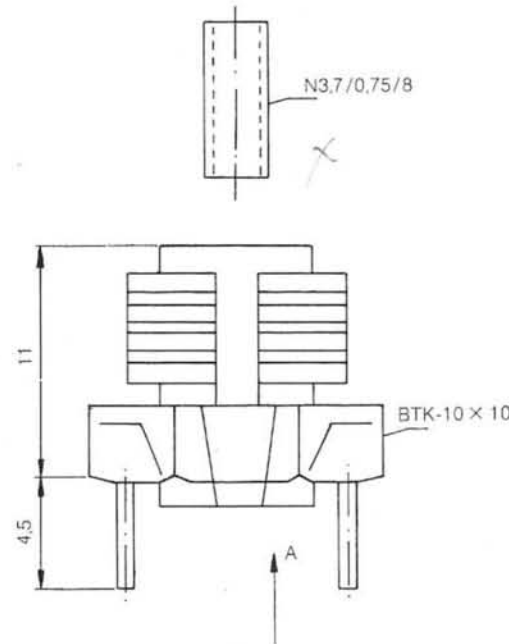
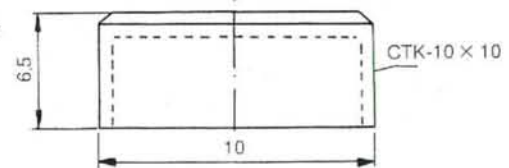
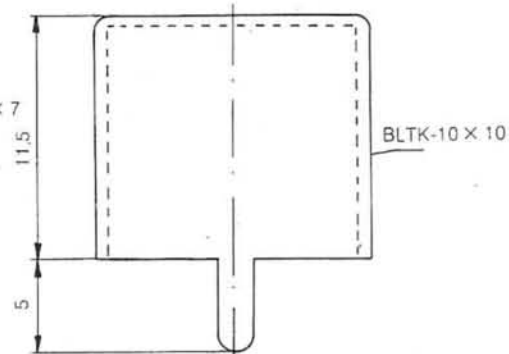
5 × 5 SG



7 × 7 KN



10 × 10 TK



CUSTOMER (納入先) PRODIN.		PAGE 1/1		APRED (承認)	CHKED (検印)
PARTS NAME (品名) 6D2-TA-3.7X8A0.75		LOT No. (ロット番号) T-971108-3	LOT SIZE (数量又は出荷数) 5	 INSPECTOR (検査者) H. HAKUMA	
PARTS No. (品番)		DATE (出荷月日年) 11.10.	TEST DATE (試験月日年)		
MATERIAL (材質)	RANK, COLOR (ランク, 色)	TEMP. (温度) 25.0 °C		JUDGE MENT (検査判定) OK	
REMARKS (備考)		HUMI. (湿度) 56 %			

No. (n)	1 (n= 5)	2 (n= 5)	3 (n= 5)	4 (n= 5)
TEST ITEM (試験項目)	0	Uapp	DIM.	DIM.
	20MHz	20MHz	A	B
SPEC NOM.	100	2.05	3.70	8.0
TOL U (MAX)		+7%	+0.03	+0.3
TOL L (MIN)	-0	-7%	-0.03	-0.3
STD				
UNIT (単位)			mm	mm
DATA No. 1	111.000	2.060	3.698	7.970
2	112.000	2.050	3.707	7.940
3	111.000	2.060	3.704	7.970
4	113.000	2.070	3.707	7.930
5	112.000	2.060	3.706	7.940
6				
7				
8				
9				
10				
X	111.800	2.060	3.704	7.950
R	2.000	0.020	0.009	0.040
JUDGE (項目判定)	OK	OK	OK	OK

No. (n)	1 (n= 5)	2 (n= 5)	3 (n= 5)	4 (n= 5)
TEST ITEM (試験項目)				
SPEC NOM.				
TOL U (MAX)				
TOL L (MIN)				
STD				
UNIT (単位)				
DATA No. 1				
2				
3				
4				
5				
6				
7				
8				
9				
10				
X				
R				
JUDGE (項目判定)				

TOP

TEST COIL No., (SPEC) **A-A. (UDSGD_32...5Is)**
 (規定コイル名:線種,巻数) **Q0=73 L0=0.268uH**
 TESTING INSTR. **MQ-1601**

SHAPE (形状)

