

## Type 4, 4X Polycarbonate Pushbutton Enclosure 1554

### PB Series



**Panel  
Sold  
Separately**



### Standards

- IP66
- NEMA 4, 4X, 12 & 13
- UL94 5V

### Construction

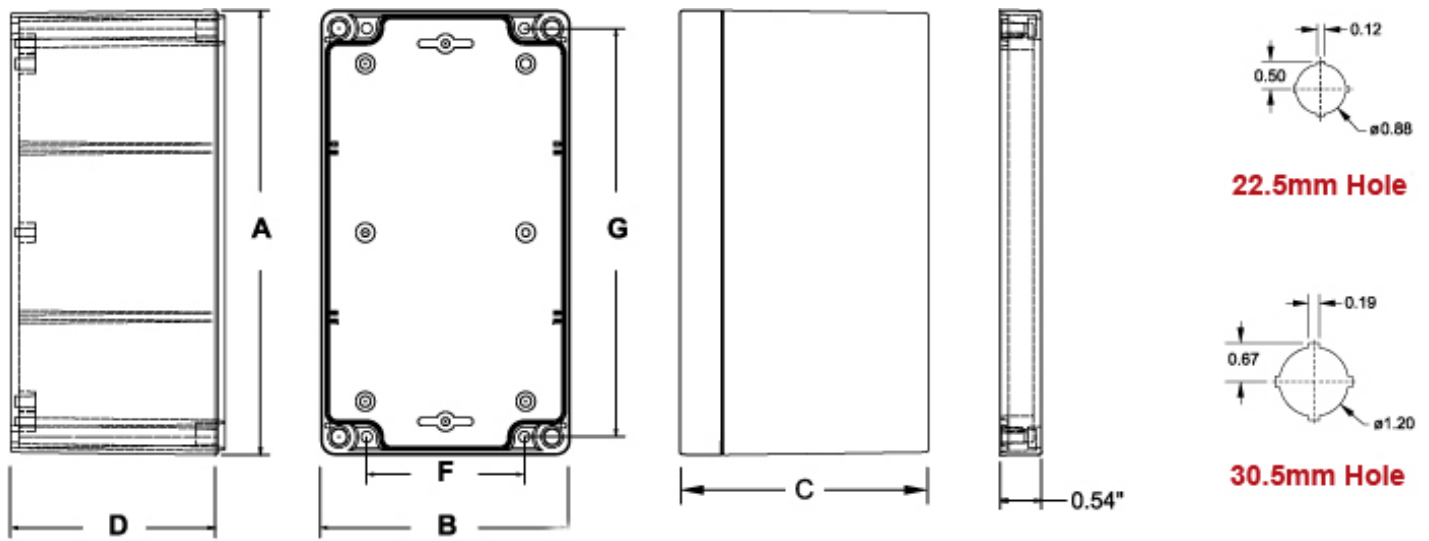
- Electronic instrument enclosures, designed for mounting printed circuit boards or DIN rail mounted components.
- The polycarbonate material carries a UL flammability rating of UL94 5V and is suitable for outdoor use.
- Lid and mounting holes are located outside of the gasket seal.
- Lid is secured with self capturing M4 stainless steel machine screws (included), threaded into integral stainless steel bushings (for repetitive assembly & disassembly).
- Heavy duty 16 gauge galvanized steel panels available (see chart)
- All stainless steel hardware to avoid corrosion caused by dissimilar metals.
- Gasket is factory poured using high temperature U.L. listed - silicone rubber gasket material.
- Gasketed lid with two piece “tongue & groove” construction provides protection against access of oil, dust and water.
- Internal DIN rail mounting tabs.
- Threaded (M3) integral brass inserts & standoffs designed for M3.5 or #6 self tapping screws for P.C. board or inner panel mounting in all but the smallest size.
- Vertical P.C. card guides (for 1.5 mm thick P.C. boards) are molded in all but the smallest size

### Finish

- Color is light gray (RAL 7035)

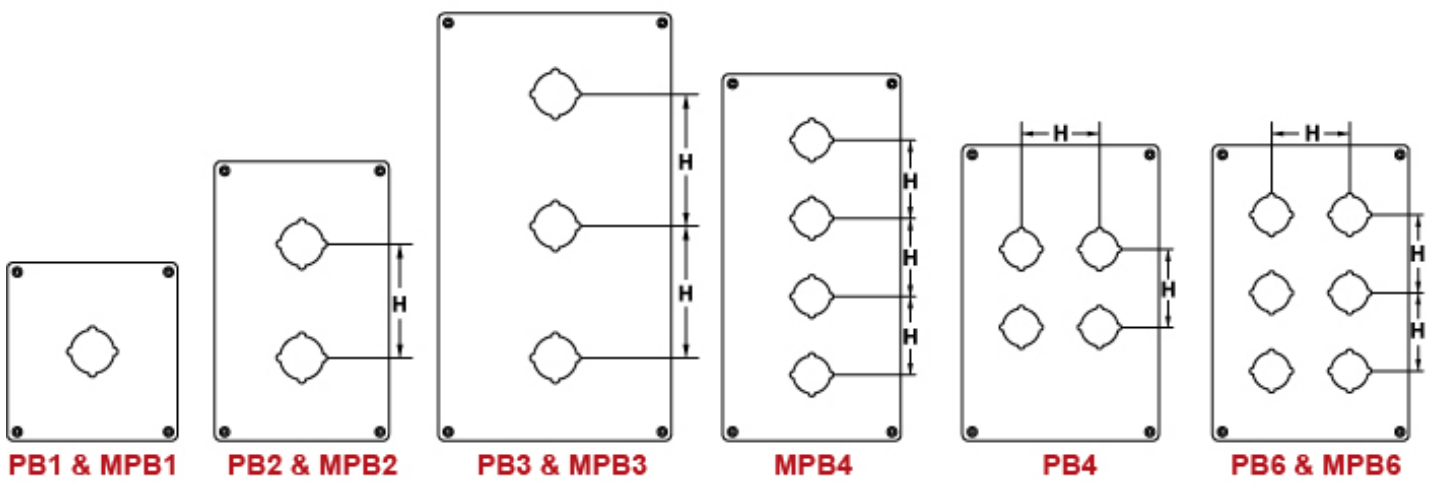
### Optional Inner Panel

- Heavy duty panels for mounting components
- Galvanized 16 ga. steel.
- Includes mounting hardware.



**Body View**

**Lid View**



**PB1 & MPB1**

**PB2 & MPB2**

**PB3 & MPB3**

**MPB4**

**PB4**

**PB6 & MPB6**

Part No.		# of Holes	Overall Depth							22 mm H	30.5 mm H	Optional Inner Panel Part No.	Panel Dimensions	
22 mm	30.5 mm		A	B	C	D	F	G	Length				Width	
1554MPB1	1554PB1	1	3.50	3.50	2.40	1.77	3.03	2.24	Center	Center	1554EPL	3.10	3.10	
1554MPB2	1554PB2	2	6.30	3.50	2.40	1.77	2.24	5.79	1.89	2.52	1554JPL	5.80	3.00	
1554MPB3	1554PB3	3	7.90	4.70	3.50	2.95	3.43	7.37	1.89	2.52	1554UPL	7.60	4.20	
1554MPB4	1554PB4	4	7.90	4.70	3.50	2.95	3.43	7.37	1.89	2.52	1554UPL	7.60	4.20	
1554MPB6	1554PB6	6	9.50	6.30	3.50	2.95	5.00	8.93	1.89	2.52	1554VPL	9.10	5.70	

Data subject to change without notice