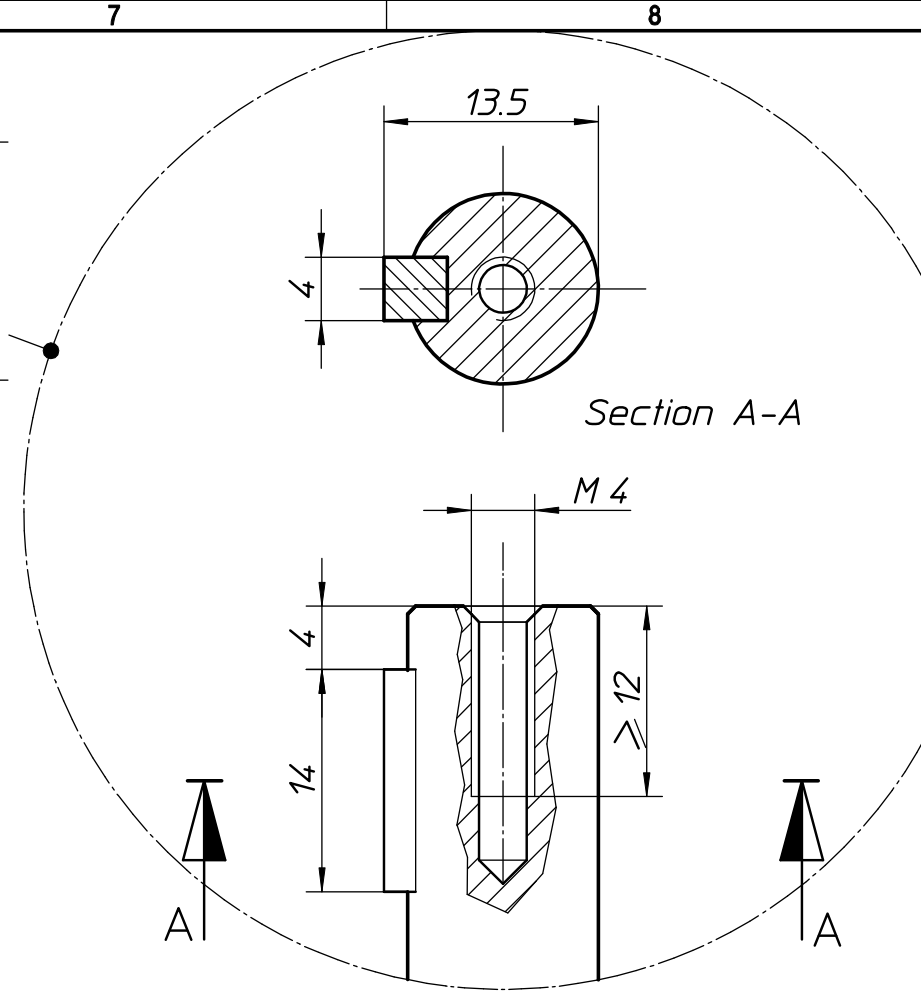
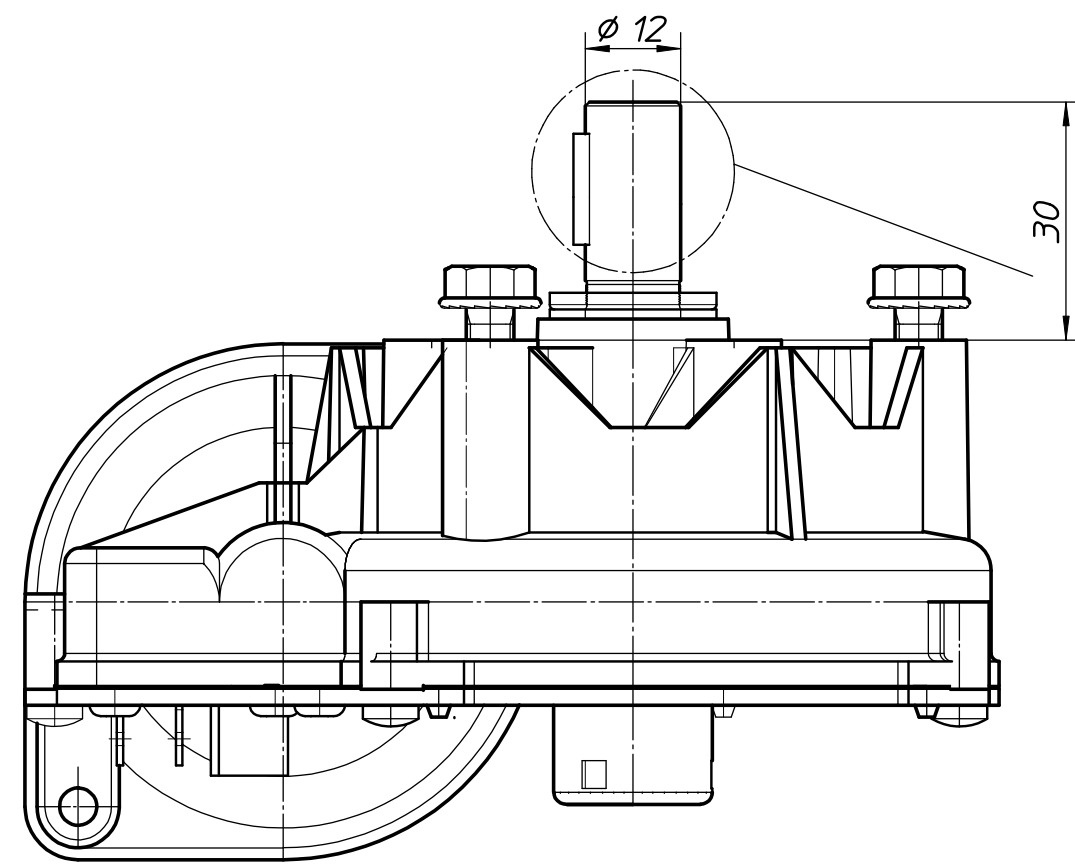
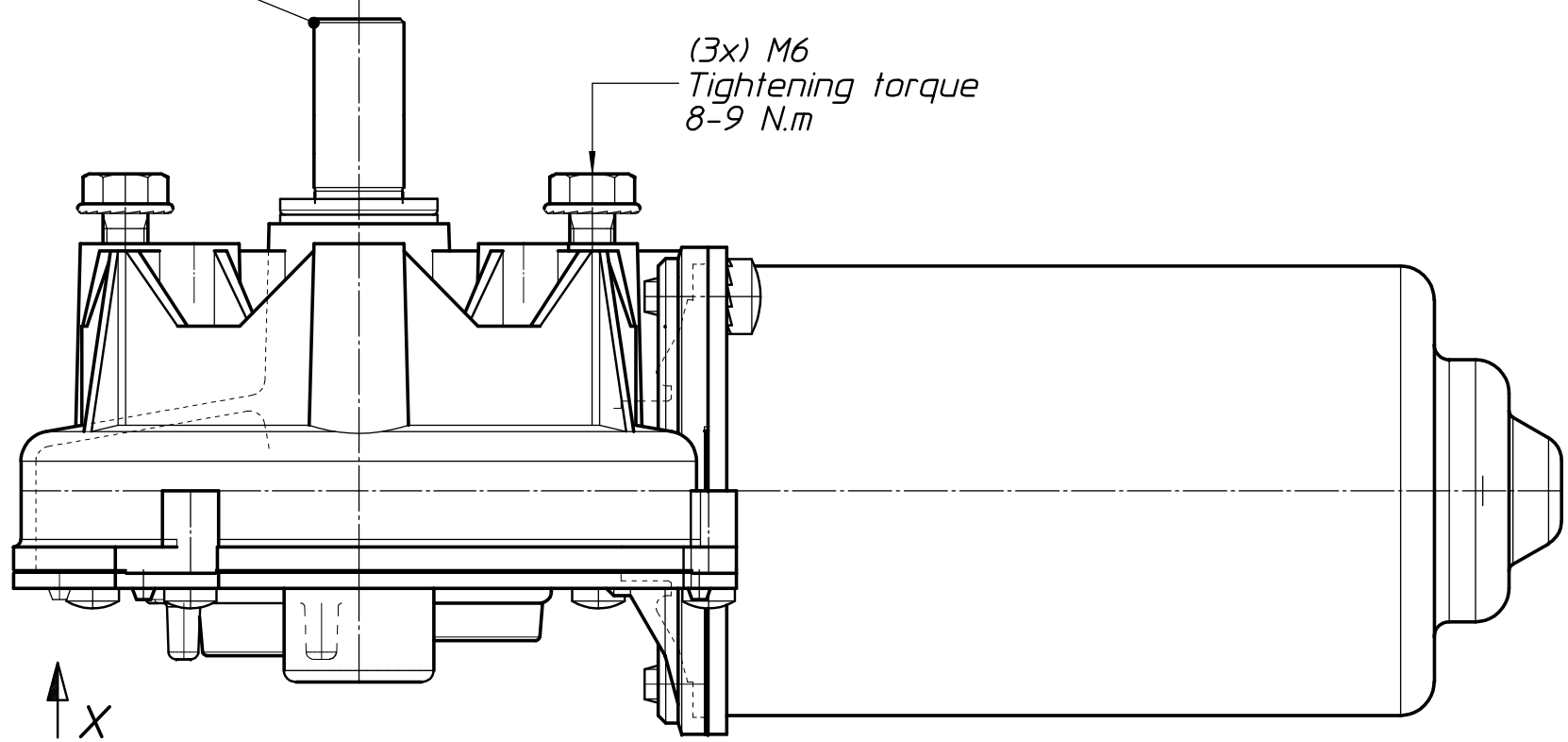
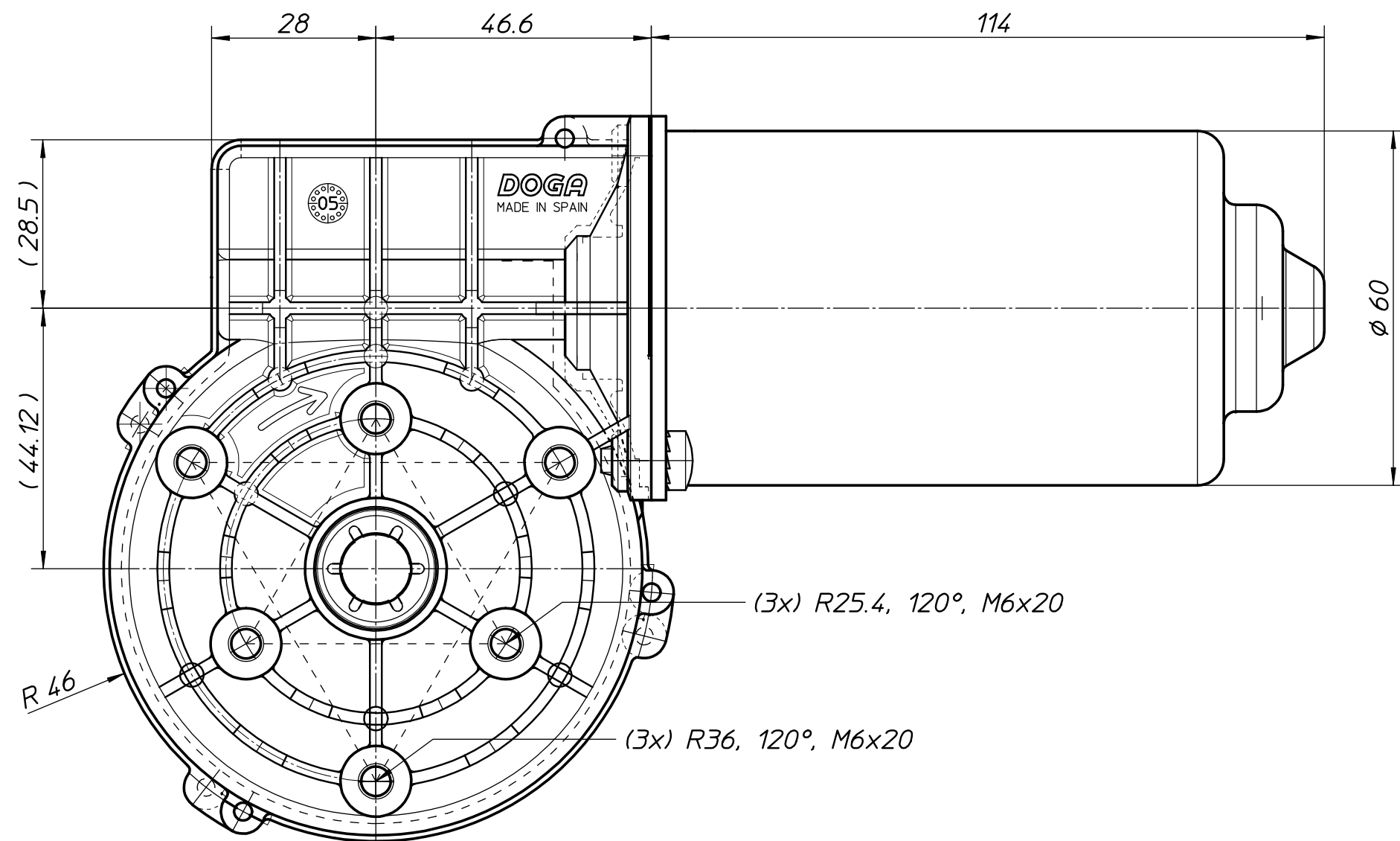


Bronze gear
 (3x) M6
 Tightening torque
 8-9 N.m

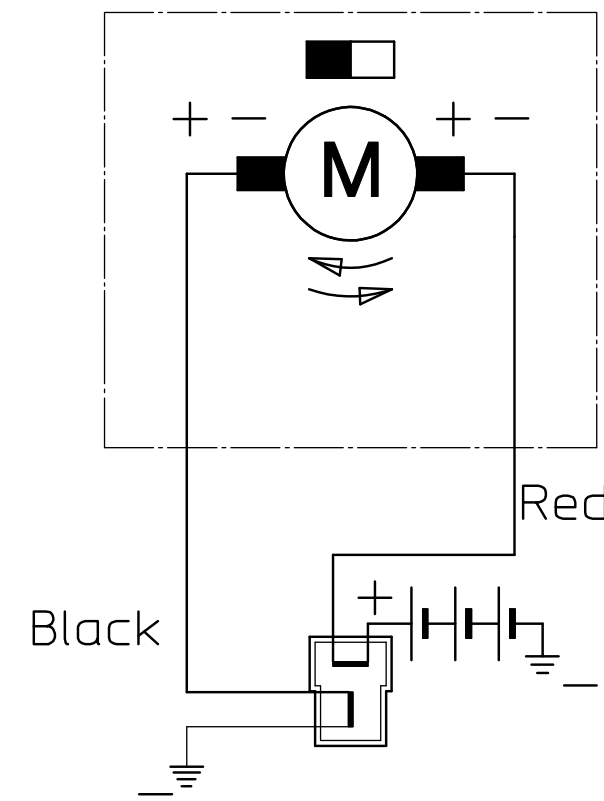


DETAIL SHAFT END
 WITHOUT CLAMP
 Scale 2:1



Red	Black	Sense of rotation
+	-	→
-	+	←

MOTOR P/N	V
319-3822-20-00	12
319-3822-30-00	24



MOTOR PERFORMANCE TYPE 319

NO LOAD PERFORMANCE				Starting torque	Nominal Torque	Testing voltage
Speed	V	Current	Rpm.			
$n1$	12	$\leq 1.7 A$	50 ± 5	50 Nm	8 Nm	13 V
$n1$	24	$\leq 1.2 A$	50 ± 5	60 Nm	9 Nm	26 V

MODIFICACIONES	COORD.

TAB AMP 180.907-0
 FEMALE TERMINAL 6.35
 (Not supplied)

HOUSING AMP 180.908-0
 MALE TERMINAL 6.35x0.8
 AMP 42241-2

VIEW FROM X

WIRING DIAGRAM
 (View front connector)

CLIENTE CUSTOMER	REF. CLIENTE CUSTOMER PART No.	VEHICULO VEHICLE	DOGA LIMPIAPARABRISAS - COMPONENTES DE AUTOMOCION WINDSHIELD WIPERS - AUTOMOTIVE COMPONENTS
MATERIAL	PESO WEIGHT		ME10
TRATAMIENTO / ACABADO TREATMENT / FINISH			
TOL.GENERALES GENERAL TOL.	SUSTITUYE A: REPLACES:	REFERENCIA PART No.	MOD.
0.2	SUSTITUIDO POR: REPLACED BY:	PCL	319-3822-0-00
0.1	DENOMINACION NAME	MOTOR ROTATIVO Mod. 319, GAMA C.C ROTARY MOTOR Model 319, RANGE D.C.	
0.2		ESCALA SCALE	
0.2		1:1	
0.2		ARCHIVOS DATA FILES	MODEL n/a DRAWING
0.2		TAMARO D. SIZE	HOJA SHEET
0.2		A2	1 DE 1