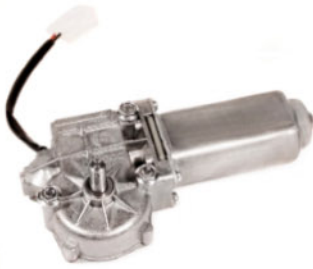


## DOGA Windshield wiper motor type 317



- Up to 12Nm starting torque
- Low noise level
- Compact
- 12 / 24V DC

### Description

The Doga 317 is a compact 12 or 24V DC motor with worm gear.

Featuring low noise and good torque characteristics.

Many versions available with options for output shaft and wiring configurations.

Offering a high starting torque it is suitable for many applications.

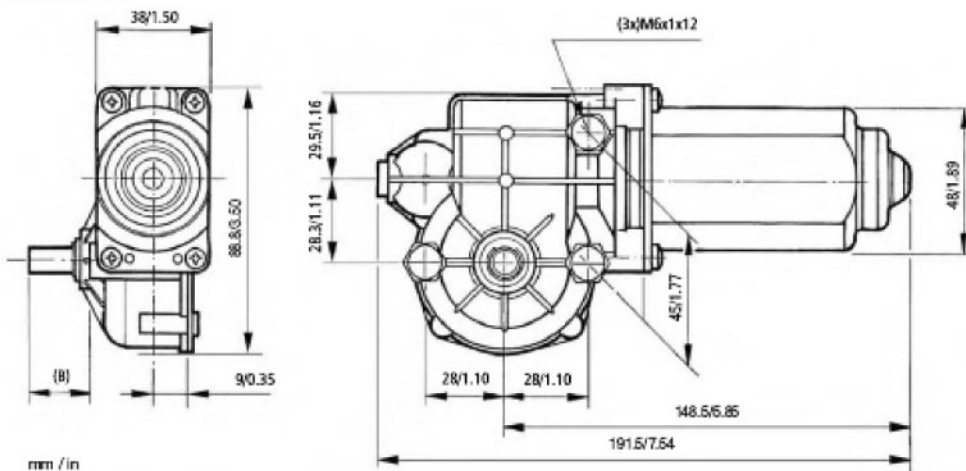
Special voltages and speed/shaft combinations are available from 200 pieces per order.

### Technical data

| Part no.        | Voltage<br>DC | Nominal<br>speed<br>rpm | Nominal<br>torque<br>Nm | Nominal<br>current<br>A | Starting<br>torque<br>Nm | Starting<br>current<br>A | Output<br>shaft | Wiring<br>diagram | Input<br>Socket | Curve |
|-----------------|---------------|-------------------------|-------------------------|-------------------------|--------------------------|--------------------------|-----------------|-------------------|-----------------|-------|
| 317.2711.20.00  | 24            | 25                      | 4                       | 2.5                     | 12                       | 8                        | E29             | EE4               | C30             | 64    |
| 317.2711.30.00  | 12            | 25                      | 4                       | 1.1                     | 12                       | 4                        | E29             | EE4               | C30             | 64    |
| 317.2761.20.00  | 12            | 25                      | 4                       | 2.5                     | 12                       | 8                        | E30             | EE4               | C30             | 64    |
| 317.2761.30.00  | 24            | 25                      | 4                       | 1.1                     | 12                       | 4                        | E30             | EE4               | C30             | 64    |
| 317.2761.20.00E | 12            | 25                      | 4                       | 2.5                     | 12                       | 8                        | E30             | F4                | C30             | 64    |
| 317.2761.30.00E | 24            | 25                      | 4                       | 1.1                     | 12                       | 4                        | E30             | F4                | C30             | 64    |
| 317.0704.20.00  | 12            | 65                      | 3.5                     | 4                       | 12                       | 8                        | E65             | EE4               | C30             | 68    |

IP Rating All IP40  
Weight All 1.15 Kg

### Dimensions



## Details and curves

