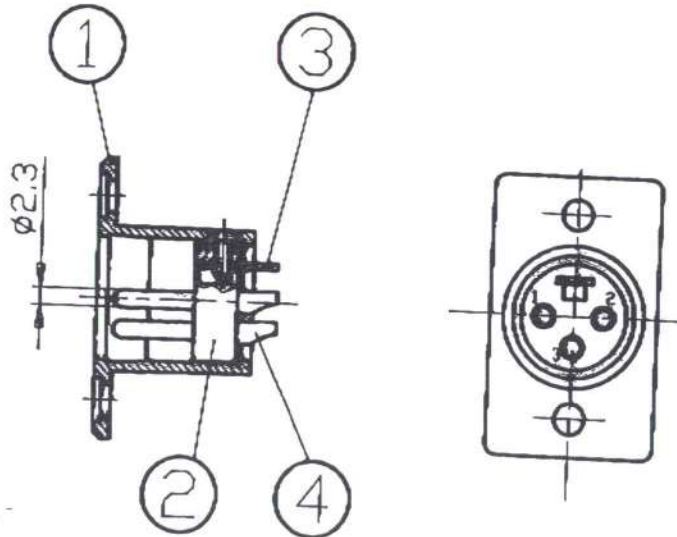
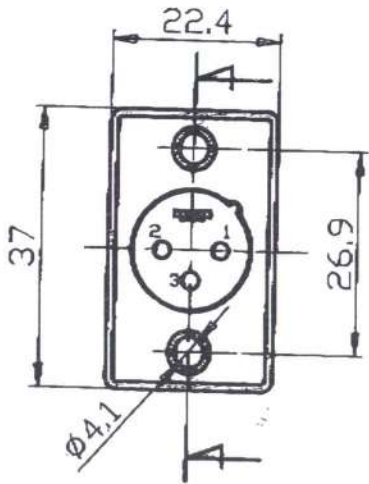
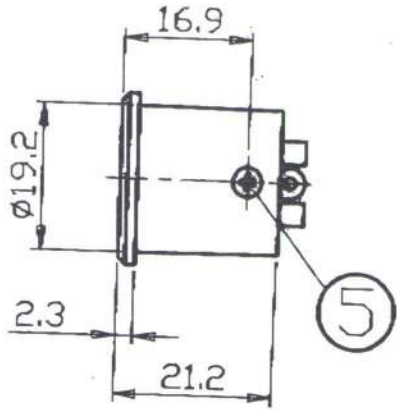
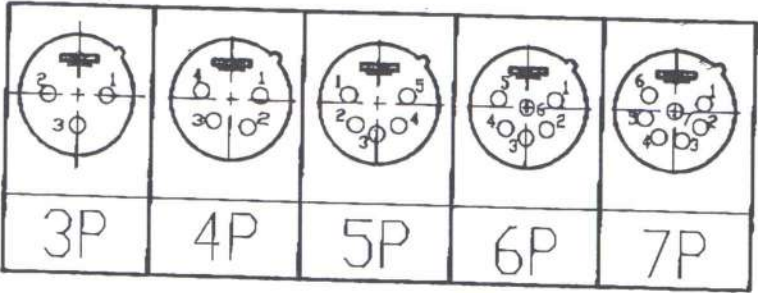


RECEIVED TIME 17. JUN. 9:53



5	IRON	鐵
4	COPPER	黃青銅
3	COPPER	黃青銅
2	PBT	PBT
1	ZINC	鋅合金
ITEM NO.	DESCRIPTION	MATERIAL

CONTENTS	RELEVANT DOCUMENTS

MATERIAL		MODEL NO.	MCP-505	TITLE	
UNIT	M/M	KIND NO.		DRAWING NO.	
SCALE	1/1	SPECIFICATION		PAGE	