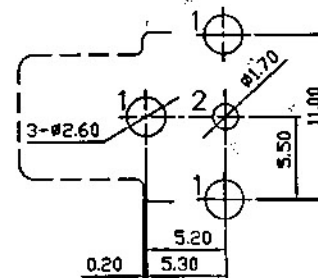
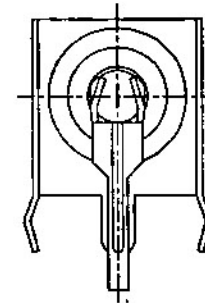
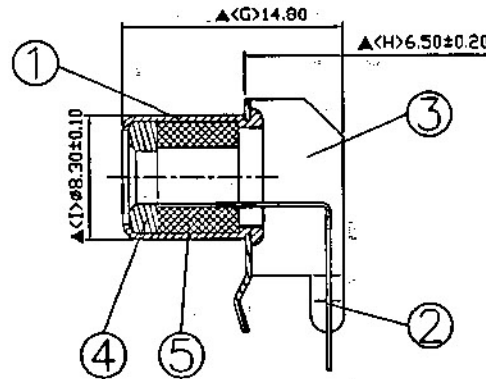
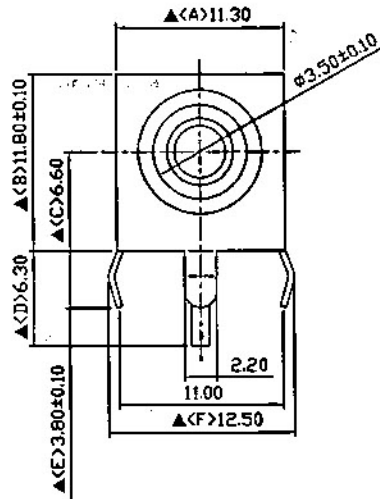
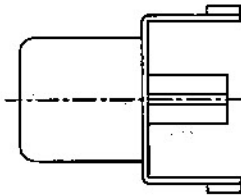


SCHEMATIC	
MODEL NO	U



5.	Insulator	PBT	1	Black Color
4.	Insulator	PBT	1	Black Color
3.	Body	0.4T Steel	1	Gold Plated
2.	Terminal	0.25T Brass	1	Gold Plated
1.	Barrel(Sleeve)	0.3T Steel	1	Gold Plated
NO.	Description	Material	Q'TY	Finish

Pin Hole Layout  
(Jack Bottom View)

全  
共工深(深)有限公司  
2011-10-19  
面發行

文管  
中心發行  
2011-10-19  
11

DATE	DWN	CHKD	APVD	MANAGER
10.18.2011	韩沙			黄登揚

PART NAME : PIN JACK      PART NUMBER: SCP601UGG1G0000G      VERSION: 3.0

TOLERANCE :  $\pm 0.3\text{mm}$  UNLESS OTHERWISE SPECIFIED      UNIT: mm      SCALE: /

SPECIFICATIONS:  
 Contact Resistance :  $30\text{m}\Omega$  max  
 Insulation Resistance :  $100\text{M}\Omega$  min. at DC 500V  
 Dielectric Withstanding Voltage: AC 500V for one minute  
 Remark: ▲: The Most Important Dimension

RoHS  
Compliant