

## Multi turn Wire Wound Potentiometers, (ø22mm)

**Model: 1803, 3-Turn**  
**Model: 2205, 5-Turn**

**Model: 2010, 10-Turn**  
**Model: 3010, 10-Turn**

### Product:



### Features:

- Wire Wound
- Dual Gang with Concentric Shaft (Model: 3010)
- Different Shaft Diameters and Lengths Available
- Rear Shaft Extension (Model: 2010)
- Bush Mount Available & Servo Mount on request
- Slipping Clutch Available
- Center Tap (4 Pins - Model: 3010)
- Shaft Length Options: 10mm and 15mm

### Technical Details:

Parameters:	Model: 1803	Model: 2205	Model: 2010	Model: 3010
Power Rating	1Watt @ 40°C	1.5Watt @ 40°C	2Watt @ 40°C	3Watt @ 40°C
Resistance Range	As per below chart			
Standard Tolerance	Std. ±5%, other on request	Std. ±5%, other on request	Std. ±5%, other on request	Std. ±5%, other on request
Linearity	Std. ±0.5%, ±0.25% other on request	Std. ±0.5%, ±0.25% other on request	Std. ±0.5%, ±0.25% other on request	Std. ±0.5%, ±0.25% other on request
Rotational Angle	1080° +10° / -0°	1800° +10° / -0°	3600° +10° / -0°	3600° +10° / -0°
Insulation Resistance	500MΩ @ 500VDC	500MΩ @ 500VDC	500MΩ @ 500VDC	500MΩ @ 500VDC
Max. Working Voltage	250VDC	250VDC	250VDC	250VDC
Voltage Proof	750VAC for 1 min. @ sea level	900VAC for 1 min. @ sea level	750VAC for 1 min. @ sea level	1500VAC for 1 min. @ sea level
End Resistance	2Ω or %Lin whichever is greater	2Ω or %Lin whichever is greater	2Ω or %Lin whichever is greater	2Ω or %Lin whichever is greater

### Resistance Value:

Model No.:	Resistance Value
1803	1K, 5K, 10K, 15K
2205	50, 100, 250, 500, 1K, 2K5, 5K, 10K, 25K
2010	100, 200, 250, 500, 1K, 2K, 5K, 10K, 20K
3010	100, 200, 250, 500, 1K, 2K, 5K, 10K, 20K, 50K

**Multi turn Wire Wound Potentiometers, (ø22mm)**

**Model: 1803, 3-Turn**  
**Model: 2205, 5-Turn**

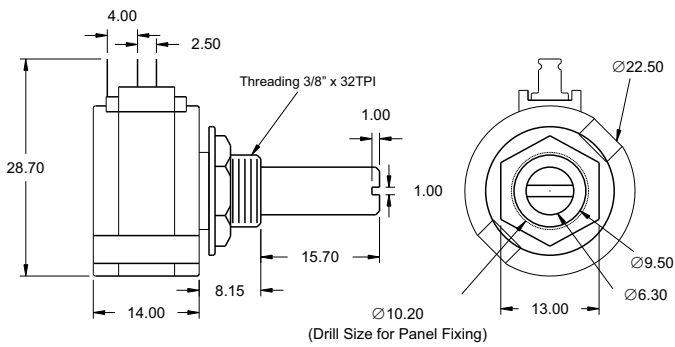
**Model: 2010, 10-Turn**  
**Model: 3010, 10-Turn**

**Resolution Chart:**

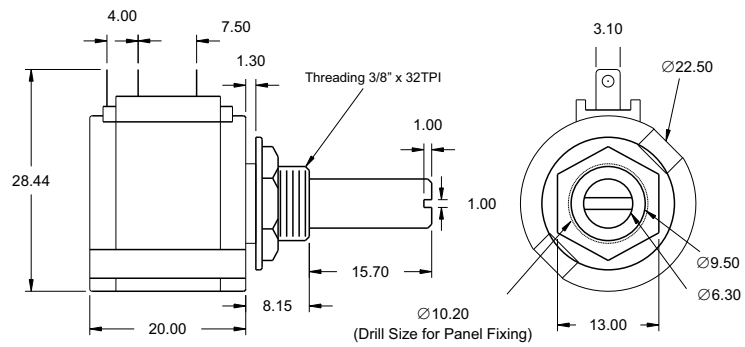
Resistance Value	Model: 2010		Model: 3010		Model: 2205		Model: 1803	
	Resolution (%)	Ohm per Turn	Resolution (%)	Ohm per Turn	Resolution (%)	Ohm per Turn	Resolution (%)	Ohm per Turn
50	N.A	N.A	N.A	N.A	0.128	0.0642	N.A	N.A
100	0.052	0.0524	0.064	0.0641	0.111	0.1109	N.A	N.A
200	0.041	0.0815	0.055	0.1102	N.A	N.A	N.A	N.A
250	0.039	0.0970	0.044	0.1102	0.074	0.1848	N.A	N.A
500	0.029	0.1455	0.037	0.1848	0.059	0.2926	N.A	N.A
1K	0.021	0.2119	0.029	0.2926	0.064	0.6406	0.084	0.8378
2K	0.029	0.5821	0.032	0.6406	N.A	N.A	N.A	N.A
5K	0.016	0.8239	0.023	1.1396	0.033	1.6478	0.051	2.5718
10K	0.012	1.1834	0.016	1.6416	0.026	2.6180	0.055	5.5440
20K	0.010	1.9260	0.013	2.618	N.A	N.A	N.A	N.A
50K	N.A	N.A	0.011	5.698	N.A	N.A	N.A	N.A

**Dimensional Drawings:**

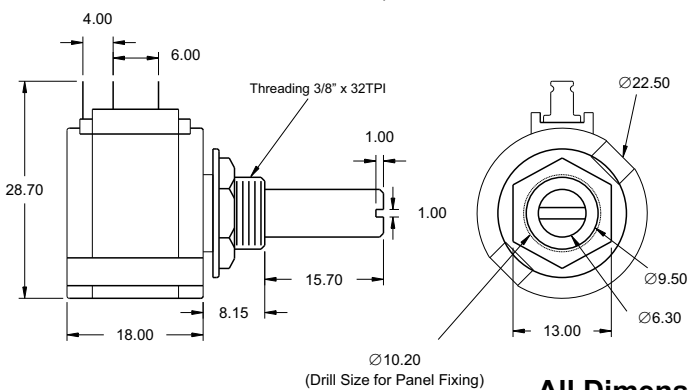
**Model: 1803, 3-Turn**



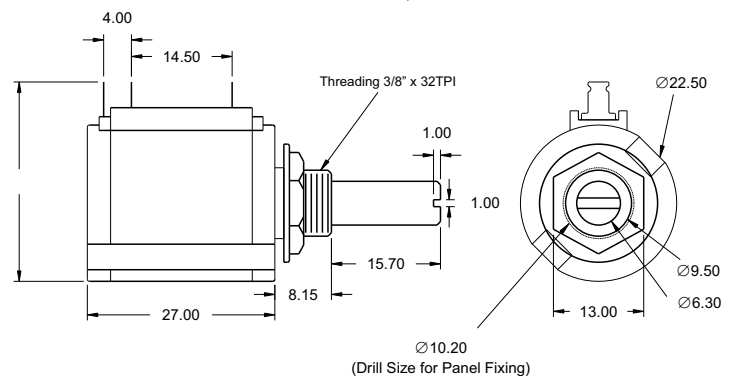
**Model: 2010, 10-Turn**



**Model: 2205, 5-Turn**



**Model: 3010, 10-Turn**



**All Dimensions are in mm**