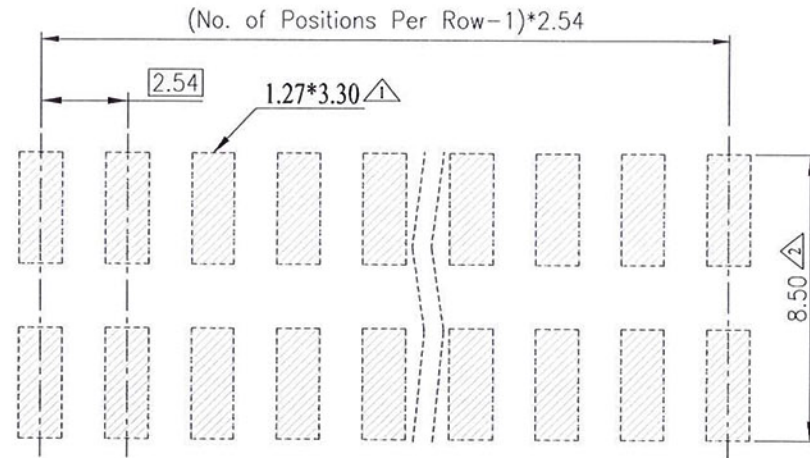
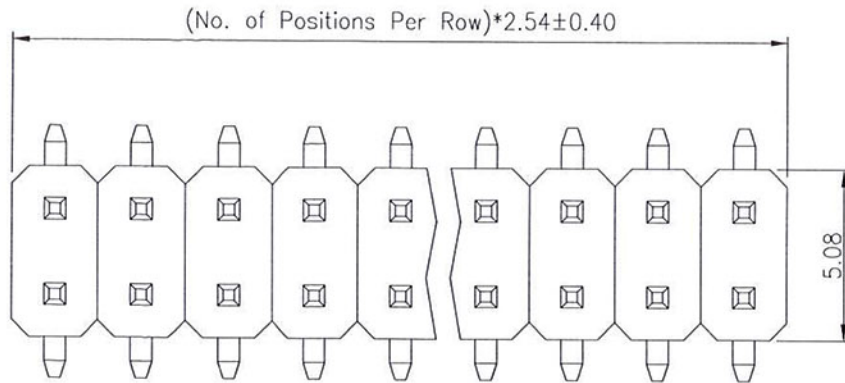
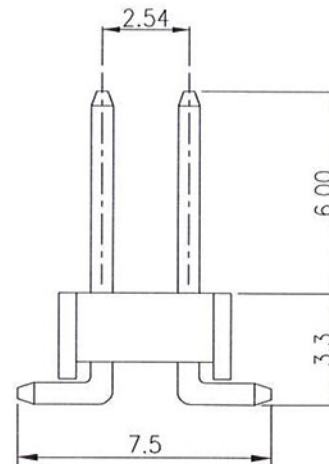
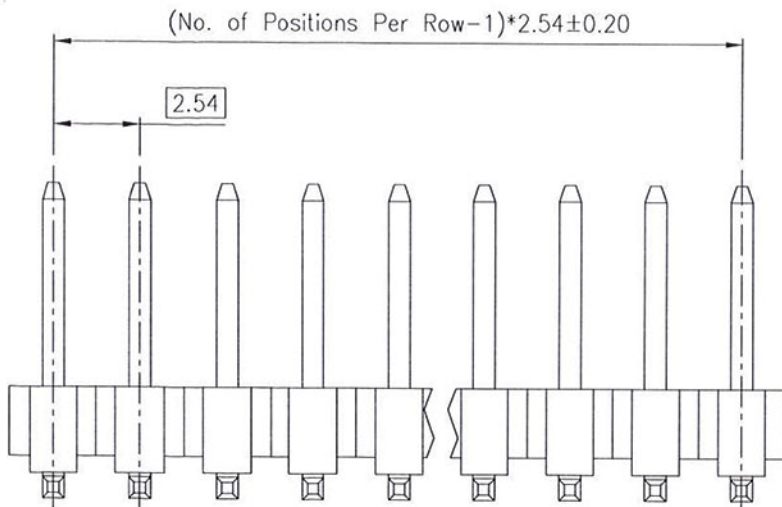


Rev.	Date	Description
A	2005/05/10	New Drawing
B	2005/07/27	Modify
C	2007/05/23	Modify Δ \sim Δ



PCB Layout
(Top View)



Order Information

2306011- ** 2 **

Terminal Plating Options

- 00: Gold Flash
- 30: 10u" Gold
- 40: 15u" Gold

No. of Positions Per Row

1	Material and Finish	Electrical Characteristics	Mechanical Characteristics	Tolerance	Scale	Unit	Title
	1. Housing: Nylon 6T (UL94V-0), Black. 2. Terminal: Sq. 0.64mm Copper Alloy, Gold Plating.	1. Current Rating: 3.0 Amp. Max.. 2. Dielectric Withstand Voltage: 1000V AC RMS for 60Seconds. 3. Insulation Resistance: 1000M Ohms Min. at 1000V DC.	1. Operating Temperature: -55°C ~ +105°C	0.0 ±0.30 0.00 ±0.20 0.000 ±0.10	1:1	mm	
							HD2306011-2 2.54mm Post Header PCB Surface Mount Type Dual Rows, without Post