

KEY FEATURES

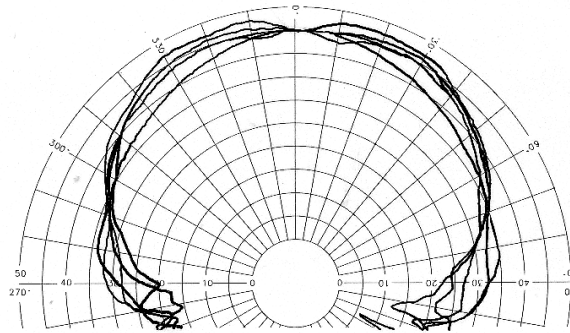
- High power compression tweeter: 25 w AES
- 1.5" (37.6 mm) edgewound aluminium ribbon voice coil
- Aluminium diaphragm
- High Sensitivity: 104 dB
- Constant directivity horn to achieve an extended coverage angle (100° x 60°)



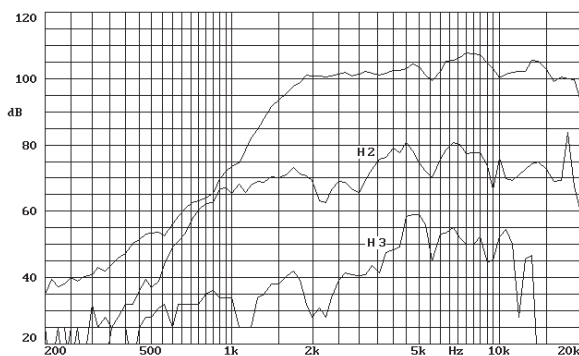
GENERAL DESCRIPTION

This compression tweeter is designed for use in multi-element loudspeaker systems in both sound reinforcement and studio applications. It features smooth response with wide controlled dispersion and high output. The voice coil is wound from flat aluminium wire, bonded to an aluminium diaphragm for extended response and excellent transient attack. The diaphragm assembly is field replaceable without soldering.

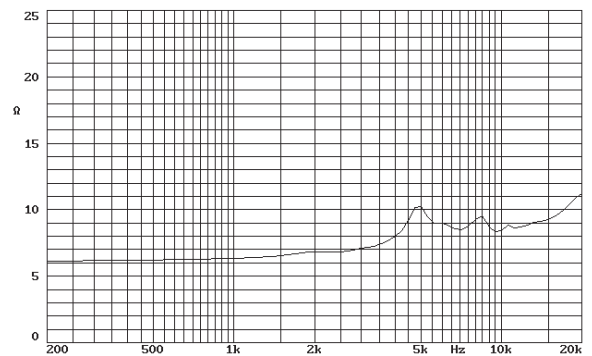
HORIZONTAL POLAR PATTERN



FREQUENCY RESPONSE AND DISTORTION CURVES



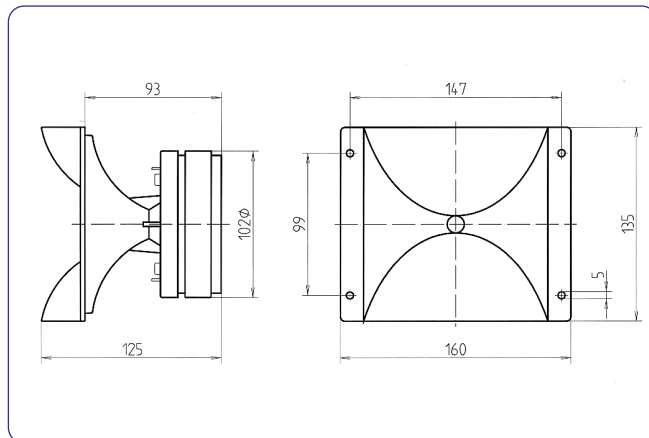
FREE AIR IMPEDANCE CURVE



TECHNICAL SPECIFICATIONS

Rated impedance	8 ohms.
Minimum impedance	8.5 ohms. @ 9 kHz
D.C. Resistance	6.1 ohms.
Power capacity*	25 w AES
Program Power	50 w
Sensitivity**	104 dB 1w @ 1m.
Frequency range	2.5 - 20 kHz
Recommended crossover	5 kHz or higher
Dispersion H x V	100° x 60°
Voice coil diameter	37.6 mm. 1.5 in.
Magnetic assembly weight	1.45 kg. 3.2 lb.
Flux density	1.75 T
BL Factor	6 N/A

DIMENSION DRAWINGS



MOUNTING INFORMATION

Overall diameter	160 x 135 mm.	6.3 x 5.3 in.
Depth	125 mm.	4.9 in.
Baffle cutout dimensions	120 x 130 mm.	4.72 x 5.12 in.
Net weight	1.7 kg.	3.75 lb.
Shipping weight	1.84 kg.	4.05 lb.

Notes:

*The power capacity is determined according to AES2-1984 (r2003) standard. Program power is defined as the transducer's ability to handle normal music program material.

**Sensitivity was measured at 1 m distance, on axis, with 1 w input, averaged in the range 3-15 kHz

MATERIALS

- **Diaphragm:** Aluminium
- **Voice coil:** Edgewound aluminium ribbon
- **Voice coil former:** Kapton
- **Magnet:** Ferrite



acústica beyma, s.a.