

# AN5763

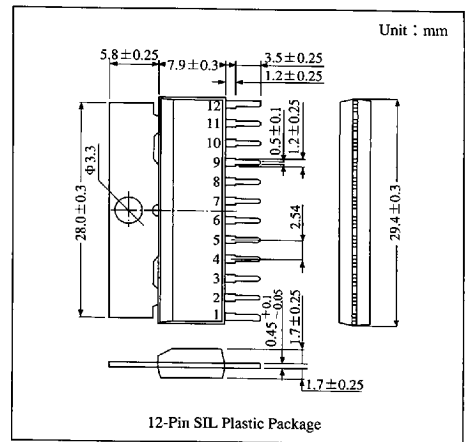
## Vertical Deflection Signal Processing and Output IC for B/W TV

### Overview

The AN5763 is one of the AN5700 series for 12V-operating Black/White TV. They are integrated circuits designed for B/W TV vertical deflection signal processing and output circuit.

### Features

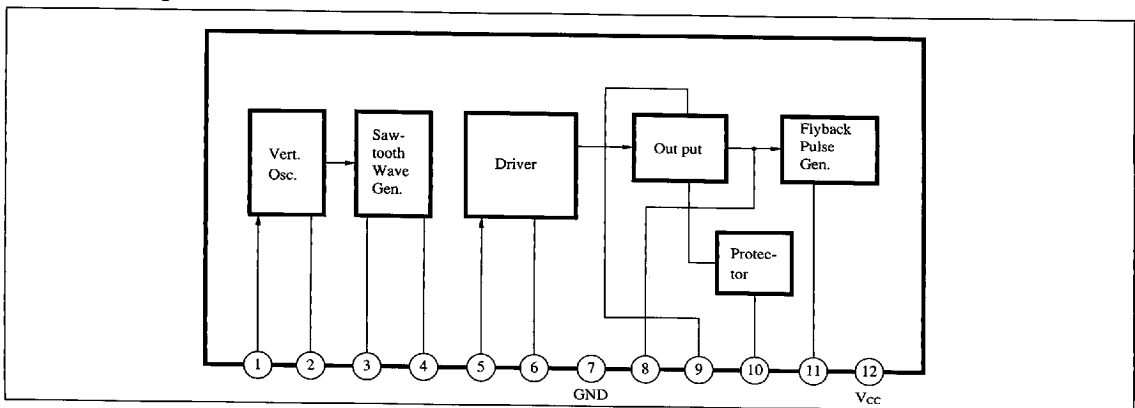
- Flyback pulse processing is highly efficient by pulse-up system.
- Level switch type oscillator circuit is incorporated, realizes economical circuitry with fewer external components.
- Vertical oscillator circuit featuring has highly stable operation against the change in temperature and supply voltage



### Pin Descriptions

Pin No.	Pin name
1	Sync. input
2	Saw-tooth wave generation
3	Adj. for linearity
4	Vert. Osc. output
5	Input for vert. amp.
6	Decoupling
7	GND
8	Vert. output
9	Voltage source for vert. circuit
10	Protector
11	BLK pulse output
12	V <sub>cc</sub>

### Block Diagram



6932852 0014404 762

Panasonic

### ■ Absolute Maximum Ratings (Ta=25°C)

Parameter		Symbol	Rating	Unit
Supply voltage		V <sub>CC</sub>	15.6	V
Power dissipation (Ta=70°C)		P <sub>D</sub>	1330	mW
Temperature	Operating ambient temperature	T <sub>opr</sub>	-20 to +70	°C
	Storage temperature	T <sub>stg</sub>	-40 to +150	°C

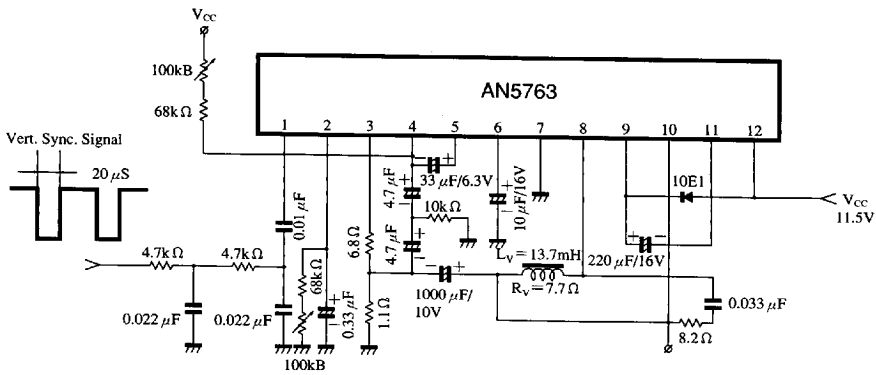
### ■ Electrical Characteristics (Ta=25°C)

Parameter	Symbol	Condition	min	typ	max	Unit
Circuit current (1)	I <sub>12</sub>	V <sub>CC</sub> =11.5V, no-load	8.5	13.5	18.5	mA
Circuit current (2)	I <sub>12</sub>	V <sub>CC</sub> =11.5V, R <sub>L</sub> =25Ω	350	400	450	mA
Vertical oscillation-start voltage	V <sub>OSC-S(V)</sub>	It shall be within f <sub>VO</sub> =47 to 70Hz.	5.0	—	—	V
Vertical oscillation frequency	f <sub>VO</sub>	V <sub>CC</sub> =11.5V	48	50	52	Hz
f <sub>VO</sub> supply voltage dependency	Δf <sub>VO</sub> /V <sub>CC</sub>	f <sub>VO</sub>  9.2V - f <sub>VO</sub>  13.8V	—	0	1	Hz
f <sub>VO</sub> ambient temperature dependency	Δf <sub>VO</sub> /Ta	f <sub>VO</sub>  -20°C - f <sub>VO</sub>  60°C	—	0	1	Hz
Vertical output pulse width	τ (VO)	V <sub>CC</sub> =11.5V, Sync. state	250	330	400	μs
Vertical pull-in range	f <sub>VP</sub>	V <sub>CC</sub> =11.5V, Sync. state	18	20	—	Hz
Deflection current (Peak)	I <sub>y (P-P)</sub>	V <sub>CC</sub> =11.5V, Sync. state R <sub>H</sub> =88kΩ	665	715	750	mA <sub>P-P</sub>
Center voltage	V <sub>MID</sub>	V <sub>CC</sub> =11.5V, Sync. state R <sub>H</sub> =96.4kΩ	5.3	5.65	6.0	V
Flyback pulse amplitude	V <sub>(FBP)</sub>	V <sub>CC</sub> =11.5V, Sync. state R <sub>H</sub> =96.4kΩ	20	21.5	—	V
Blanking pulse width	τ (BLP)	V <sub>CC</sub> =11.5V, Sync. state R <sub>H</sub> =96.4kΩ	690	760	840	μs
Output Tr. saturation voltage	V <sub>I2-8</sub>	V <sub>CC</sub> =11.5V, R <sub>L</sub> =25Ω	—	2.0	2.3	V

6932852 0014405 6T9

Panasonic

■ Application Circuit



ICs for TV

■ 6932852 0014406 535 ■  
**Panasonic**