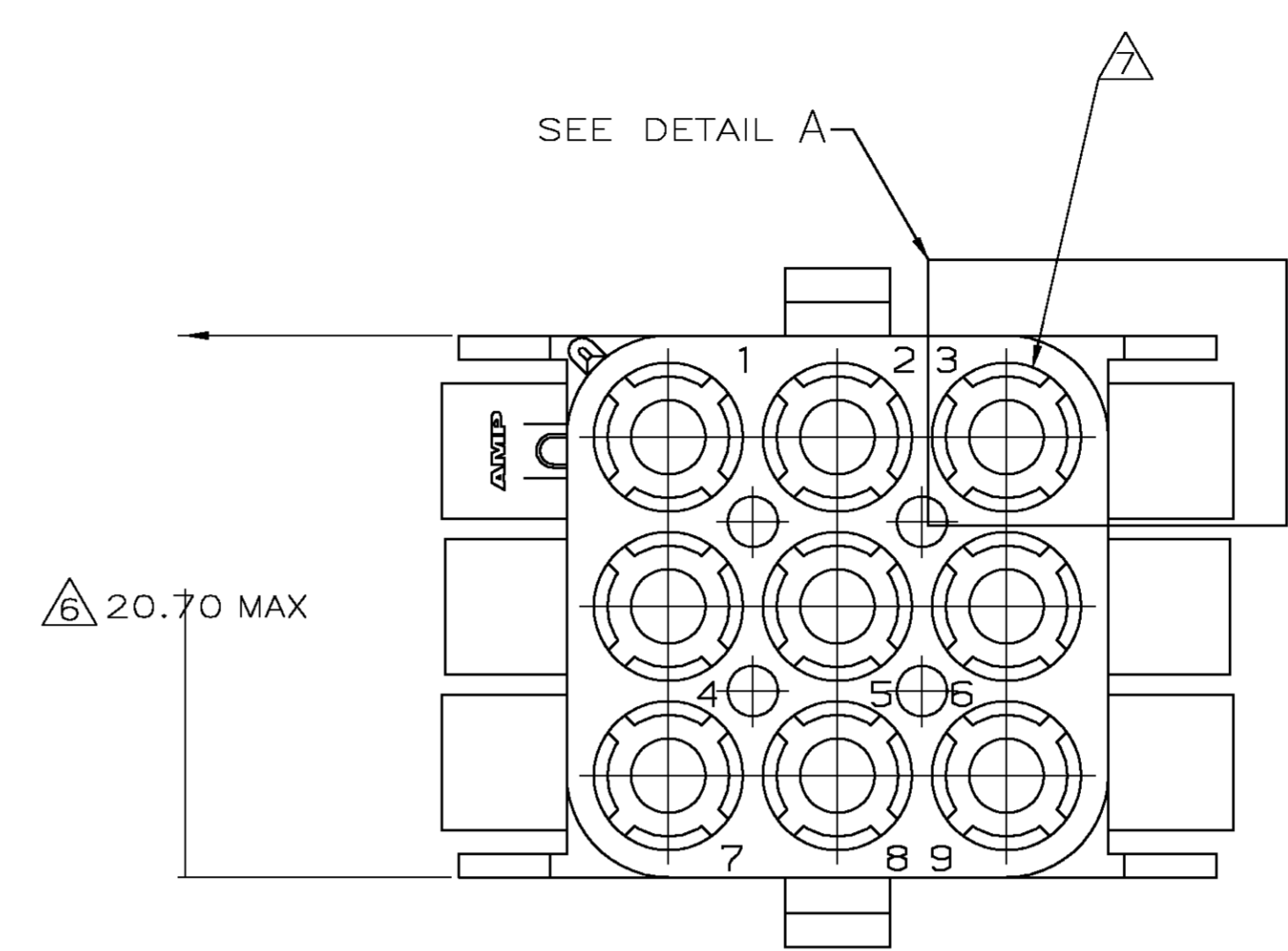
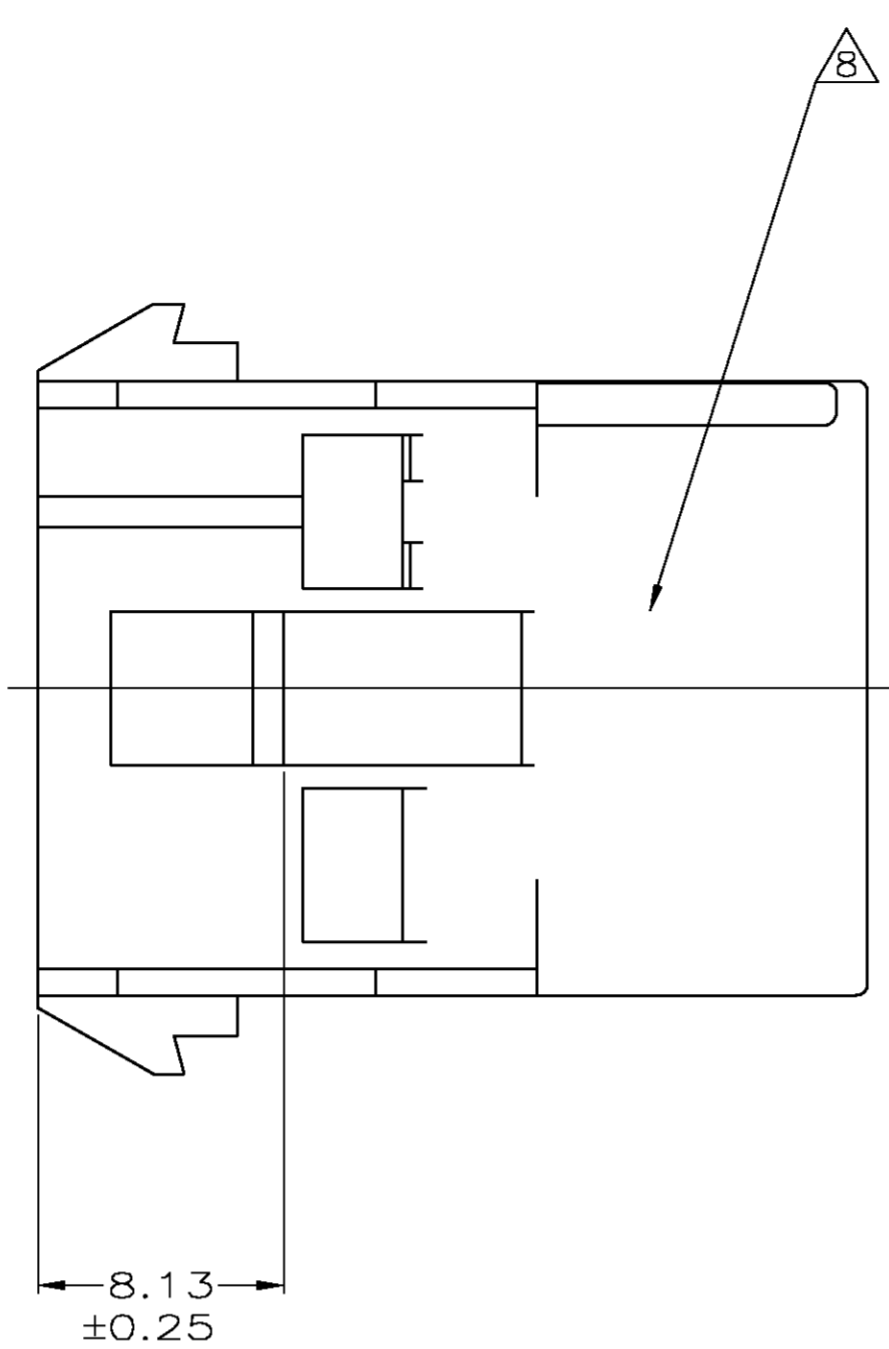
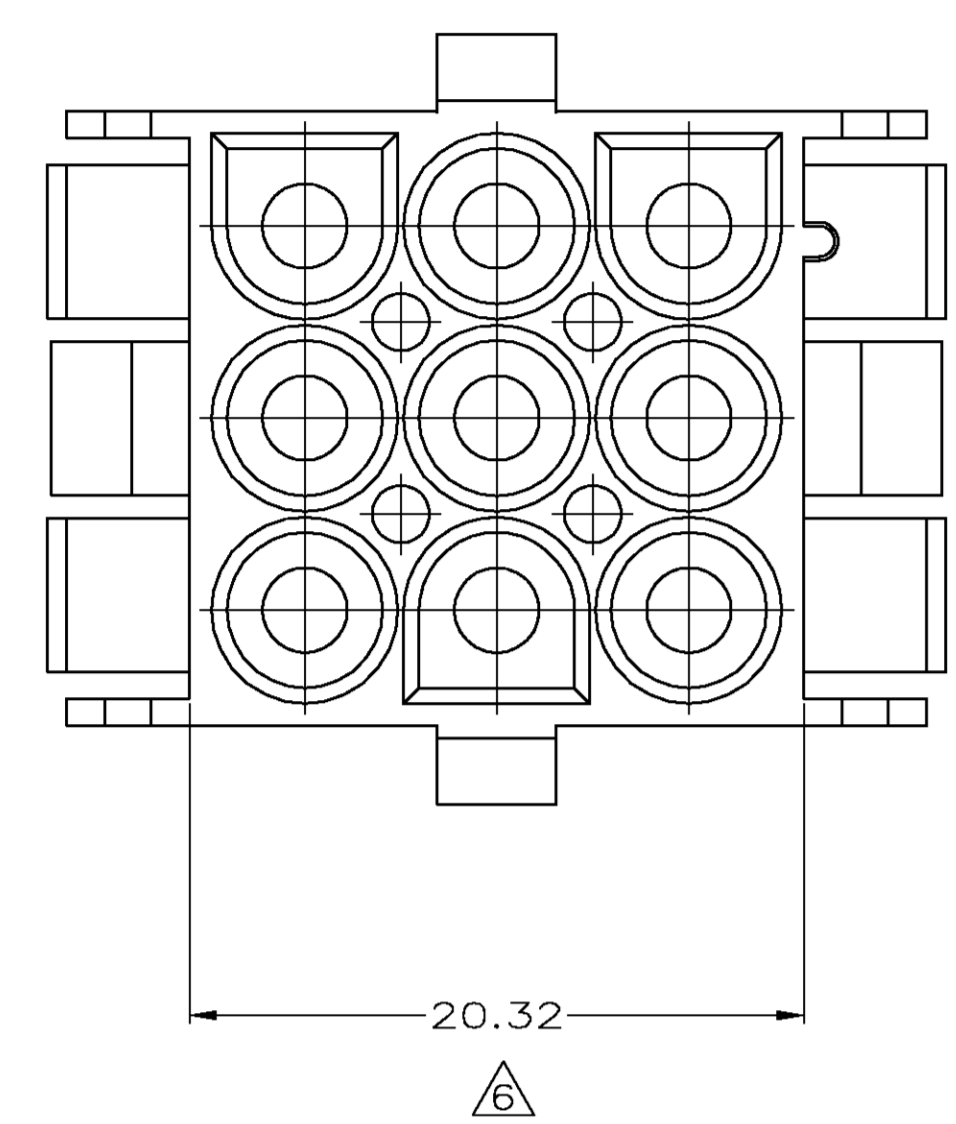
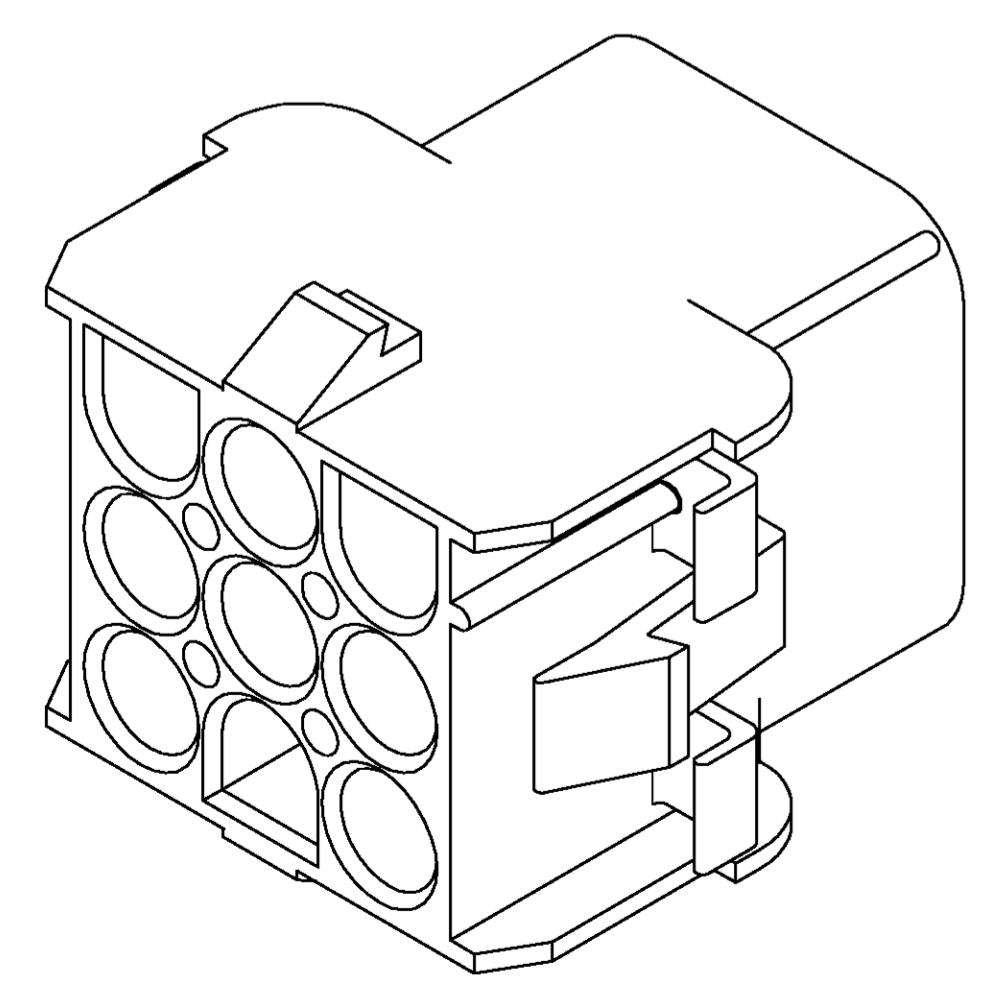
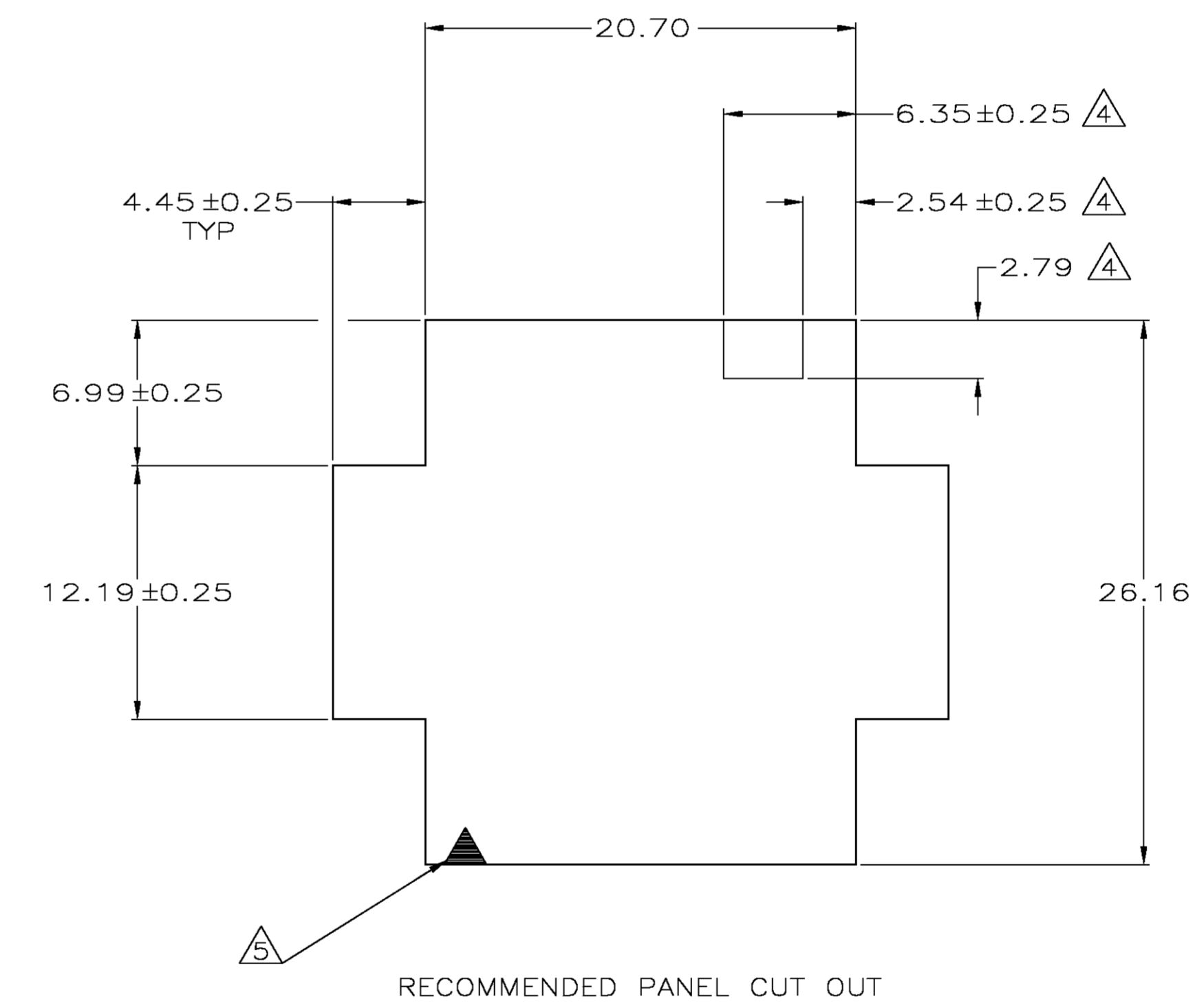
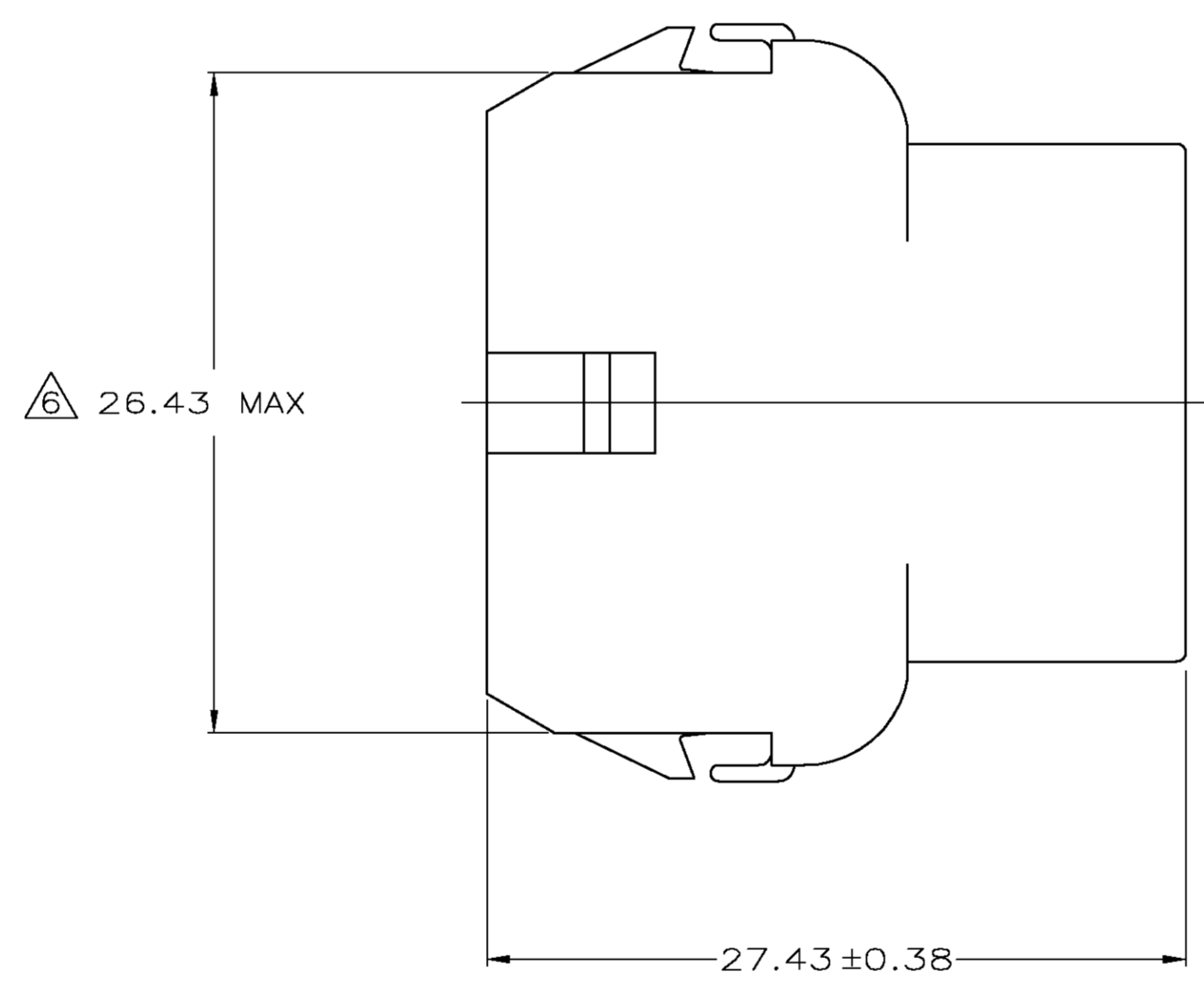
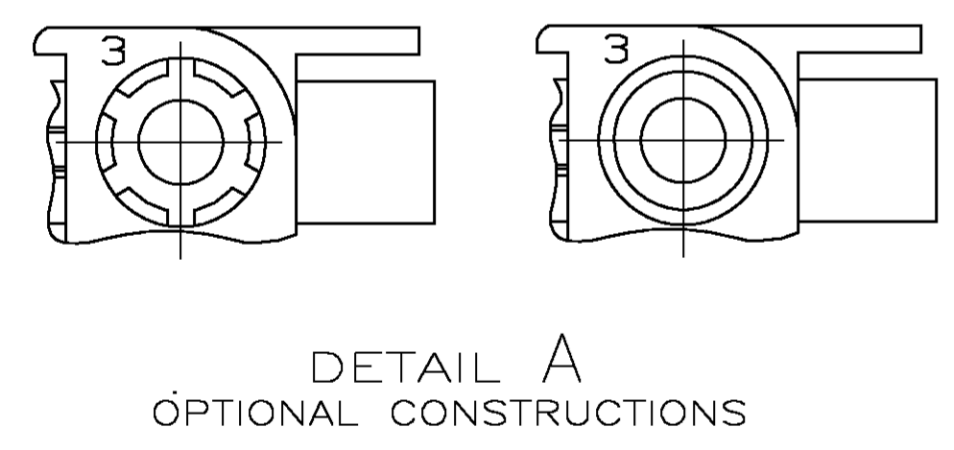


LOC		DIST		REVISIONS			
P	LR	DESCRIPTION	DATE	DN	APD		
AJ		REVISED PER 063B-0448-04	29JUL04	KW	SR		



- MATES WITH APPROPRIATE UNIVERSAL MATE-N-LOK™ PLUG.
 - RECOMMENDED PANEL THICKNESS 0.76 - 2.29.
 - PANEL MUST BE PUNCHED SO THAT THE HOUSING ENTERS THE PANEL IN THE SAME DIRECTION AS THE PUNCH.
- △ 4 OPTIONAL FOR KEYING HOUSING IN PANEL.
 - △ 5 CIRCUIT NUMBER 1 LOCATION.
 - △ 6 DIMENSION REPRESENTS POTENTIAL MAXIMUM GROWTH DUE TO MOISTURE ABSORPTION.
 - △ 7 FOUR RIBS EQUALLY SPACED, NO SPECIFIC ORIENTATION. NO RIBS OR SIX RIBS EQUALLY SPACED, NO SPECIFIC ORIENTATION, OPTIONAL.
 - △ 8 UNDERWRITERS RECOGNIZED COMPONENT LOGO AND CSA CERTIFICATION LOGO TO BE LOCATED ONCE EACH ON SIDE OF HOUSING.



3-DIMENSIONAL MODEL
NTS

MM	IN	MM	IN
6.35	.250	27.43	1.080
4.45	.175	26.43	1.041
2.79	.110	26.16	1.030
2.54	.100	20.70	.815
2.29	.090	20.32	.800
0.76	.030	12.19	.480
0.38	.015	8.13	.320
0.25	.010	6.99	.275
MM	IN	MM	IN

CONVERSION TABLE

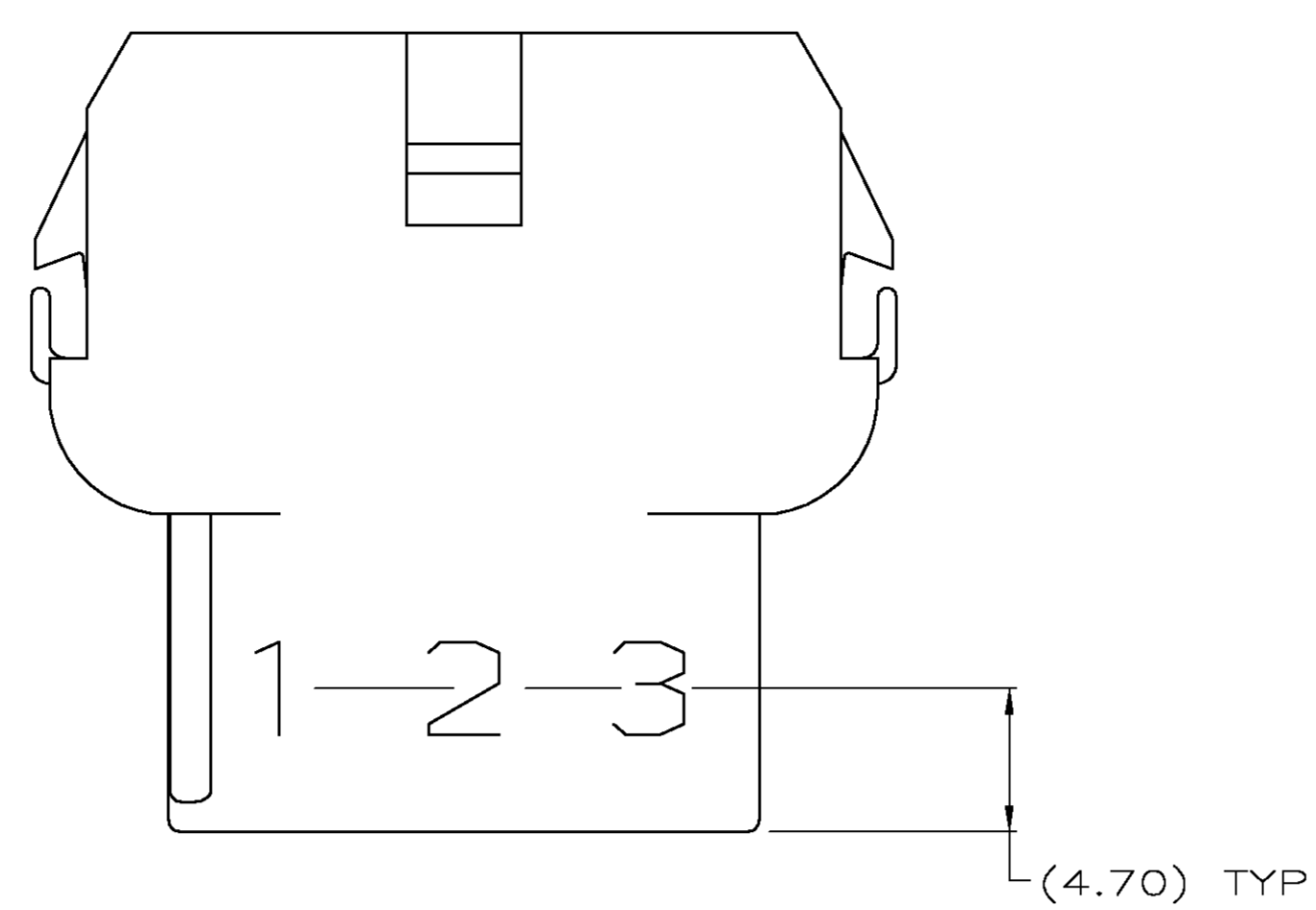
METRIC

BLACK	1-480707-9
RED	1-480707-2
BROWN	1-480707-1
NATURAL	1-480707-0
COLOR	PART NO

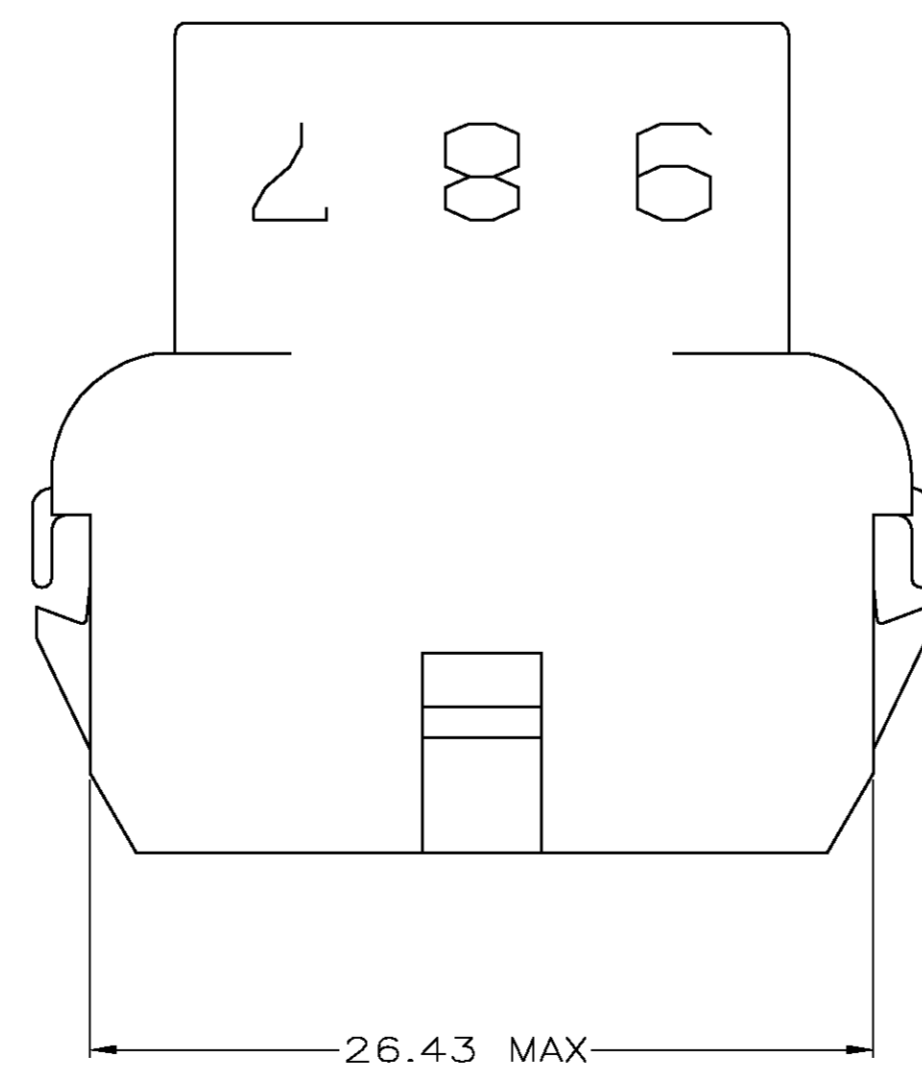
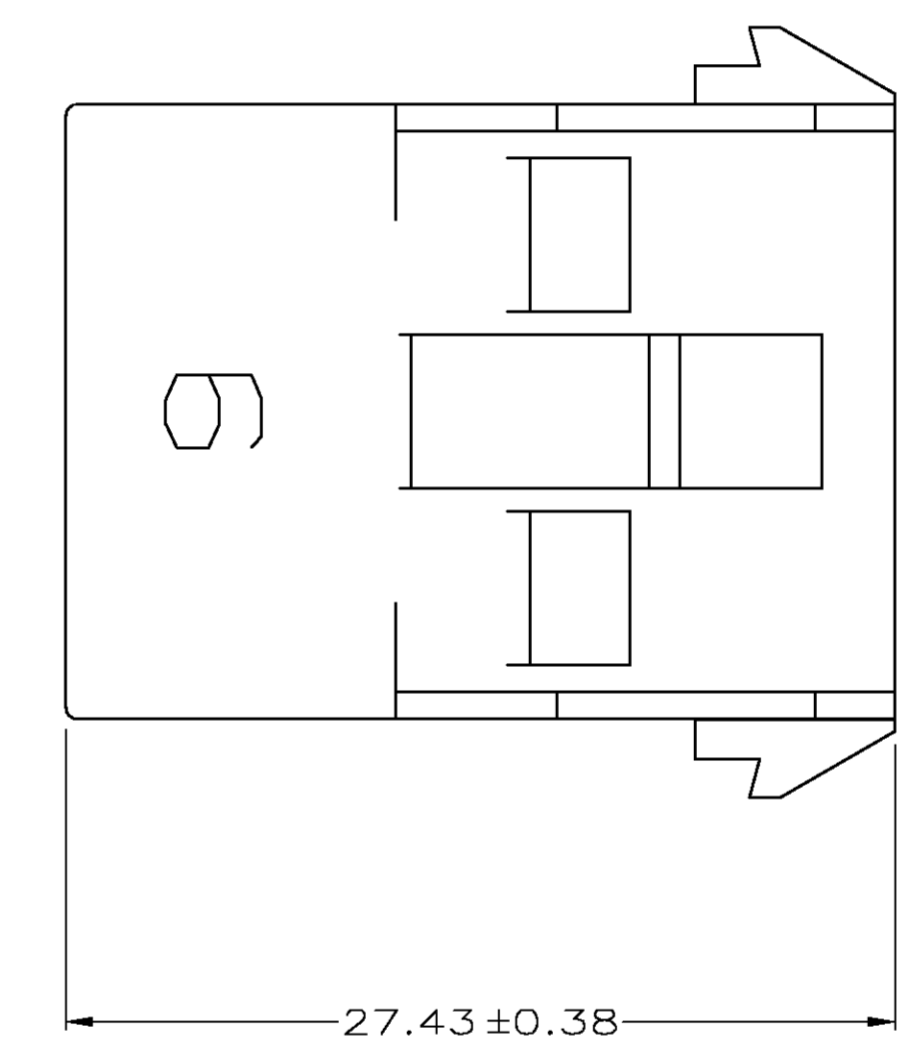
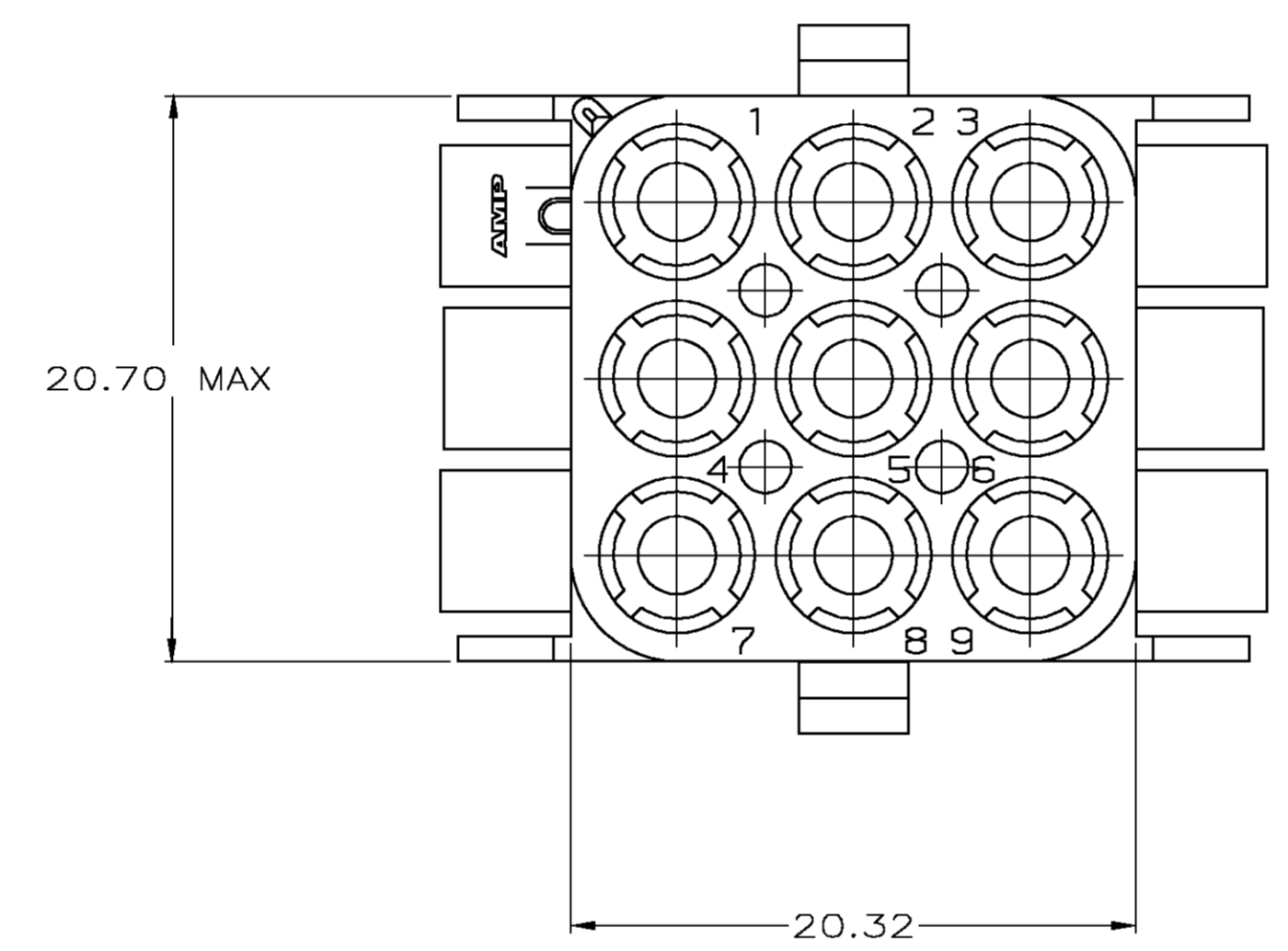
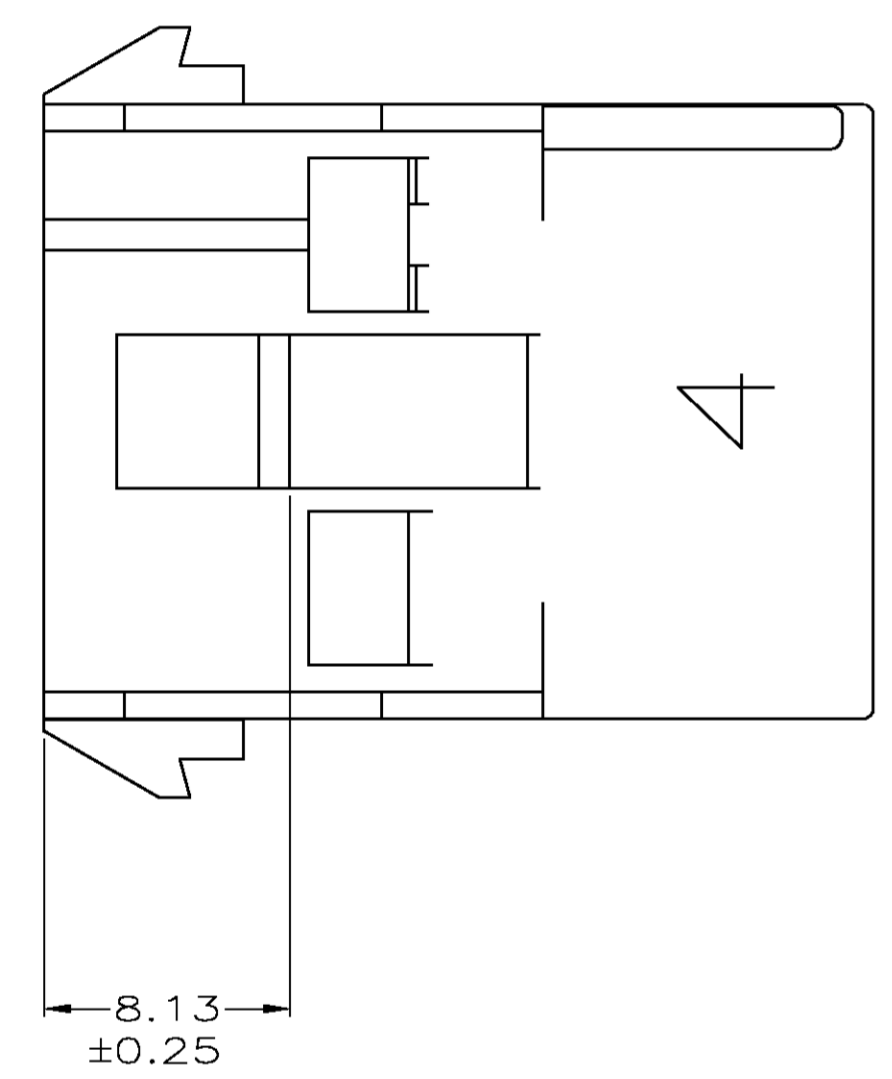
THIS DRAWING IS A CONTROLLED DOCUMENT.

DIMENSIONS:	TOLERANCES UNLESS OTHERWISE SPECIFIED:	DWG	K. WHITAKER	29JUL2004		Tyco Electronics Corporation Greensboro, NC 27409
mm	0 PLC ± - 1 PLC ± - 2 PLC ± ± 0.13 3 PLC ± ± - 4 PLC ± ± - ANGLES ± ± 0.30°	CHK	S. RIDGILL	29JUL2004		NAME
		APD	S. RIDGILL	29JUL2004	PRODUCT SPEC	
MATERIAL	NYLON, UL94V-2	FINISH	-	APPLICATION SPEC	SIZE	CAGE CODE
		WEIGHT	-	RESTRICTED TO	A1	00779
		CUSTOMER DRAWING	SCALE	4:1	SHEET	1 OF 2

LOC		DIST		REVISIONS			
P	LR	DESCRIPTION	DATE	DRN	APVD		
-	-	SEE SHEET 1	-	-	-	-	-



1. STAMP NUMBERS 3.18 HIGH AT WIRE END OF HOUSING (12 POINT DAVID TYPE); CLARIFICATION MARKS UNDER THE 6 & 9.
2. CHARACTERS TO BE STAMPED ON HOUSING IN A MANNER AS TO BE READ FROM WIRE END ONLY.
3. VIOLET, BLACK, BROWN, AND BLUE COLORED BLOCKS TO BE STAMPED WITH WHITE CHARACTERS. ALL OTHER COLORED BLOCKS TO BE STAMPED WITH BLACK CHARACTERS.



METRIC

MM	IN	MM	IN
5.08	.200	-	-
4.70	.185	27.43	1.080
3.18	.125	26.43	1.041
0.38	.015	20.70	.815
0.25	.010	20.32	.800
0.13	.005	8.13	.320

CONVERSION TABLE

NATURAL	2-480707-0
COLOR	PART NO

THIS DRAWING IS A CONTROLLED DOCUMENT.

DIMENSIONS:	TOLERANCES UNLESS OTHERWISE SPECIFIED:	DRN	29JUL2004		Tyco Electronics Corporation Greensboro, NC 27409
mm	0 PLC ± - 1 PLC ± - 2 PLC ± - 3 PLC ± 0.13 4 PLC ± - ANGLES ± 0.30°	CHK	29JUL2004		
		APVD	29JUL2004	NAME	
MATERIAL		APPLICATION SPEC		CAP, 9 CIRCUIT, UNIVERSAL MATE-N-LOK™	
FINISH		WEIGHT		SIZE	CAGE CODE
		CUSTOMER DRAWING		A1	00779
				SCALE	4:1
				SHEET	2 OF 2
				REV	AJ