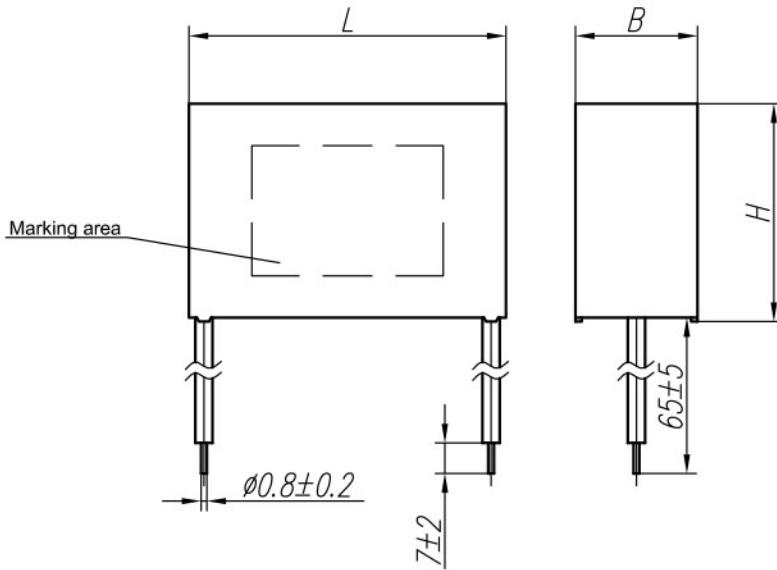


AC METALLIZED POLYPROPYLENE FILM CAPACITORS FOR MOTOR APPLICATIONS

Version 02

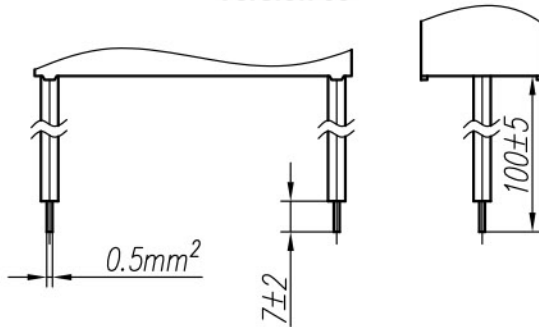


Capacitor dimensions

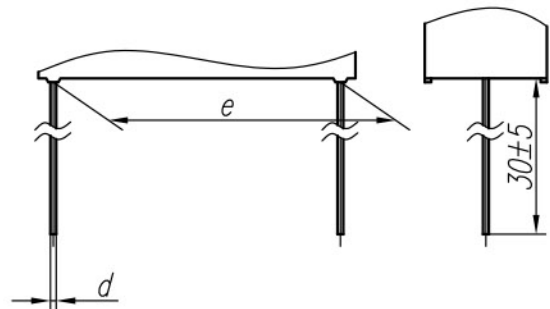
Rated Capacitance μF	Dimensions				
	B ± 1	H ± 1	L ± 1	d ± 0.2	e ± 0.5
	ver. 04				
	mm	mm	mm	mm	mm
0.5	11.5	20.5	31.5	0.8	27.5
0.68		24.5			
1	15	24.5	41.4		
1.5	16	28.5			
2		28.5			
2.5	17.9	33	42.1		1
3		33			
3.5	33				
4	21	38	42.1	1	38
4.5					
5					
5.5	21	38	42.1	1	38
6					

Other lengths of leads as well as other dimensions of capacitors and other capacitances from the given range are available at the customer's request.

Version 03



Version 04



TECHNICAL DATA:

- Capacitance tolerance:
 - $\pm 5\%$; $\pm 10\%$,
 - Rated voltage U_R :
 - 400V / 450V / 50Hz,
 - Climatic category:
 - 25/85/21 / 400V~ acc. to PN-EN 60068-1,
 - 25/70/21 / 450V~ acc. to PN-EN 60068-1,
 - Tangent of the loss angle at 1V / 1kHz:
 - $\leq 0,001$
 - Rated temperature:
 - $+85^\circ\text{C}$ / 400V~,
 - $+70^\circ\text{C}$ / 450V~,
 - Dielectric strength between terminals:
 - $2 U_R - 60\text{s}$,
 - Case:
 - plastic,
 - Terminals:
 - version 02 - Cu wire, tinned in PCV insulation
 - version 03 - Cu stranded wire in PVC insulation, with tinned tip
 - version 04 - Cu wire, tinned
 - Application class:
 - C (3000h) 400V~,
 - D (1000h) 450V~,
 - Safety class:
 - P0,
 - The capacitors meet the requirements of:
 - PN-EN 60252-1.
- This product fulfils the requirements of the RoHS Directive (2002/95/EC).

Revision date
18.07.2008