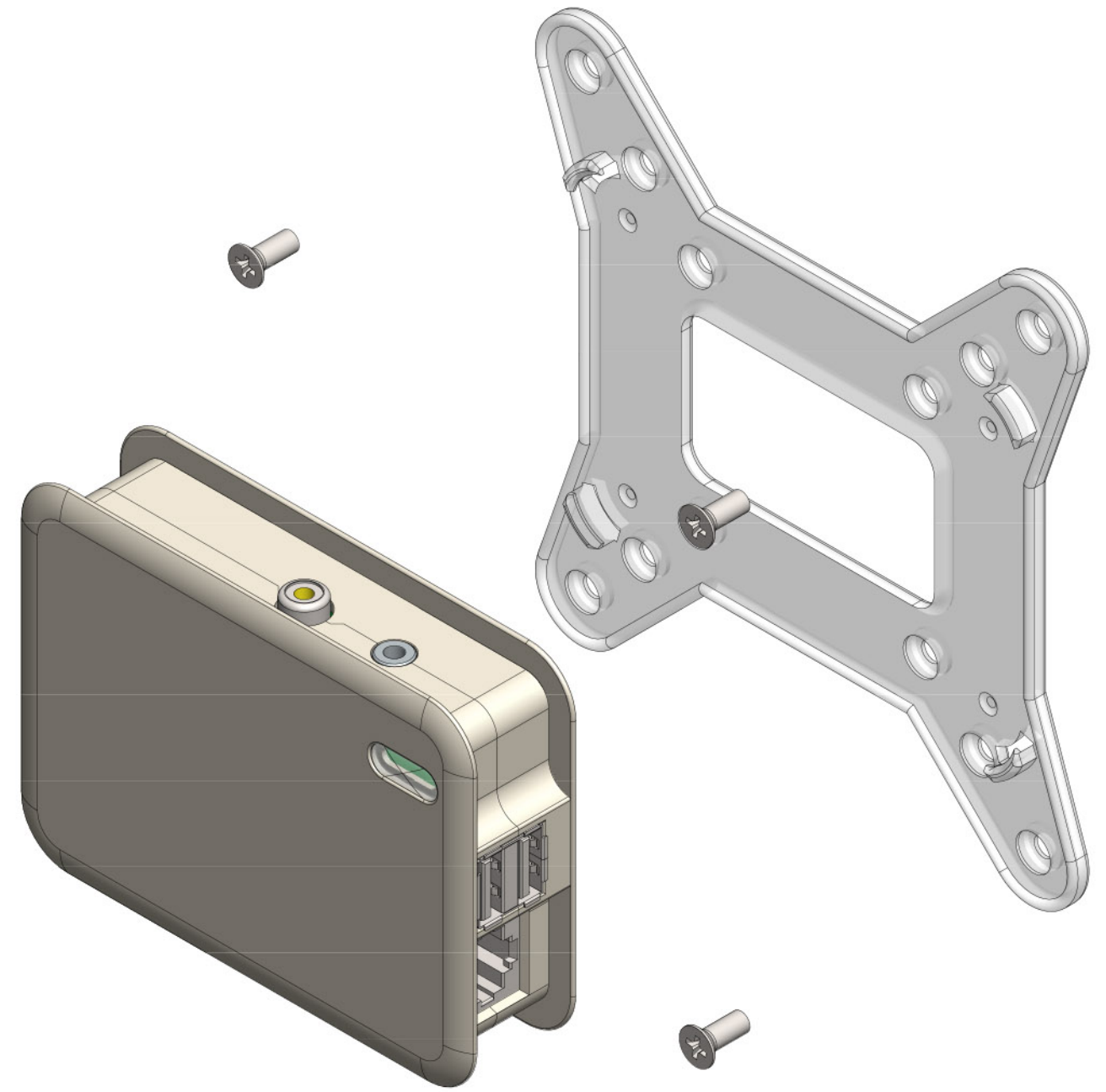
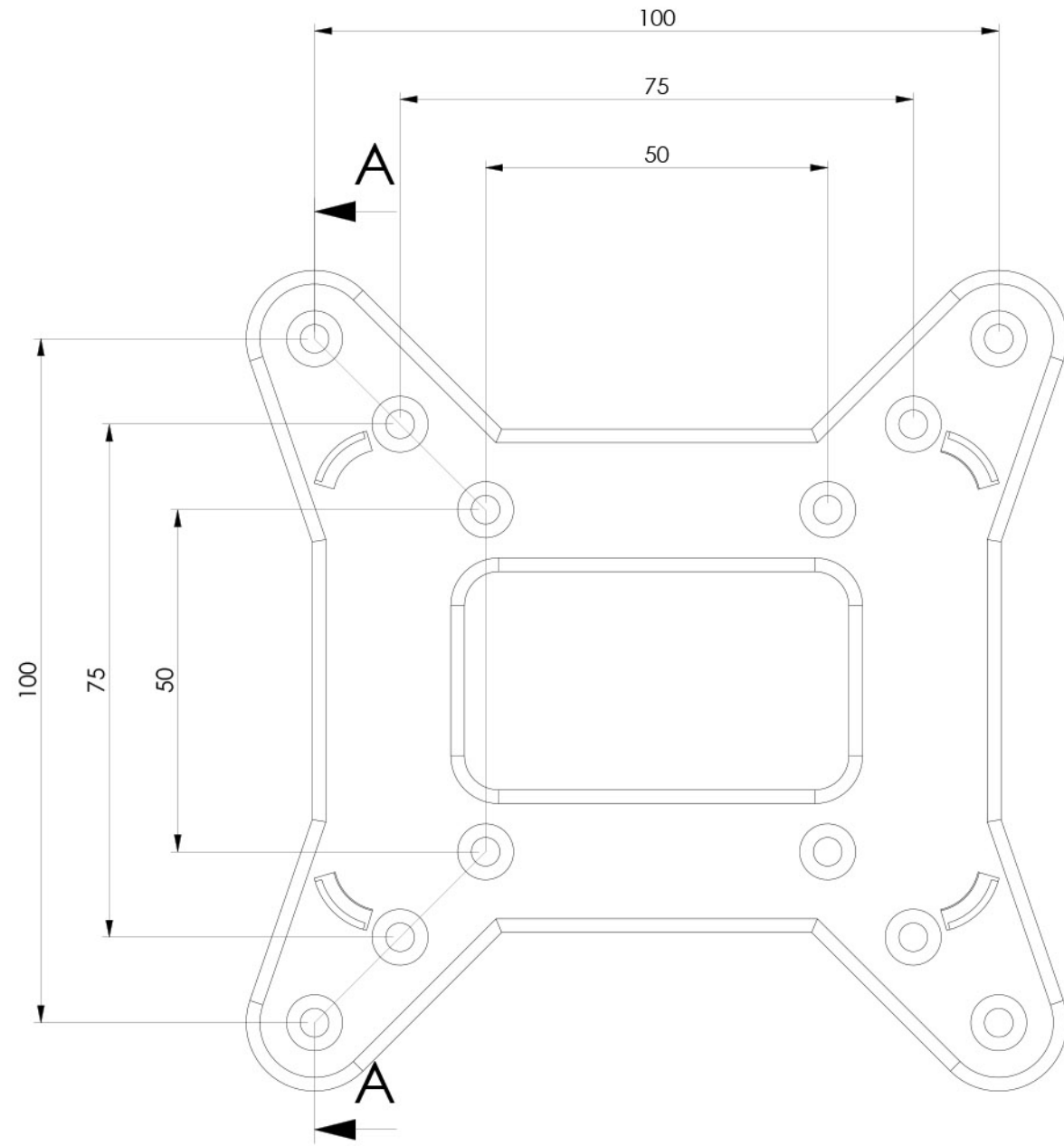


A-A



<p><i>Subject to technical modification without prior notice.          Tipographical and others errors do not justify any claim for damages.          All dimensions should be verified using an actual moulded part.</i></p>			
Part Number:	Date:	Sheet:	First angle prj.
RPI-VESA	25/02/2013	1 of 1	
Size:	A3	Scale:	1:1