

Professional Crimping Tool Ratchet Type

- Die sets are interchangeable, except HT-301
- OEM/Custom designs are welcome

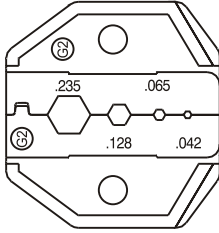
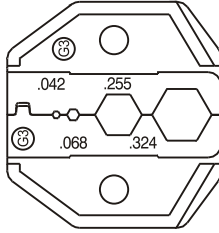
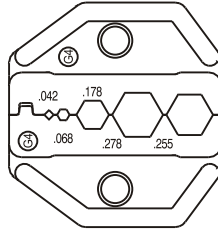


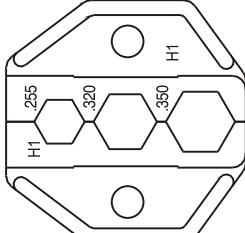
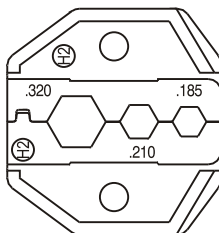
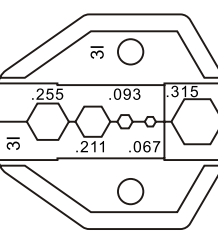
HT-336FM
(Frame only)
8.7" (220mm)

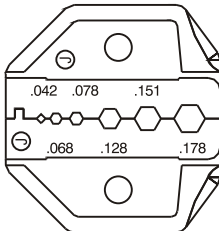
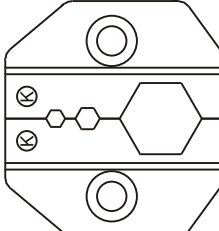
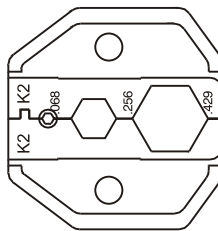
Item No	HT-5133A/HT-336A	HT-5133A4/HT-336A4	HT-5133C/HT-336C
Die P/N	3A	3A4	3C
Specifications	.256"/.068"/.213" 6.50/1.73/5.41mm	.255"/.187"/.068"/.213" 6.48/4.75/1.73/5.41mm	.256"/.319"/.068"/.213" 6.50/8.10/1.73/5.41mm
Crimping cable size	RG58,59,62	RG58,59,62,174	RG58,59,62,6

Item No	HT-5133C1/HT-336C1	HT-5133C2/HT-336C2	HT-5133D/HT-336D
Die P/N	3C1	3C2	3D
Specifications	.068"/.216"/.324"/.360" 1.73/5.49/8.23/9.14mm	.068"/.262"/.324"/.360" 1.73/6.65/8.23/9.14mm	.213"/.256"/.068"/.324" 5.41/6.50/1.73/8.23mm
Crimping cable size	RG58,59,62,6	CATV" F" Connectors RG59,6	RG58,59,62,6

Professional Crimping Tool Ratchet Type

Item No	HT-5133G2/HT-336G2	HT-5133G3/HT-336G3	HT-5133G4/HT-336G4
			
Die P/N	3G2	3G3	3G4
Specifications	.235"/.128"/.065"/.042" 5.97/3.25/1.65/1.07mm	.042"/.068"/.255"/.324" 1.07/1.73/6.48/8.23mm	.042"/.068"/.178"/.278"/.255" 1.07/1.73/4.52/7.06/6.48mm
Crimping cable size	RG58,174,139,185	RG174,58,59,6	RG59, 62, 174

Item No	HT-5133H1/HT-336H1	HT-5133H2/HT-336H2	HT-5133I/HT-336I
			
Die P/N	3H1	3H2	3I
Specifications	.255"/.320"/.350" 6.48/8.13/8.89mm	.320"/.210"/.185" 8.13/5.33/4.70mm	.255"/.211"/.093"/.067"/.315" 6.46/5.36/2.36/1.70/8.0mm
Crimping cable size	CATV F Connectors RG59,6	RG58, 6	RG58,59,6,174

Item No	HT-5133J/HT-336J	HT-5133K/HT-336K	HT-5133K2/HT-336K2
			
Die P/N	3J	3K	3K2
Specifications	.042"/.068"/.078"/.128"/ .151"/.178" 1.07/1.73/1.98/3.25/ 3.84/4.52mm	.100"/.128"/.429" 2.54/3.25/10.90mm	.068"/.256"/.429" 1.73/6.50/10.90mm
Crimping cable size	RG174,179,Belden 8218 Fiber Optic	RG8,11,174,179,213	RG8, 11, 59, 62