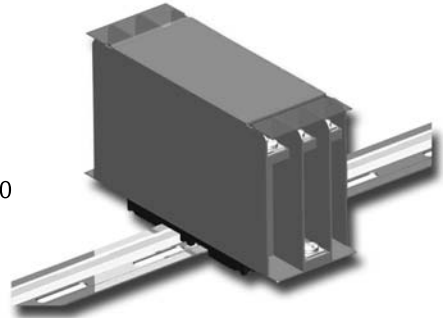


DTRF

Low Leakage Current Three Phase Filter for Industrial Applications

General Specifications

- Maximum operating voltage: 520Vac
- Operating frequency: DC - 60Hz
- Hipot test voltage:
L/N->PE: 2000 Vac 2s
L->N: 2250 Vdc 2s
- Application class: HMF Acc. TO DIN 40040
(-25°C/+100°C/95% RH, 30d)
- Flammability class: UL 94 V2



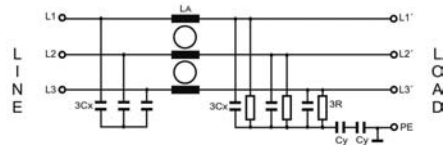
Applications

Servo drives
Three phase power supplies
Medical equipment

Features

DIN guide optional for rail mounted equipment
(DIN ended reference)
LL models for very low leakage current
NL models for better attenuation.

Electrical schematics



Product List

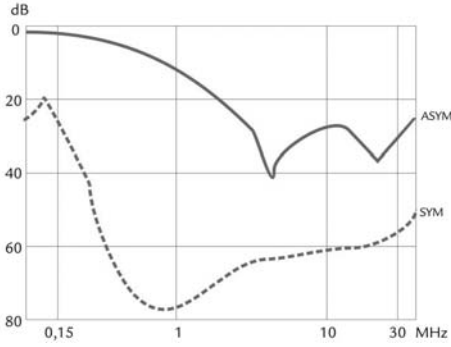
Type	Rated Current (A) @ 50 °c	Leakage Current (mA)	Power Losses (W)	Connection	Weight (Kg)	Housing
DTRF-020LL	20	<0,4	5,4	Terminal block 4-6 mm ² / AWG 12-10	0,56	61,63 DIN
DTRF-030LL	30	<0,4	6,2	Terminal block 8-10 mm ² / AWG 8-7	0,58	61,63 DIN
DTRF-050LL	50	<0,4	9,4	Terminal block 16-20 mm ² / AWG 5-4	0,98	62,64 DIN
DTRF-020NL	20	<2,5	5,4	Terminal block 4-6 mm ² / AWG 12-10	0,56	61,63 DIN
DTRF-030NL	30	<2,5	6,2	Terminal block 8-10 mm ² / AWG 8-7	0,58	61,63 DIN
DTRF-050NL	50	<2,5	9,4	Terminal block 16-20 mm ² / AWG 5-4	0,98	62,64 DIN

DTRF

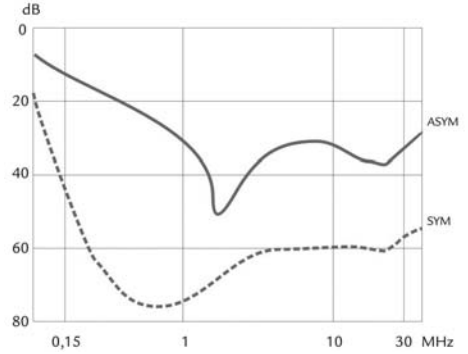
Low Leakage Current Three Phase Filter for Industrial Applications

Insertion Loss ——— ASYM
 - - - - - SYM

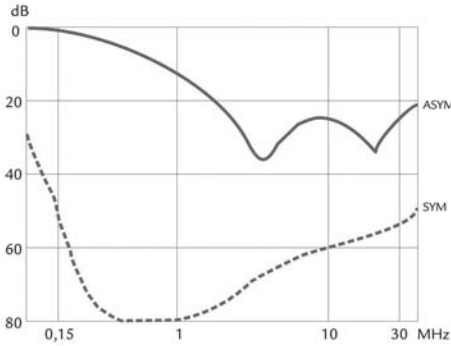
20A



20A HV



30/50A



30/50A HV

