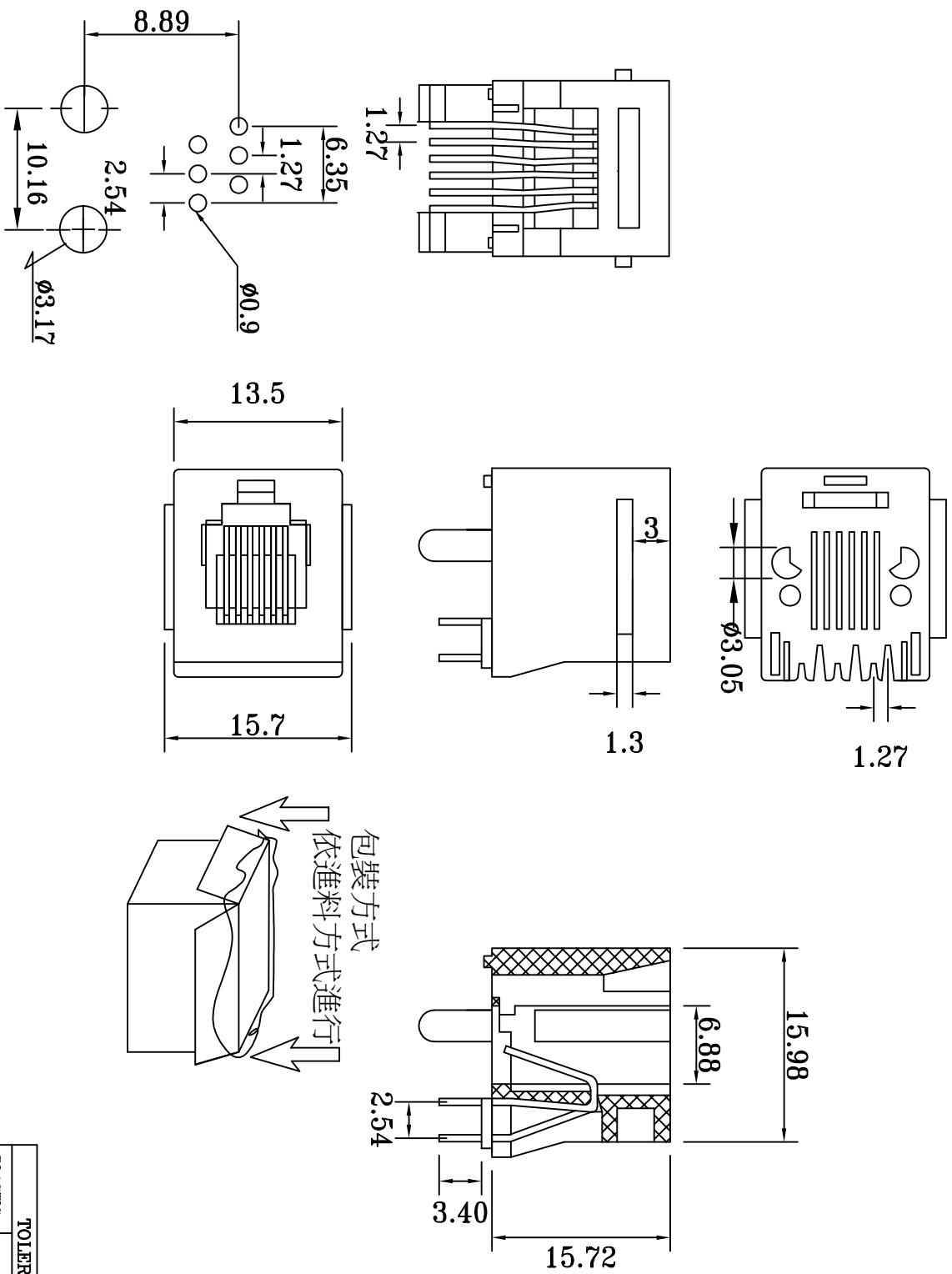


UNIT: MM



TOLERANCE GENERALES				
PLASTIC DIMENSION	X	X X	X X X	CABLE LENGTH
tolerance(+)	1	0.5	0.20	tolerance(+)
				2%

ITEM NO	ITEM	DESCRIPTION	UNIT QTY
B	HOUSING	GLASS FILLED POLYESTER UL 94V-0 STANDARD BLACK	PCS 1
A	CONTACT	0.48MM DIAMETER PHOSPHOR BRONZE ALLOY SELECTIVE 6U" OVER NICKEL OVER TIN	PCS 6

CHECKED	DRAW	NO.
INSPECTED	CUS.PART NO.	TF2066
APPROVED	CUSTOMER	DATE
TITLE	TL313BX662UXY/TF2066	04/04/07